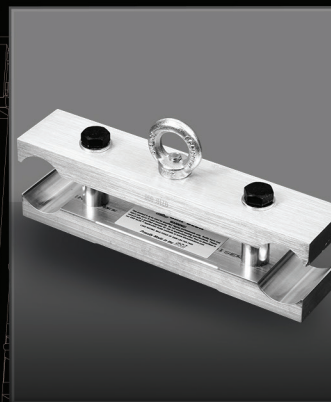
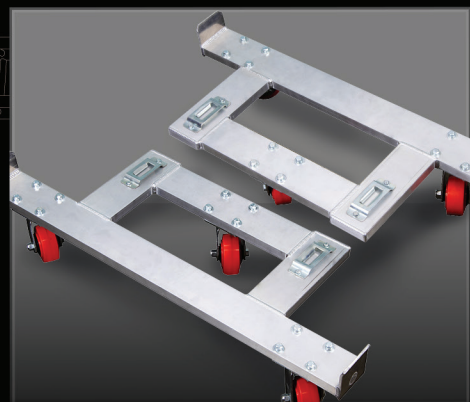
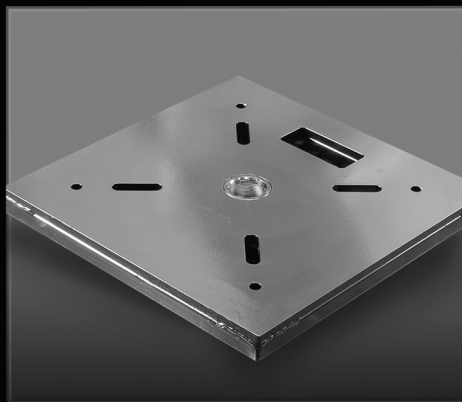
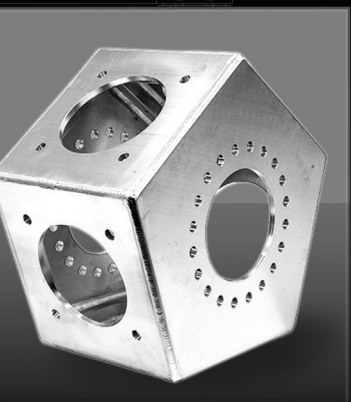
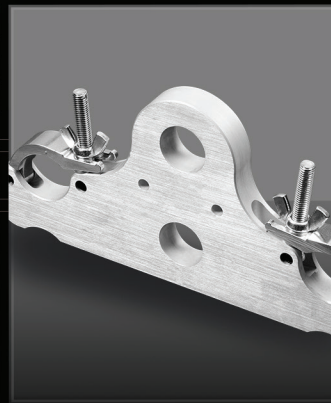
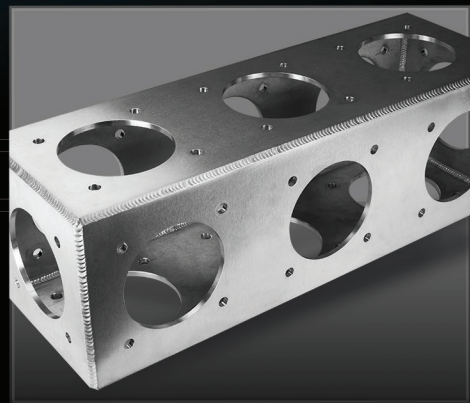
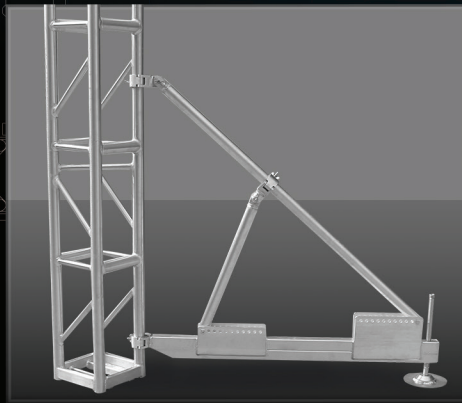
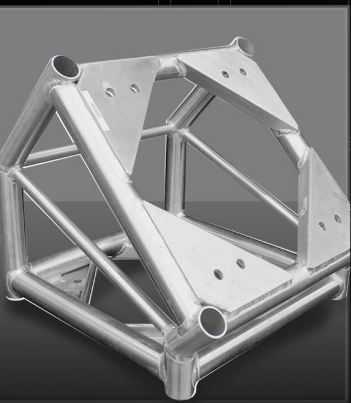
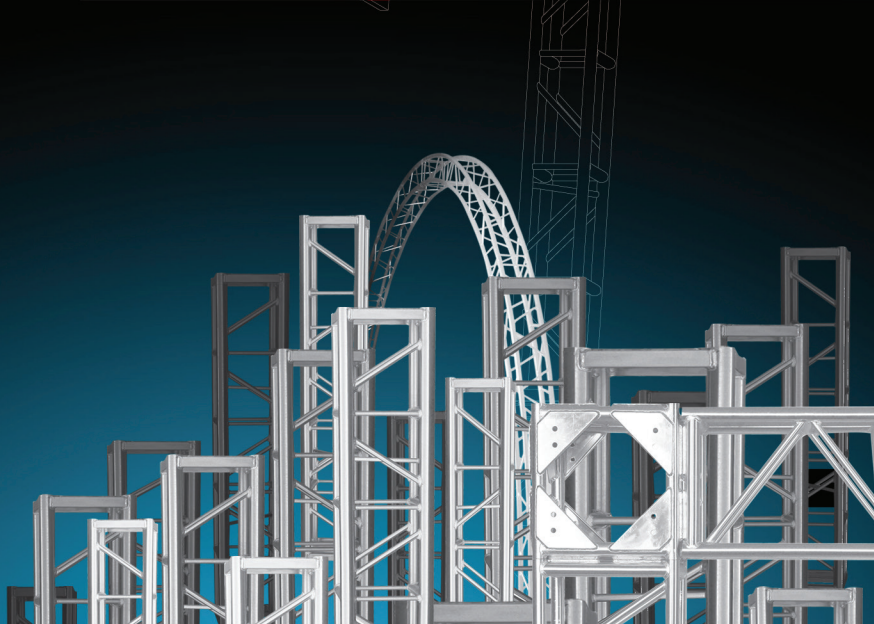




**SHOW[®]
SOLUTIONS**
STRONG STRUCTURAL SUPPORT MADE EASY!



www.ShowSolutions.com

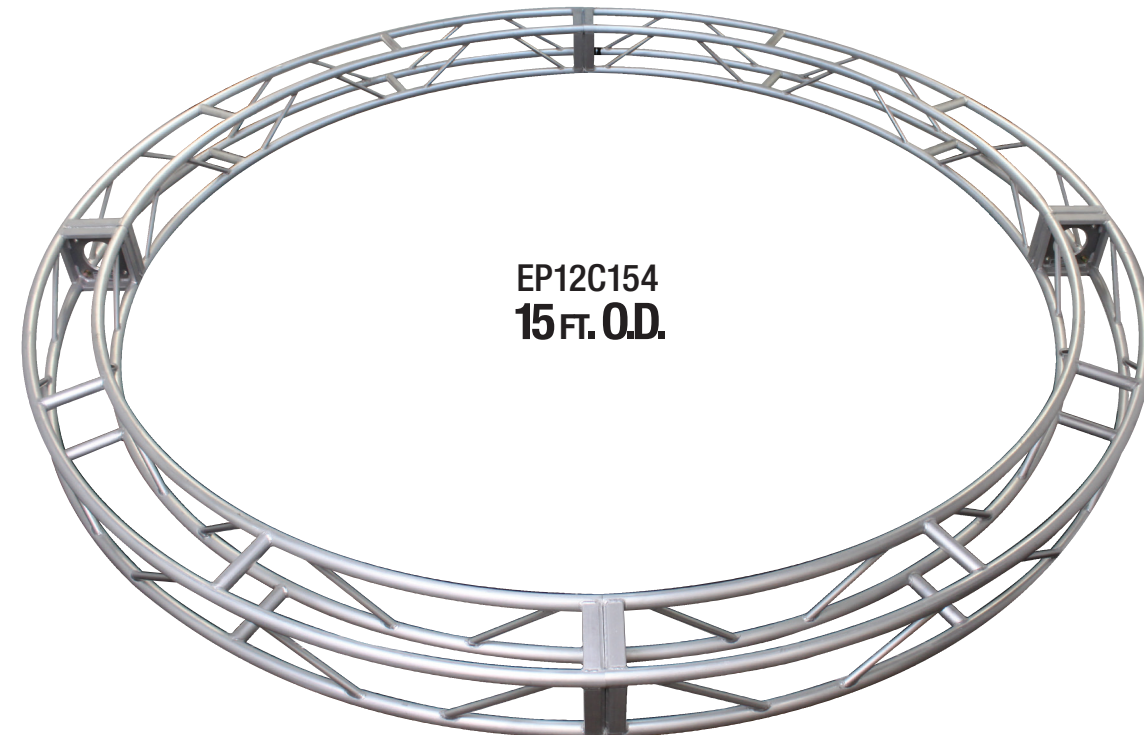




EP12C502
5 FT. O.D.



EP12C104
10 FT. O.D.



EP12C154
15 FT. O.D.

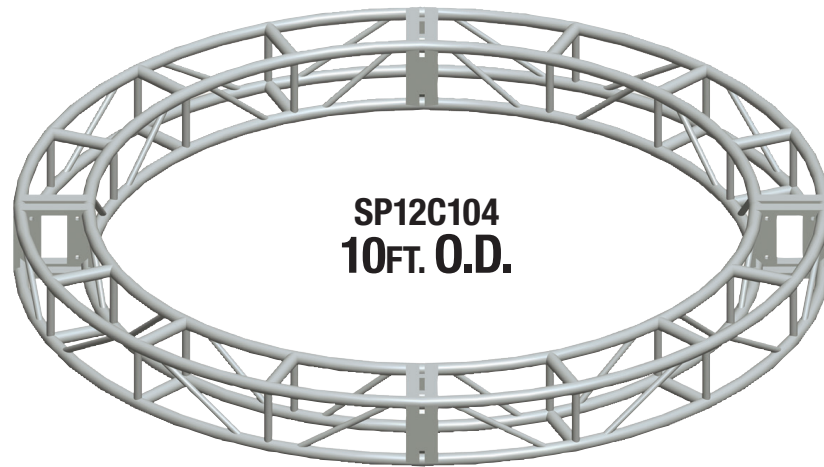
Our EP Circle Truss is a favorite choice of production houses and party/event companies, museums & retail store display design. Compatible with industry standard plated truss bolt pattern.

FEATURES

- Compatible with industry standard plated truss bolt pattern.
- 6061-T6 Aluminium Finish
- 12" x 12"
- 2" x 2 mm Wall Thickness Main Tube
- 1" x 0.125" Diagonal Brace

SKU	DESCRIPTION
EP12C50	5' diameter, 2 sections
EP12C104	10' diameter, 4 sections
EP12C154	15' diameter, 4 sections
EP12C208	20' diameter, 8 sections (not shown)

Bolts Included.
Call for Custom Size and Colors.



SP12C104
10FT. O.D.

Show Solutions specializes in custom circle truss configurations. We love custom.

Our ability to work with you in the design and production is what makes us the go-to company for custom circles from 5 feet to 100 feet, in the segments you want to work with as well.

And yes, we can custom powder coat to suit the project as well.

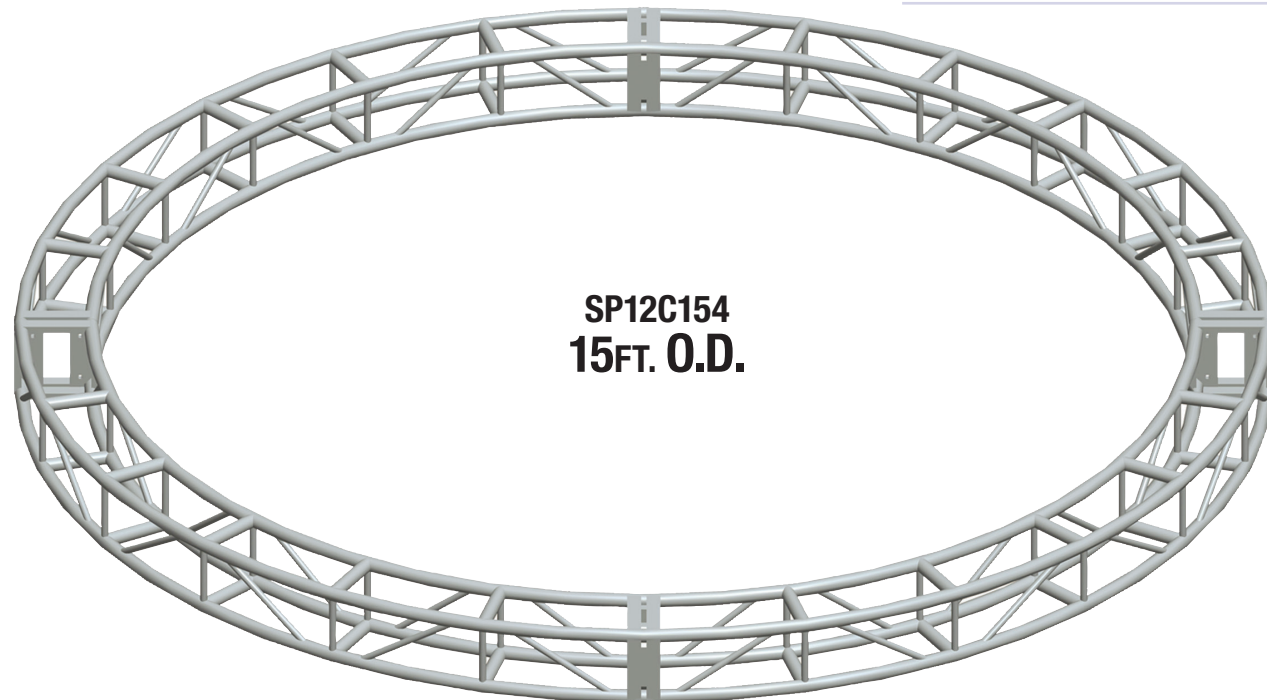
Our SP Pro Circle Truss is an industry standard used by concert tours, production houses, theatres, trade shows, houses of worship and large scale stage set-ups. Compatible with industry standard plated truss bolt pattern.

The 12" box 2" O.D main tube truss is made of 6061-T6 aluminium and is compatible with industry standard plated truss bolt pattern.

FEATURES

- Compatible with industry standard plated truss bolt pattern.
- 6061-T6 Aluminium Finish
- 12" x 12"
- 2" x 1/8" Main Tube
- 1" x 1/8" Diagonal Brace
- Bolts Included

SKU	DESCRIPTION
SP12C602	6' diameter, 2 sections (not shown)
SP12C104	10' diameter, 4 sections
SP12C154	15' diameter, 4 sections
SP12C208	20' diameter, 8 sections (not shown)



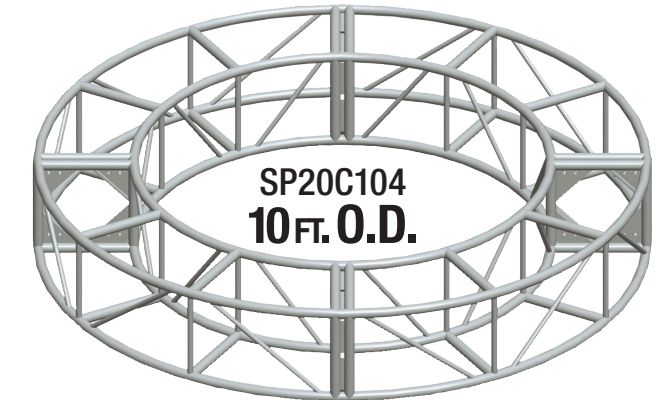
SP12C154
15FT. O.D.

Our SP Pro Circle Truss is built to the highest industry standards and is used in large scale production touring companies and utilized in concert venues worldwide.

FEATURES

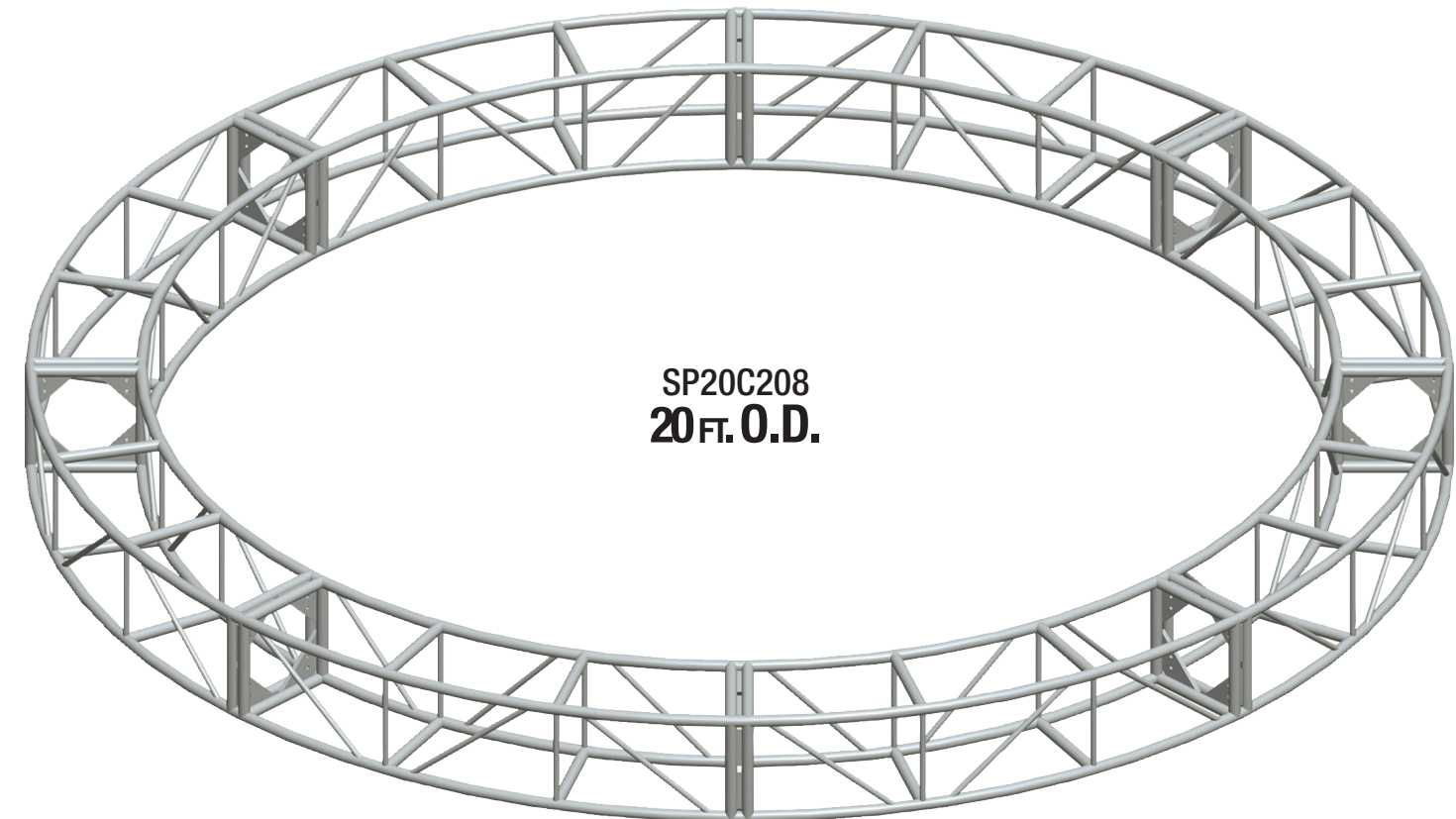
- Compatible with industry standard plated truss bolt pattern
- 6061-T6 Aluminium Finish
- 20.5" x 20.5" Square
- 2" x 1/8" Main Tube
- 1" x 1/8" Diagonal Brace
- Bolts Included

SKU	DESCRIPTION
SP20C104	10' diameter, 4 sections
SP20C208	20' diameter, 8 sections
SP20C4010	40' diameter, 10 sections (not shown)



SP20C104
10FT. O.D.

Custom Diameters and Colors Available. Call for a free quote.



SP20C208
20FT. O.D.

www.ShowSolutions.com
www.ShowSolutions.com

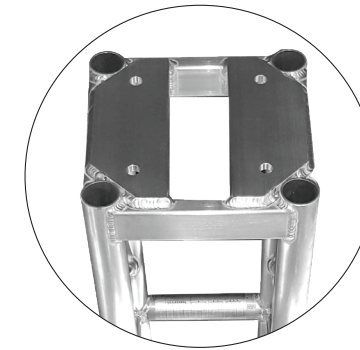
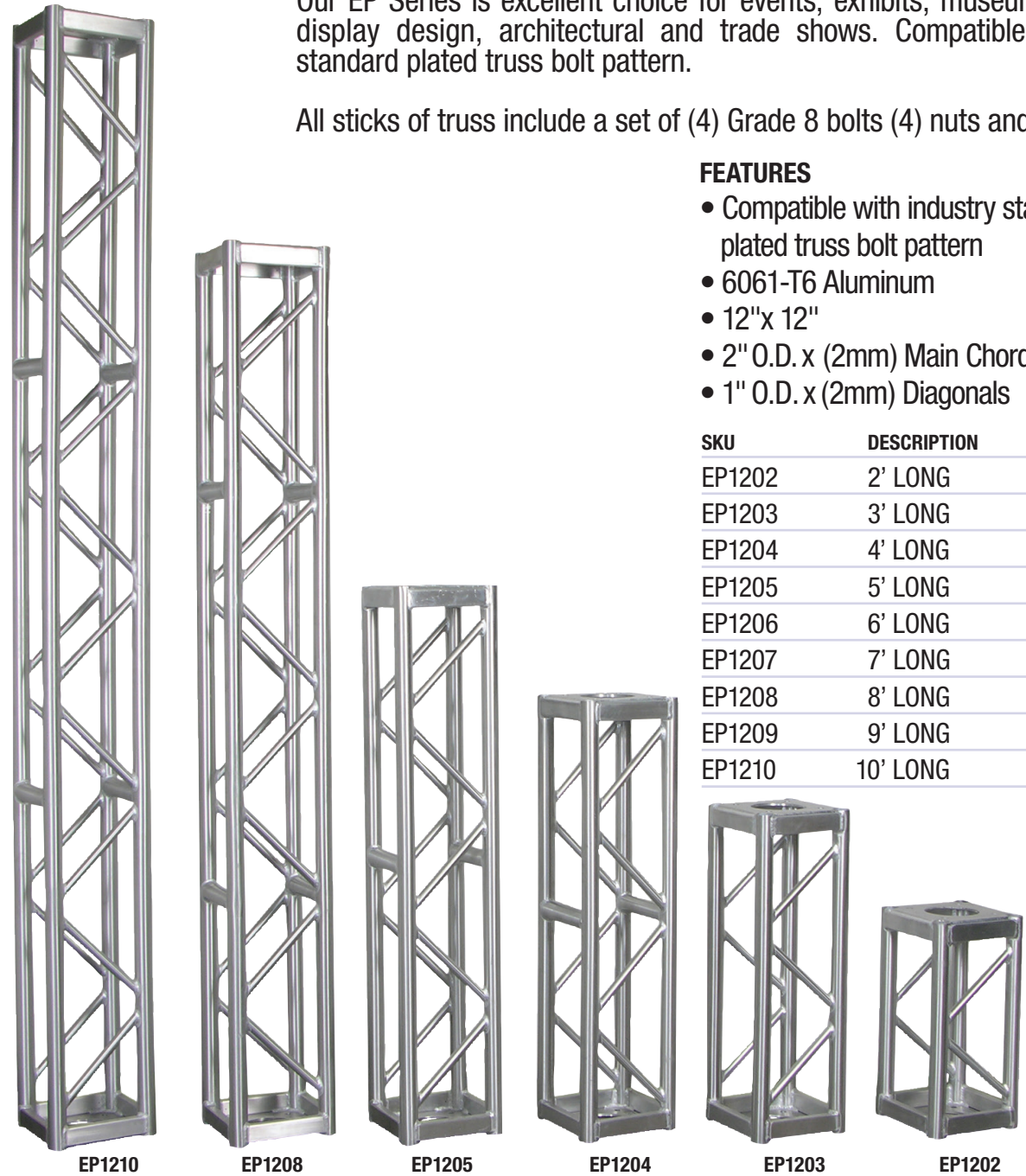
Our EP Series is excellent choice for events, exhibits, museums, retail store display design, architectural and trade shows. Compatible with industry standard plated truss bolt pattern.

All sticks of truss include a set of (4) Grade 8 bolts (4) nuts and (8) washers.

FEATURES

- Compatible with industry standard plated truss bolt pattern
- 6061-T6 Aluminum
- 12"x 12"
- 2" O.D. x (2mm) Main Chords
- 1" O.D. x (2mm) Diagonals

SKU	DESCRIPTION
EP1202	2' LONG
EP1203	3' LONG
EP1204	4' LONG
EP1205	5' LONG
EP1206	6' LONG
EP1207	7' LONG
EP1208	8' LONG
EP1209	9' LONG
EP1210	10' LONG



Our ST12 12" box Pro Series truss is designed and built to today's industry's standards, used by lighting designers, fitness & ninja gyms, theme parks, houses of worship, concert tours, production houses, and large scale stage set-up companies.

The main chord is constructed of 2"OD x 1/8" 6061-T6 aluminum tubing, and the plates that are compatible with industry standard bolt patterns.

FEATURES

- Compatible with industry standard plated truss bolt pattern.
- 6061-T6 Aluminum
- 12" x 12" Square Box Truss
- 2" OD x 1/8" Main Chords
- 1" OD x 1/8" Diagonals

SKU	DESCRIPTION
ST-1212-012	1' LONG (12")
ST-1212-024	2' LONG (24")
ST-1212-036	3' LONG (36")
ST-1212-048	4' LONG (48")
ST-1212-060	5' LONG (60")
ST-1212-072	6' LONG (72")
ST-1212-096	8' LONG (96")
ST-1212-120	10' LONG (120")

12 X 12 EP SERIES Maximum Allowable Uniform Loads

SPAN ft. (m)	Uniform Load			Center Point		Third Point		Quarter Point	
	Load lbs/ft.	Load lbs (kg)	Max Defl. In	Load lbs (kg)	Max Defl. In	Load lbs (kg)	Max Defl. In	Load lbs (kg)	Max Defl. In
10 (3.05)	295	2950 (1338)	0.19	2700 (1225)	0.28	1285 (593)	0.22	765 (347)	0.18
20 (6.10)	65	1300 (590)	0.54	680 (308)	0.46	490 (222)	0.55	335 (152)	0.53
30 (9.14)	30	900 (408)	1.23	650 (295)	1.42	330 (150)	1.22	255 (116)	1.34
40 (12.2)	15	600 (272)	2.00	315 (143)	1.71	235 (107)	2.11	155 (70)	1.97

12 X 12 ST 12 PRO SERIES Maximum Allowable Uniform Loads

SPAN ft. (m)	Uniform Load			Center Point		Third Point		Quarter Point	
	Load lbs/ft.	Load lbs (kg)	Max Defl. In	Load lbs (kg)	Max Defl. In	Load lbs (kg)	Max Defl. In	Load lbs (kg)	Max Defl. In
10 (3.05)	472	4720 (2141)	0.32	2710 (1229)	0.29	1744 (791)	0.33	1110 (503)	0.31
20 (6.10)	115	2300 (1043)	0.65	1206 (547)	0.56	888 (403)	0.68	633 (287)	0.68
30 (9.14)	60	1800 (816)	1.63	880 (399)	1.31	600 (272)	1.48	428 (194)	1.54
40 (12.2)	31	1240 (562)	2.68	580 (263)	2.04	442 (200)	2.62	308 (140)	2.54

www.ShowSolutions.com
www.ShowSolutions.com

SP-2010
 10' LONG

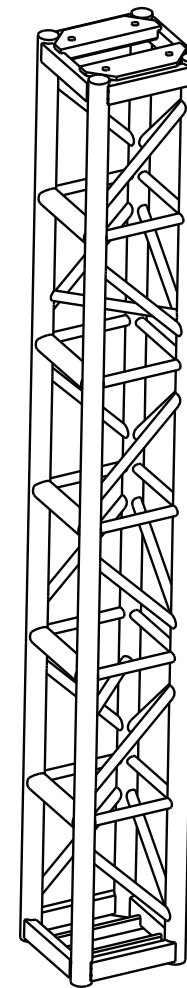
The SP20 20.5" Pro Series is the next step up from our standard 12" truss. Our Pro Series truss is an industry standard used by concert tours, production houses and large scale stage set-up companies. The main chord is made of 2" O.D. x 1/8" 6061-T6 aluminum tube, and the plates are compatible with industry standard bolt patterns.

FEATURES

- Compatible with industry standard plated bolt pattern
- 6061-T6 Aluminum
- 20.5"x 20.5" Square
- 2" OD x 1/8" Main Chords
- 1" OD x 1/8" Diagonals

SKU	DESCRIPTION
SP2002	2' LONG
SP2003	3' LONG
SP2004	4' LONG
SP2005	5' LONG
SP2006	6' LONG
SP2008	8' LONG
SP2010	10' LONG

20.5 X 20.5 SP 20 PRO SERIES Maximum Allowable Uniform Loads									
SPAN ft. (m)	Uniform Load			Center Point		Third Point		Quarter Point	
	Load lbs/ft.	Load lbs (kg)	Max Defl. In	Load lbs (kg)	Max Defl. In	Load lbs (kg)	Max Defl. In	Load lbs (kg)	Max Defl. In
10 (3.05)	840	8400 (3810)	0.19	4745 (2152)	0.18	3450 (1565)	0.20	2270 (1030)	0.19
20 (6.10)	230	4600 (2087)	0.44	2306 (1046)	0.38	1729 (784)	0.43	1153 (523)	0.42
30 (9.14)	105	3150 (1429)	0.88	1510 (684)	0.70	1120 (508)	0.85	810 (367)	0.90
40 (12.2)	55	2200 (998)	1.41	1080 (490)	1.14	800 (363)	1.40	540 (245)	1.33


SPTT12 SERIES
 1/8" MAIN CHORD
 WALL THICKNESS

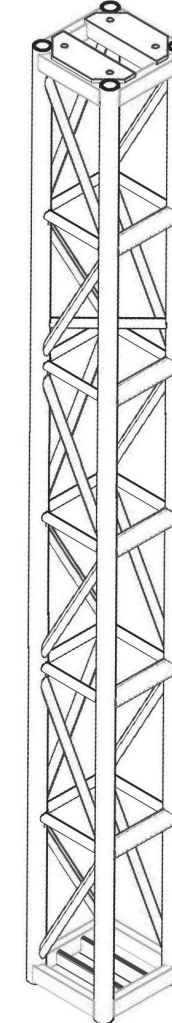
SKU	LENGTH
SPTT1202	2'
SPTT1203	3'
SPTT1204	4'
SPTT1205	5'
SPTT1206	6'
SPTT1208	8'
SPTT1210	10'

FEATURES

- Compatible with industry standard plated truss bolt pattern.
- 6061-T6 Aluminium Finish
- 12" x 12"
- 2" x 1/8" Main Chords Wall Thickness
- 2" x 1/8" Horizontal Self Climbers
- 1" x 1/8" Diagonal
- 1" x 1/8" Inner-Cross Brace

12" X 12" TOWER TRUSS

TOWER HEIGHT	2" x 1/8" CHORDS 12 X 12 Maximum Allowable Uniform Loads	
	AXIAL LOAD	
	K = 1.00	K = 2.10
10' - 0"	18,384 lbs	13,207 lbs
20' - 0"	14,199 lbs	6,218 lbs
30' - 0"	10,712 lbs	3,480 lbs
40' - 0"	7,676 lbs	1,999 lbs


TT1212 SERIES
 3/16" MAIN CHORD
 WALL THICKNESS

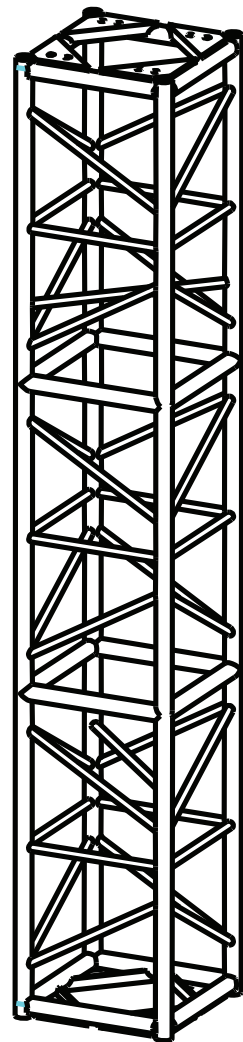
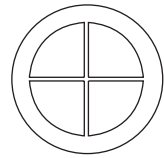
SKU	LENGTH
TT1212-024	2'
TT1212-036	3'
TT1212-048	4'
TT1212-060	5'
TT1212-072	6'
TT1212-096	8'
TT1212-120	10'

FEATURES

- Compatible with industry standard plated truss bolt pattern.
- 6061-T6 Aluminium Finish
- 12" x 12"
- 2" x 3/16" Main Chords Wall Thickness
- 2" x 1/8" Horizontal Self Climbers
- 1" x 1/8" Diagonal
- 1" x 1/8" Inner-Cross Brace

12" X 12" TOWER TRUSS

TOWER HEIGHT	2" x 3/16" CHORDS 12 X 12 Maximum Allowable Uniform Loads	
	AXIAL LOAD	
	K = 1.00	K = 2.10
10' - 0"	33,759 lbs	23,598 lbs
20' - 0"	25,650 lbs	11,646 lbs
30' - 0"	19,219 lbs	6,168 lbs
40' - 0"	11,494 lbs	3,370 lbs


SPTT20 SERIES
1/4" MAIN CHORD
WALL THICKNESS


Internal stiffeners to increase load capacity.

Show Solutions SPTT20 tower truss series features our exclusive custom aluminum extrusions which have an outer circular tube shape with additional internal stiffeners which crisscross at the center of the extrusion. The outer circle has an O.D. of 2" and a wall thickness of 1/4". The two stiffeners are 0.06" thick.

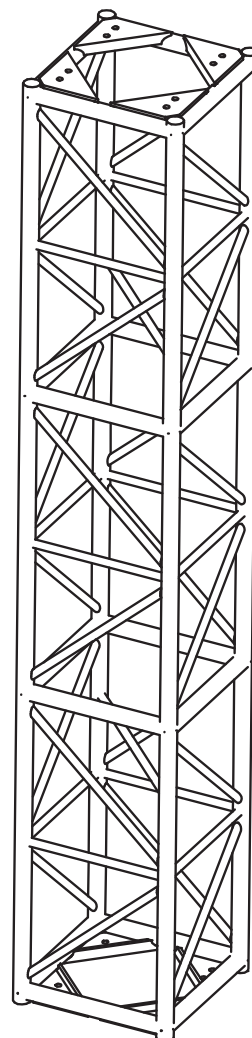
SKU	LENGTH
SPTT2002	2'
SPTT2003	3'
SPTT2004	4'
SPTT2005	5'
SPTT2006	6'
SPTT2008	8'
SPTT2010	10'

FEATURES

- Compatible with industry standard plated truss bolt pattern.
- 6061-T6 Aluminium Finish
- 20.5" x 20.5"
- 2" x 1/4" Main Chords Wall Thickness
- 2" x 1/8" Horizontal Self Climbers
- 1" x 1/8" Diagonal
- 1" x 1/8" Inner-Cross Brace

20.5"X 20.5" TOWER TRUSS

2" x 1/4" CHORDS
20.5" x 20.5" Maximum Allowable Uniform Loads
AXIAL LOAD

 Please visit website for load specs
www.ShowSolutions.com

TT2020 SERIES
3/16" MAIN CHORD
WALL THICKNESS

SKU	LENGTH
TT2020-024	2'
TT2020-036	3'
TT2020-048	4'
TT2020-060	5'
TT2020-072	6'
TT2020-096	8'
TT2020-120	10'

FEATURES

- Compatible with industry standard plated truss bolt pattern.
- 6061-T6 Aluminium Finish
- 20.5" x 20.5"
- 2" x 3/16" Main Chords Wall Thickness
- 2" x 1/8" Horizontal Self Climbers
- 1" x 1/8" Diagonal
- 1" x 1/8" Inner-Cross Brace

20.5"X 20.5" TOWER TRUSS (SPTT2020)

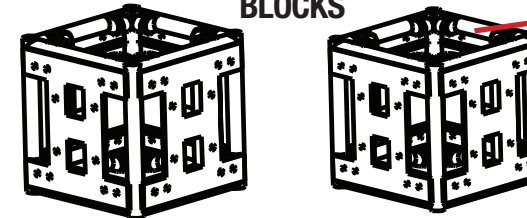
TOWER HEIGHT	2" x 3/16" CHORDS	
	K = 1.00	K = 2.10
10' - 0"	32,763 lbs	32,470 lbs
20' - 0"	29,256 lbs	25,802 lbs
30' - 0"	25,902 lbs	19,569 lbs
40' - 0"	22,594 lbs	12,918 lbs

HEAD BLOCK

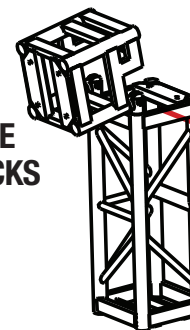

SKU	DESCRIPTION
SBTHB	Head Block for 12"x12" tower truss

ADAPTER PLATE

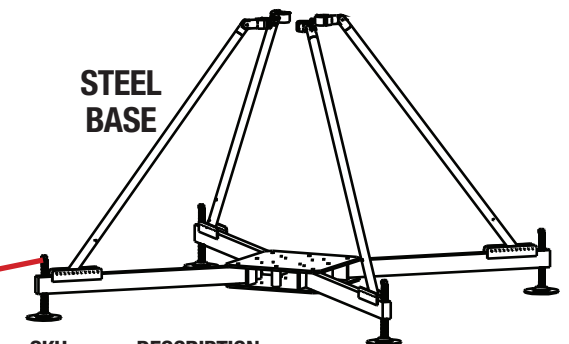

SKU	DESCRIPTION
SPHB20ADP	Adapter Plate for mounting head block onto 20.5"x 20.5" tower truss

SLEEVE BLOCKS


SKU	DESCRIPTION
SPTSB12	Sleeve Block 12" x 12"
SPTSB20	Sleeve Block 20.5"x 20.5"

HINGE BLOCKS


SKU	DESCRIPTION
SPTHG	Hinge Block (w/Set of 4 spigots)

STEEL BASE


SKU	DESCRIPTION
SPTTBS	Steel/Aluminium Base with Outriggers

Our Pro Series Tower System is the industry standard used by professional touring production companies

There are 4 major components used besides the truss sticks to complete a tower system.

SPTHB HEAD BLOCK mounts to the very top of the tower. (SPHB20ADP Head Block Adapter plate is available for mounting SPTHB Head Block onto the top of 20.5" tower truss sticks.)

SPTSB12 SLEEVE BLOCKS come with 4 sided plates to bolt on 12" or SPTSB20 for 20.5" truss and both come with 16 smooth high impact rollers.

SPTHG HINGE BLOCKS are used to facilitate the ease of lifting the tower truss to its upright position.

SPTTBS STEEL BASE with Outriggers is comprised of 4 stabilizing bars each with screw jack leveling pad. Each outrigger is 50" long.

FEATURES

- Compatible with industry standard plated truss bolt pattern.
- 12" x 12" Square Tower Truss
- 12" x 12" Square Truss Sleeve Block
- 20.5" x 20.5" Sleeve Block Available
- Custom Lengths and Sizes Available

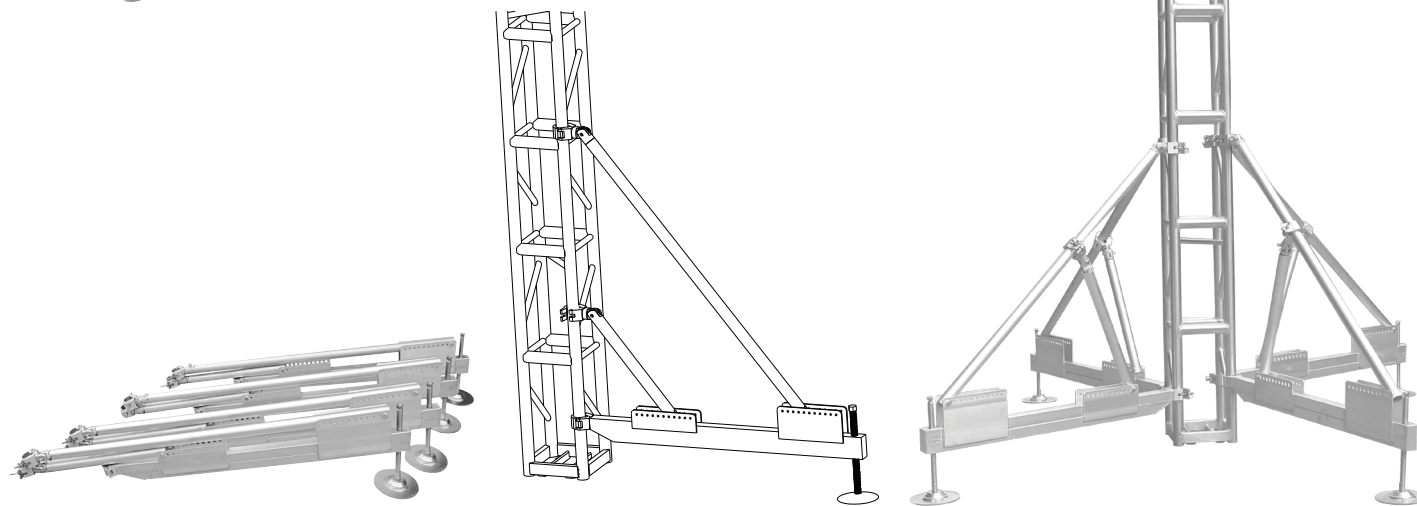
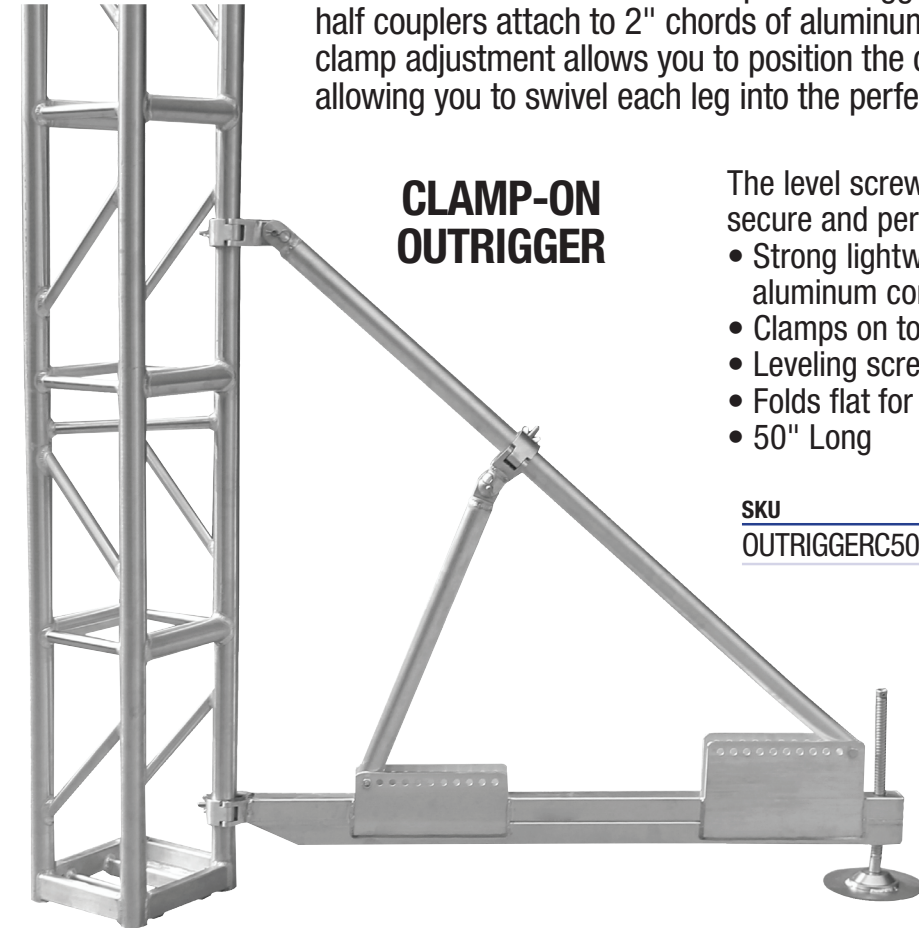
Show Solutions Aluminum Clamp-on Outrigger utilizes heavy - duty aluminum half couplers attach to 2" chords of aluminum tower truss. The multi - position clamp adjustment allows you to position the clamps at the right place thus allowing you to swivel each leg into the perfect location on the ground.

**CLAMP-ON
OUTRIGGER**

The level screw jack allows you to adjust the leg for a secure and perfect level.

- Strong lightweight double-braced aluminum construction
- Clamps on to 12"-30" box tower truss
- Leveling screw jack
- Folds flat for easy space saving transport
- 50" Long

SKU	DESCRIPTION
OUTRIGGERC50	SINGLE OUTRIGGER 50" LONG



1. Closed Position

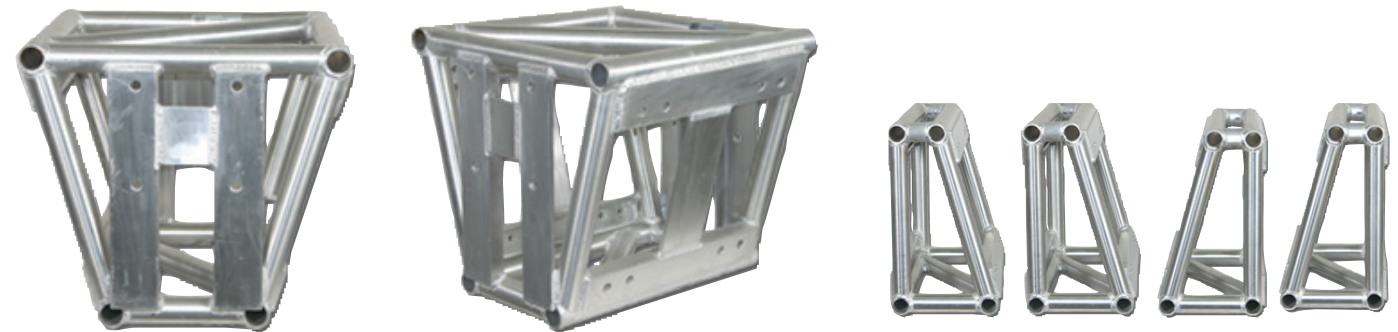
2. Connect to Truss. Individually

3. Set up example. Each clamp-on outrigger is sold individually.

Our SP12RF16ANG and SP20RF16ANG Roof Systems includes a set of fixed angled braces for a 16° roof system using 12"x12" or 20.5" x 20.5" square truss beams, respectively. Each set includes (4) lower and (2) top braces.

FEATURES

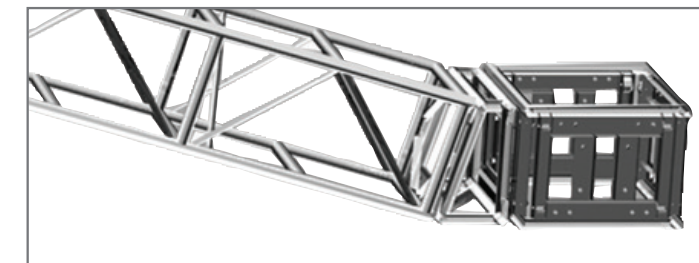
- Compatible with industry standard plated truss bolt pattern.
- 6061-T6 Brushed Aluminium Finish
- Connect to 45 degree blocks to make a 135 degree pitch



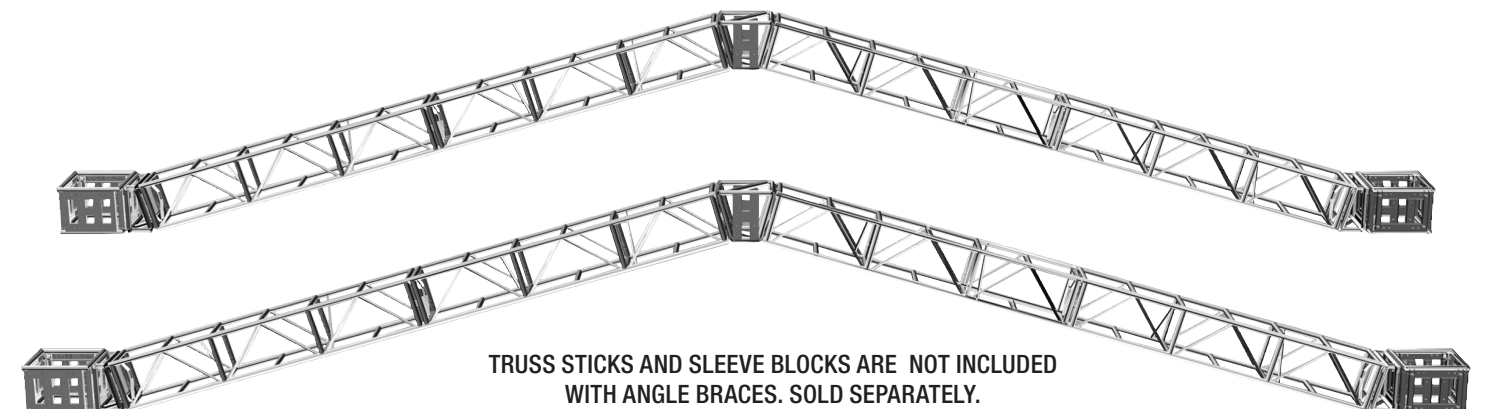
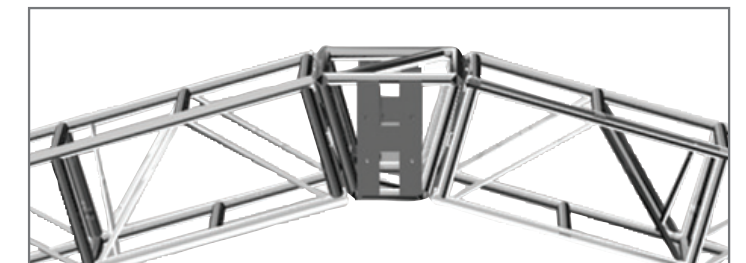
SKU	DESCRIPTION
SP20RF16ANG	20.5" x 20.5" Roof Package, 6 Braces (4 lower, 2 top) Truss not included

SKU	DESCRIPTION
SP12RF16ANG	12" x 12" Roof Package, 6 Braces (4 lower, 2 top) Truss not included

Top braces connect truss at the apex of the roof

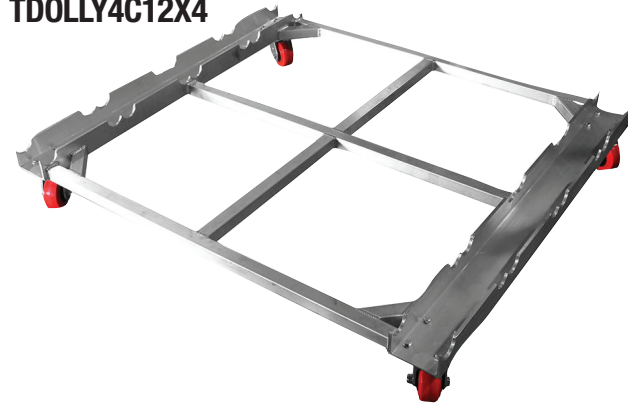


Lower braces connect roof truss to sleeve blocks

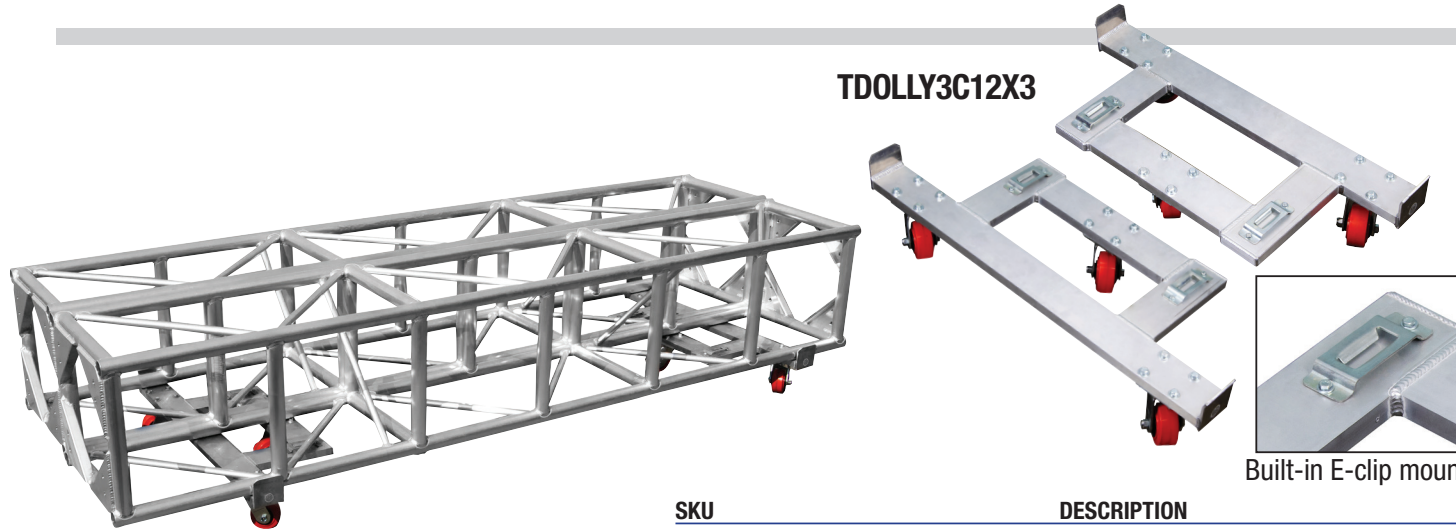


TRUSS STICKS AND SLEEVE BLOCKS ARE NOT INCLUDED WITH ANGLE BRACES. SOLD SEPARATELY.

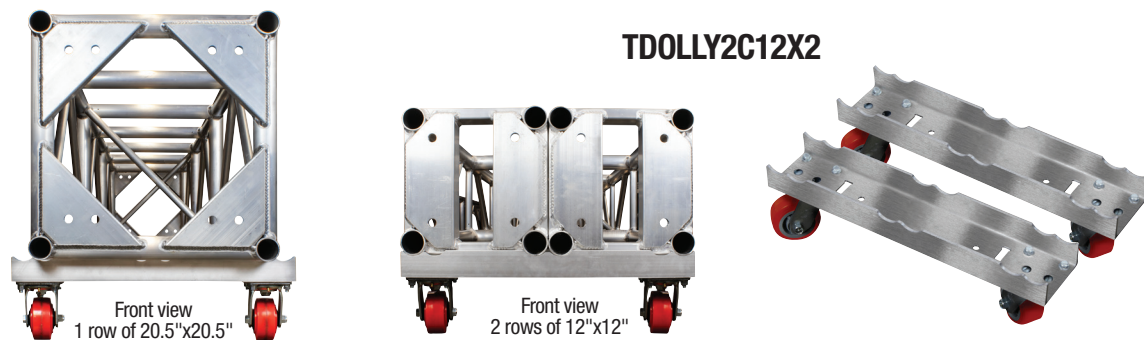
www.ShowSolutions.com
www.ShowSolutions.com
TDOLLY4C12X3

TDOLLY4C12X4


SKU	DESCRIPTION
TDOLLY4C12X3	Holds 3 rows of 12"x12" Truss Sticks or 2 rows of 20.5"X 20.5 Truss Sticks
TDOLLY4C12X4	Holds 4 rows of 12"x12" Truss Sticks

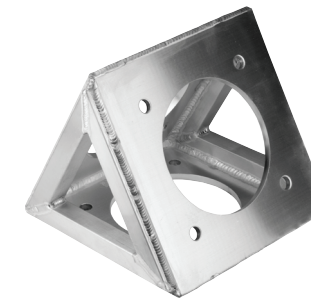
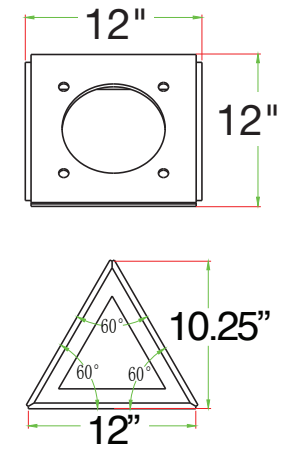
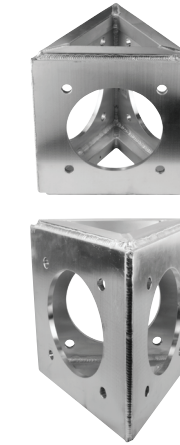
TDOLLY3C12X3


SKU	DESCRIPTION
TDOLLY3C12X2	Holds 2 rows of 12"x12" Truss Sticks or 1 row of 20.5"x 20.5 Truss Sticks. SOLD IN PAIRS
TDOLLY3C12X3	Holds 3 rows of 12"x12" Truss Sticks or 2 rows of 20.5"x 20.5 Truss Sticks. SOLD IN PAIRS

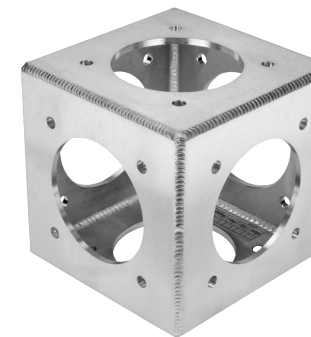
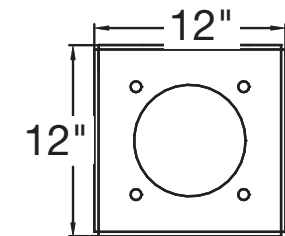
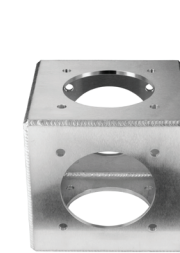
TDOLLY2C12X2


SKU	DESCRIPTION
TDOLLY2C12X2	Holds two 12"x12" Truss Sticks side by side or one 20.5" truss. COME IN PAIRS

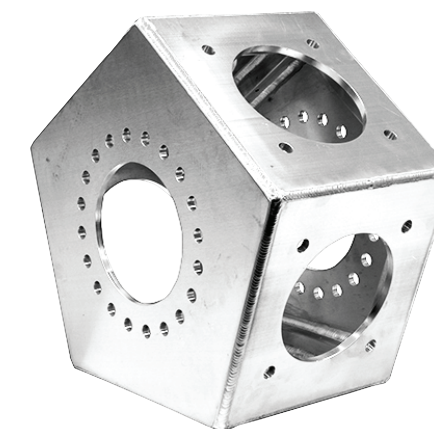
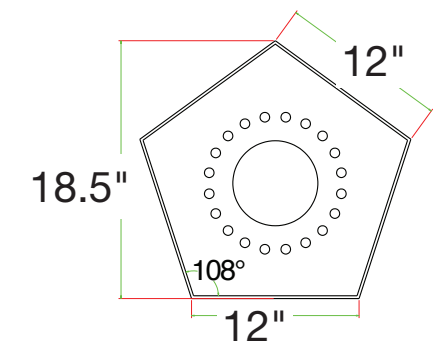
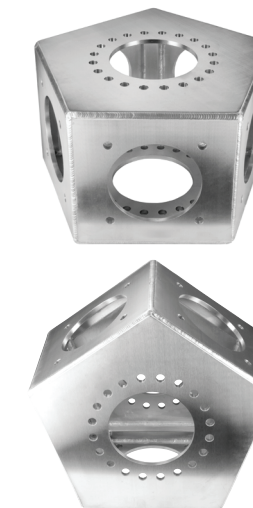
Our Designer Blocks are compatible with industry standard 12"x12" plated box truss. Each features Multi-Angle connecting plates for constructing creative structures for entertainment, concert tour, theatrical staging and specialty applications. Expand your creative genius.


TRIANGLE BLOCK


SKU	DESCRIPTION
DB12X3	(SP12T3X120) 3-WAY TRIANGLE BLOCK


SQUARE BLOCK


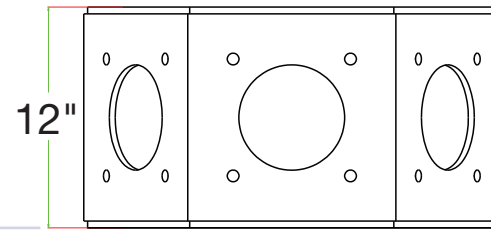
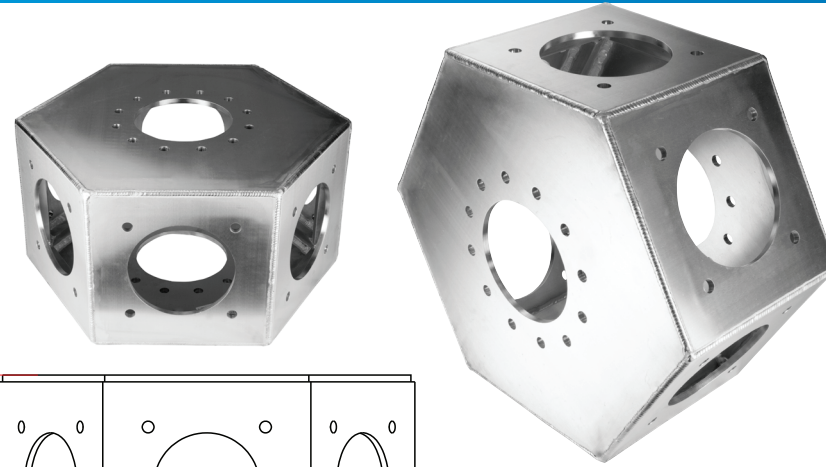
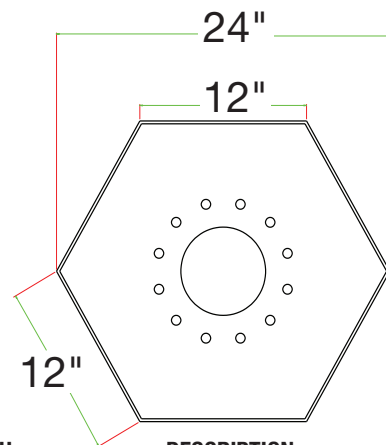
SKU	DESCRIPTION
SPPCB12126	6-way flush corner square block for 12" x 12" square trussing


PENTA-BLOCK


SKU	DESCRIPTION
DB12X5	5-WAY PENTA-BLOCK PAT. PENDING

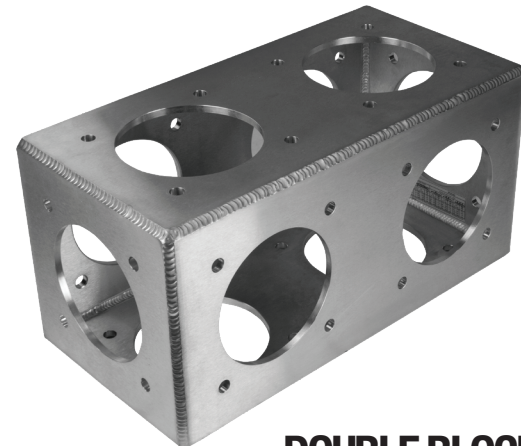
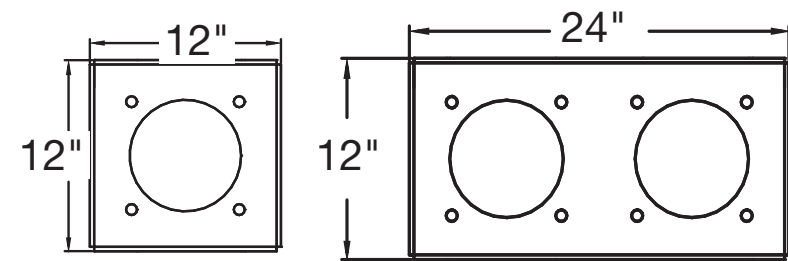
www.ShowSolutions.com

www.ShowSolutions.com



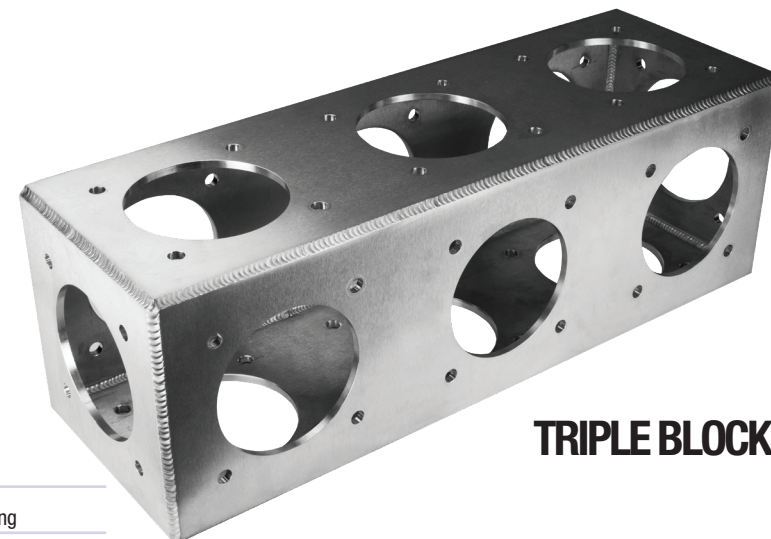
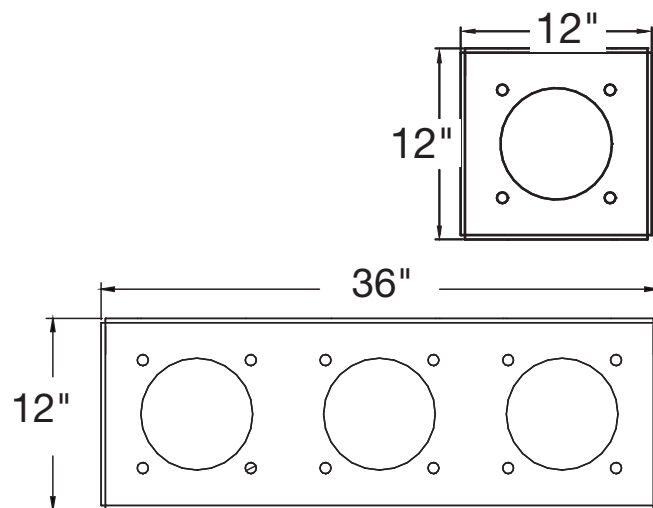
HEX-BLOCK

SKU	DESCRIPTION
DB12X6	6-WAY HEX-BLOCK PAT. PENDING



DOUBLE BLOCK

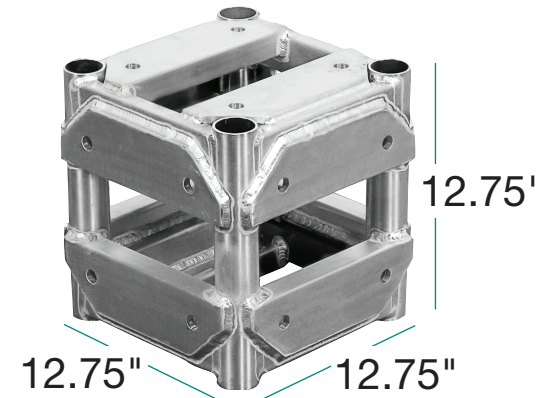
SKU	DESCRIPTION
ST-CB1212-024	10-way double block 12"x 12"x 24" Pat. Pending



TRIPLE BLOCK

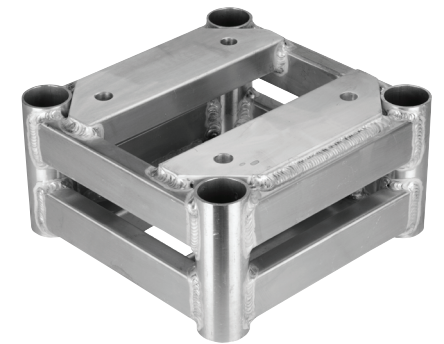
SKU	DESCRIPTION
ST-CB1212-036	14-way triple block 12"x 12"x 36" Pat. Pending

**6 WAY
CORNER
BLOCK**



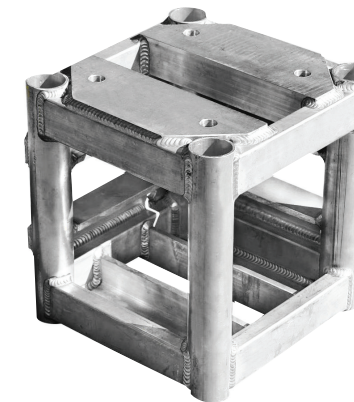
SKU	DESCRIPTION
SP1200	6-way corner block

**6"
SPACER**



SKU	DESCRIPTION
SP12006	6" LONG 12" x 12" Spacer

**4 WAY
CORNER
BLOCK**



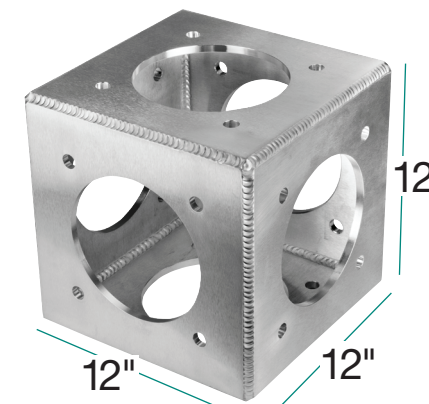
SKU	DESCRIPTION
SP1201	4-way corner block

**10"
SPACER**



SKU	DESCRIPTION
SP12010	10" LONG 12" x 12" Spacer

**6 WAY
CORNER
BLOCK**



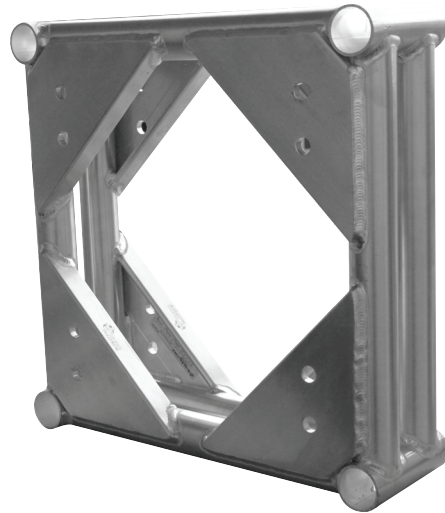
SKU	DESCRIPTION
SPPCB12126	6-way flush corner block

**12"
SPACER**



SKU	DESCRIPTION
SP12012	12" LONG 12" x 12" Spacer

6" SPACER



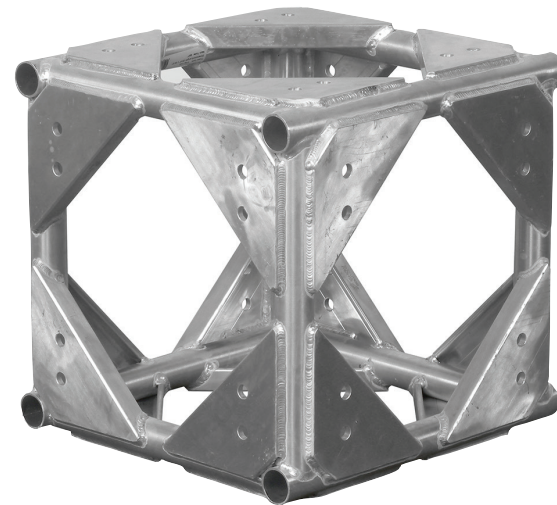
SKU	DESCRIPTION
SP20006	6" long, 20.5" x 20.5" spacer

Our SP PRO 20.5" Corner Blocks & Spacers are made of 6061T-6 aluminum. They feature a 10mm thick solid aluminum end plates, securely connect trussing at any side.

FEATURES:

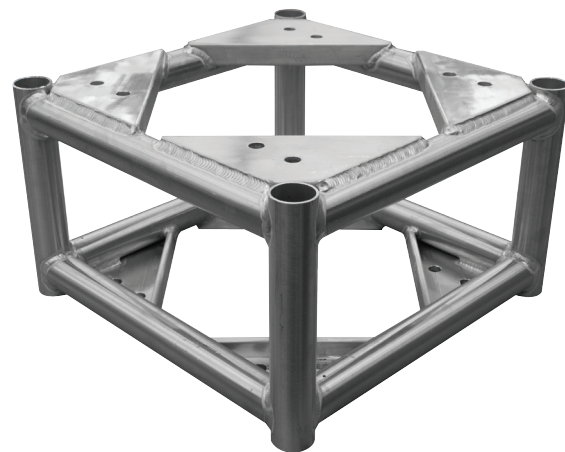
- Compatible with industry standard plated truss bolt pattern.
- 6061-T6 Aluminum Finish

6 WAY CORNER BLOCK



SKU	DESCRIPTION
SP2000	6-Way corner block for 20.5" x 20.5" Truss

12" SPACER



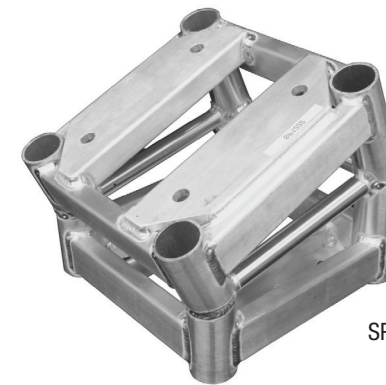
SKU	DESCRIPTION
SP20012	12" long 20.5" x 20.5" spacer

ANGLE BLOCKS

Our 12"x 12" and 20.5"x 20.5" angle blocks are an industry standard used by concert tours, production houses and large scale rigging companies. Available in 22.5° - 60°. We also specialize in Custom Angles.

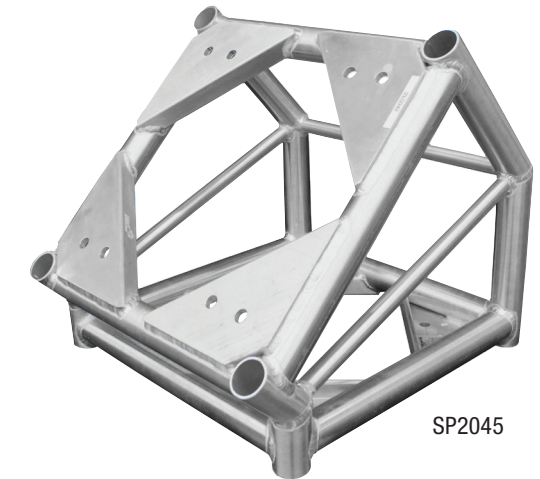
FEATURES:

- Compatible with industry standard plated truss bolt pattern.



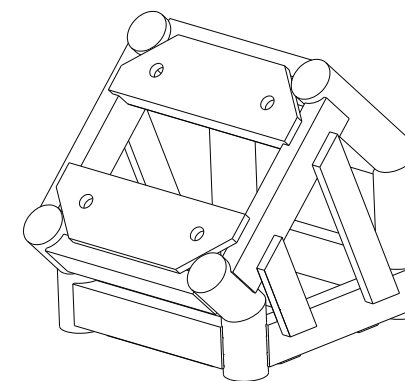
SP1222

SKU	DESCRIPTION	FITS
SP1222	22.5 Degree Angle Block	12"x 12" Truss
SP1245	45 Degree Angle Block	12"x 12" Truss

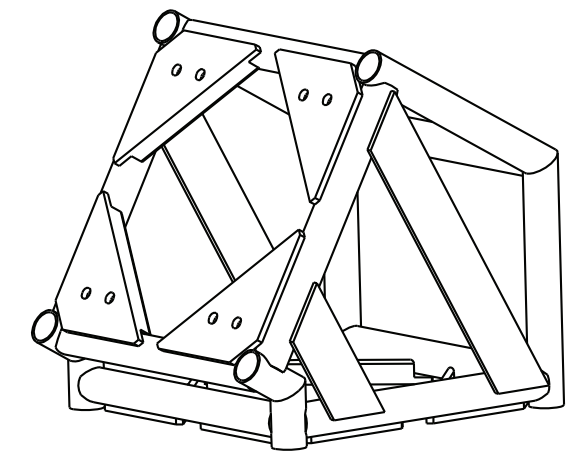


SP2045

SKU	DESCRIPTION	FITS
SP2045	45 Degree Angle Block	20.5"x 20.5" Truss



SKU	DESCRIPTION	FITS
SP1222HD	Heavy Duty 22.5 Degree Angle Block	12"x 12" Truss
SP1245HD	Heavy Duty 45 Degree Angle Block	12"x 12" Truss



SKU	DESCRIPTION	FITS
SP2022HD	Heavy Duty 22.5 Degree Angle Block	20.5"x 20.5" Truss
SP2045HD	Heavy Duty 45 Degree Angle Block	20.5"x 20.5" Truss
SP2060HD	Heavy Duty 60 Degree Angle Block	20.5"x 20.5" Truss

www.ShowSolutions.com
www.ShowSolutions.com
HINGED BLOCKS

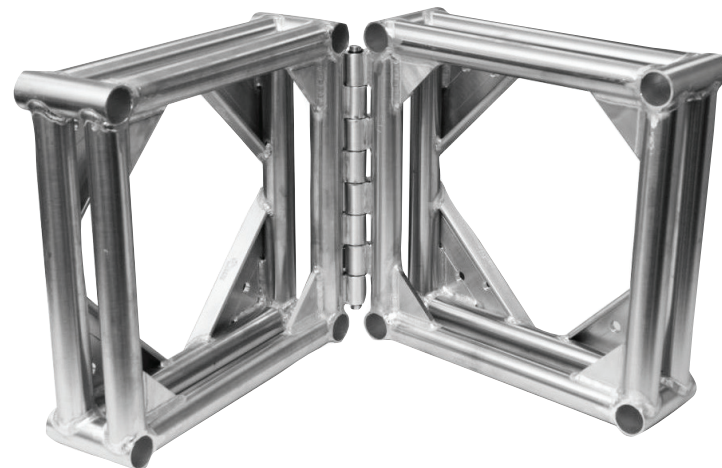
The SP Pro Series hinged blocks are made of 6061-T6 2" O.D. aluminum tube and bolted end plates that connects truss at your desired angle with a clean look. Available for both 12" or 20.5" box truss.

FEATURES:

- Compatible with industry standard plated truss bolt pattern.
- 6061-T6 Aluminum Finish
- 2" Tubing

12"x 12" HINGED BLOCK


SKU	DESCRIPTION
SP12SGB	Hinged Block for 12"x12" Truss

20.5"x 20.5" HINGED BLOCK


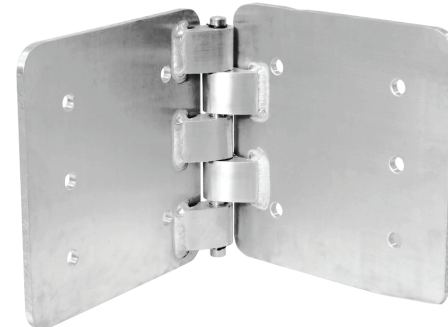
SKU	DESCRIPTION
SP20SGB	Hinged Block for 20.5" x 20.5" Truss

HINGED PLATES

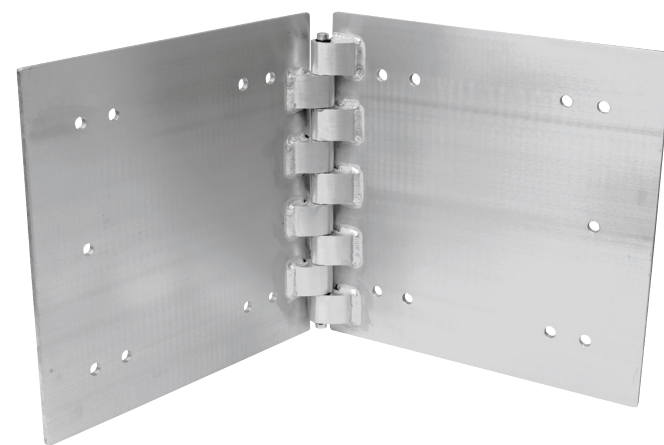
Our SP PRO Series hinged plates are made of 10mm thick solid aluminum plate that connects truss at your desired angle with a clean look. Available for either 12" or 20.5" box truss.

FEATURES:

- Compatible with industry standard plated truss bolt pattern.
- 6061-T6 Aluminum Finish
- 10mm Thick Aluminum Plate

12"x 12" HINGED PLATE


SKU	DESCRIPTION
SP12HP	Hinged Plate for 12"x12" Truss

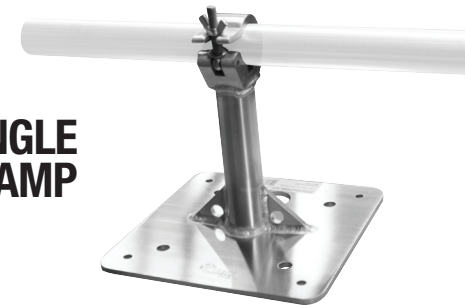
20.5"x 20.5" HINGED PLATE


SKU	DESCRIPTION
SP20HP	Hinged Plate for 20.5" x 20.5" Truss

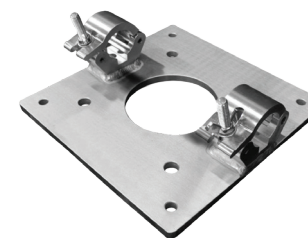
Show Solutions Trussmounts are the perfect setup solution for moving heads, special effects, lekos, and projectors. Just a few examples that can be suspended from these ingenious rigging accessories. Top mounts may be bolted on either 12" x 12" or 290mm x 290mm Truss. Your choice of 12", 24", 36", 48" and 60" tube length in 2" O.D. x 1/4" wall thickness.

SINGLE WELDED STAND


SKU	DESCRIPTION
TMOUNT - B1-12	SINGLE STAND 12" LONG BAR
TMOUNT - B1-24	SINGLE STAND 24" LONG BAR
TMOUNT - B1-36	SINGLE STAND 36" LONG BAR
TMOUNT - B1-48	SINGLE STAND 48" LONG BAR

SINGLE CLAMP


SKU	DESCRIPTION
TMOUNT - C1	SINGLE CLAMP (TUBE SOLD SEPARATELY)

HALF COUPLER PLATE SINGLE TUBE


MODEL	DESCRIPTION
SPCP12	SINGLE TUBE 12" X 12" PLATE W/ 2" O.D. HALF COUPLERS 12mm THICK ALUMINUM PLATE

DUAL WELDED STAND

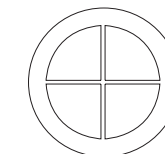

SKU	DESCRIPTION
TMOUNT - B2-24	DUAL STAND 24" LONG BAR
TMOUNT - B2-36	DUAL STAND 36" LONG BAR
TMOUNT - B2-48	DUAL STAND 48" LONG BAR
TMOUNT - B2-60	DUAL STAND 60" LONG BAR

DUAL CLAMP


SKU	DESCRIPTION
TMOUNT - C2	DUAL CLAMP (TUBE SOLD SEPARATELY)

HALF COUPLER PLATE DOUBLE TUBE


MODEL	DESCRIPTION
SPCPTUB12	DOUBLE TUBE 12" X 12" PLATE W/ 2" O.D. HALF COUPLERS AT 90° 12mm THICK ALUMINUM PLATE



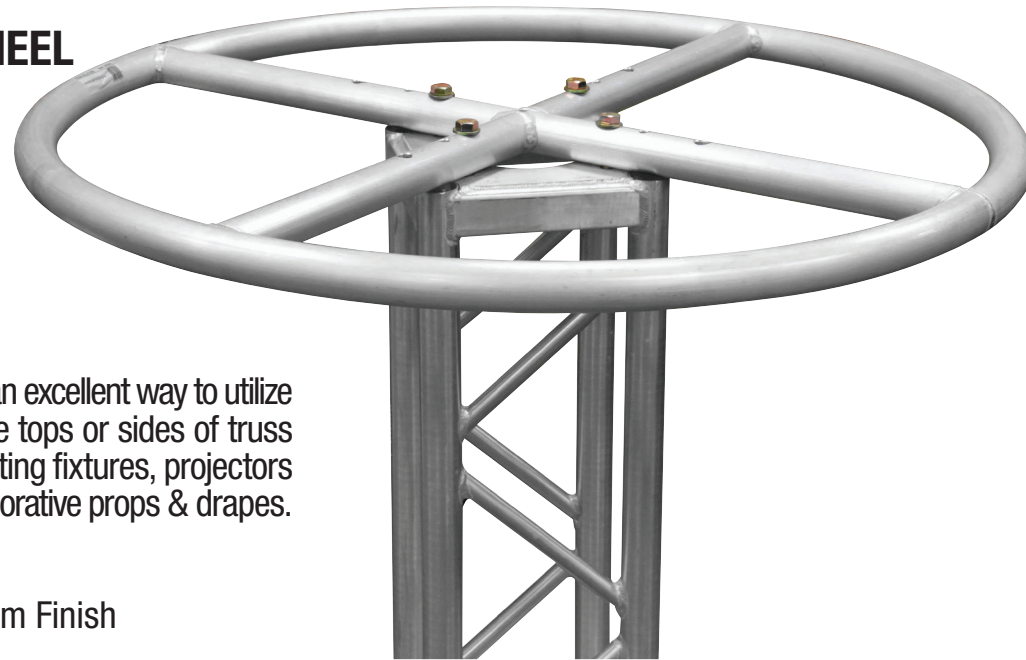
Internal stiffeners to increase load capacity.



2" O.D. x 1/4" WALL THICKNESS

MODEL	DESCRIPTION
TMOUNTBAR - 2-12	2" O.D. x 1/4" WALL THICKNESS, 12" LONG
TMOUNTBAR - 2-24	2" O.D. x 1/4" WALL THICKNESS, 24" LONG
TMOUNTBAR - 2-36	2" O.D. x 1/4" WALL THICKNESS, 36" LONG
TMOUNTBAR - 2-48	2" O.D. x 1/4" WALL THICKNESS, 48" LONG
TMOUNTBAR - 2-60	2" O.D. x 1/4" WALL THICKNESS, 60" LONG

WAGON WHEEL



Our Wagon Wheel is an excellent way to utilize the extra space on the tops or sides of truss set ups to mount lighting fixtures, projectors or other items like decorative props & drapes.

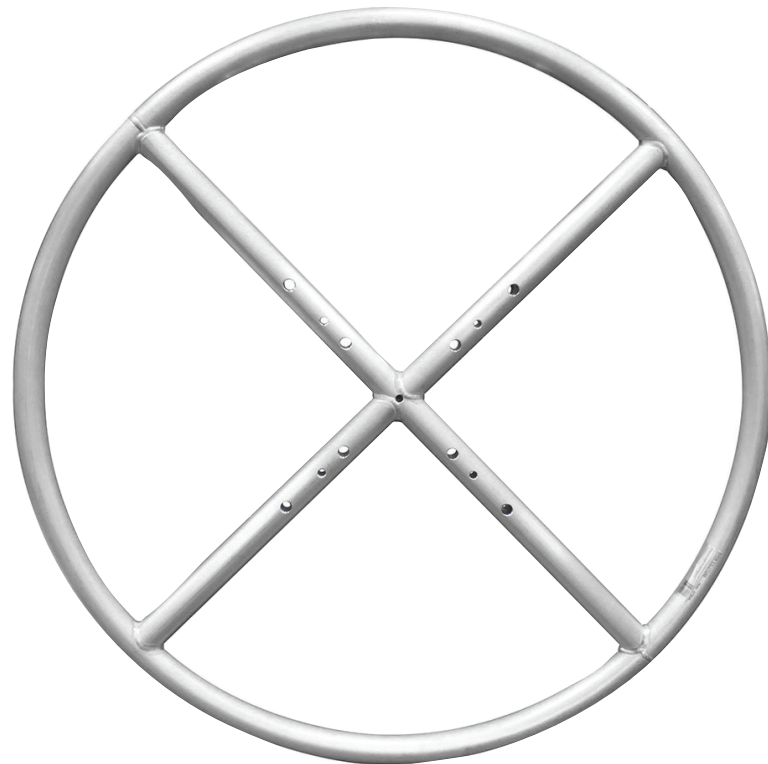
Features:

- 6061-T6 Aluminum Finish
- 2" O.D. x 1/8"

Hole Pattern:

- 12" x 12"
- 290mm x 290mm
- 20.5" x 20.5"

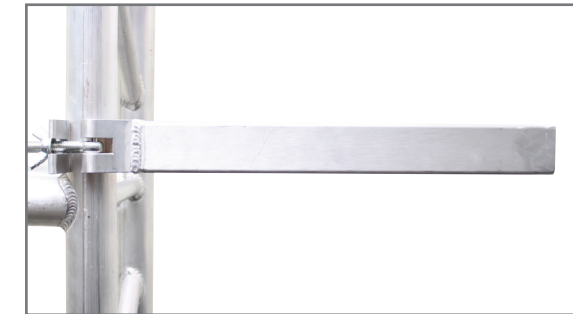
Available in:
Natural or Black



SKU	DESCRIPTION
SPW48	WAGON WHEEL FOR 12", 290mm AND 20.5" BOX TRUSS
SPW48B	WAGON WHEEL FOR 12", 290mm AND 20.5" BOX TRUSS BLACK

Our Side Arms are made of heavy duty aluminum tube and designed for a variety of applications including hanging speakers, lights, props, and much more. Arms feature permanently welded 2" Pro Couplers ensuring secure attachment to trussing.

16" Square Side Arm with 2" Half Coupler



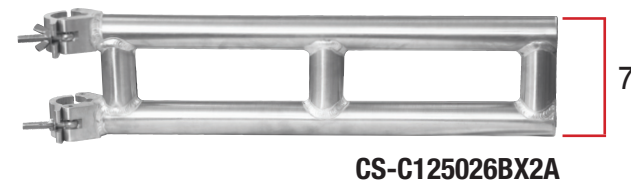
SKU	DESCRIPTION
CS-C125016B	16" Long Square Side Arm with 2" Half Coupler

26" Long Side Arm with 2" Half Coupler



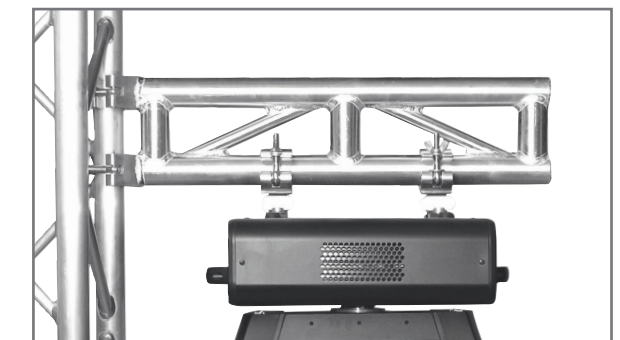
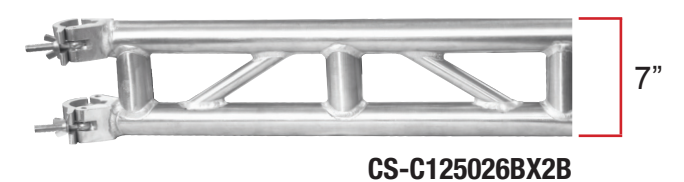
SKU	DESCRIPTION
CS-C125026B	26" Long Side Arm with 2" Half Coupler 2" O.D. Tube

PRO 2" Half Couplers with 26" I-Beam Truss 2" O.D. Main Tube.

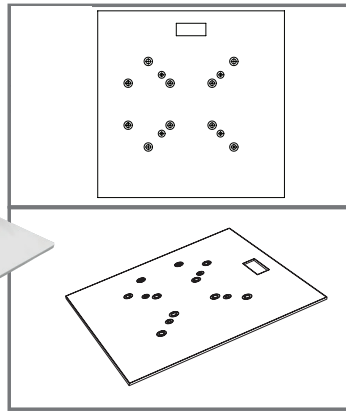
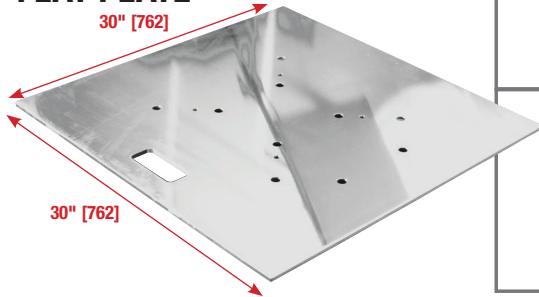


SKU	DESCRIPTION
CS-C125026BX2A	26" I-Beam Side Arm (2" O.D.) with 2" Half Coupler

PRO 2" Half Couplers with 26" I-Beam Truss with 1" diagonal 2" O.D. Main Tube.

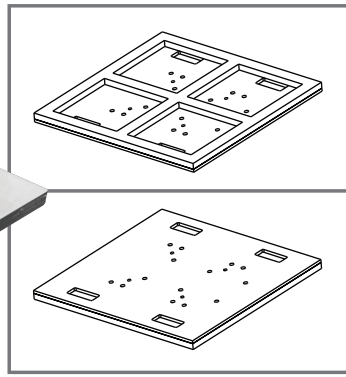
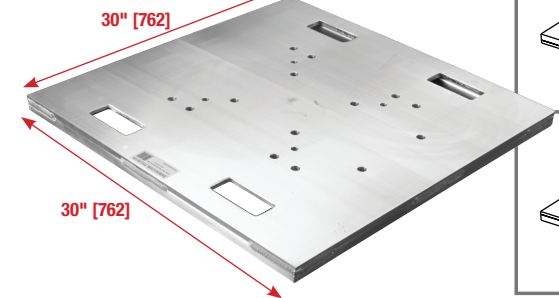


SKU	DESCRIPTION
CS-C125026BX2B	26" I-Beam Side Arm (2" O.D.) with Diagonal Supports and 2" Half Coupler

FLAT PLATE
30"X30" FLAT PLATE


The PB-H1200FP Base Plate measures 30" x 30", 3/8" thick aluminum plate. Made specifically for 12", 290mm and 20.5" box truss. All holes are counter sunk for flush bolt mounting, and it also has one cut out handle for ease of carrying.

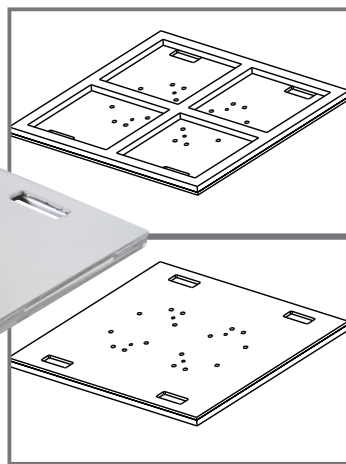
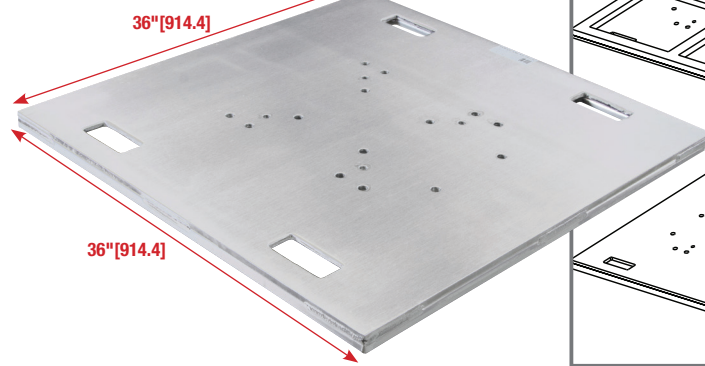
SKU	DESCRIPTION	WEIGHT
PBH1200FP	30" x 30" Base Plate for 12" x 12" truss & 20.5" x 20.5"	31.5 lbs.

RAISED PLATE
30"X30" RAISED PLATE


The PB-H1200 Heavy Duty Base Plate is a 30" x 30" all-aluminum 1-1/2" raised base plate for any job indoors or out. It is designed to mount most 12", 290mm, 20.5" box truss sizes and also features offset hole patterns for balancing of 12" box truss when used to hang and support large flat screen monitors in a single column configuration. Large handle cut outs on both sides make it easier to pick up and move.

- FEATURES**
- 6061-T6 Brushed Aluminum Finish
 - 1/2" Thick Aluminum Top Plate
 - 1" Thick Aluminum Frame

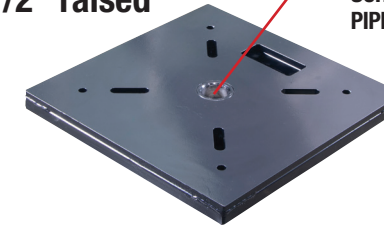
SKU	DESCRIPTION	WEIGHT
PBH1200	30" x 30" Heavy Duty Aluminum Base Plate for 12" x 12" & 20.5" x 20.5" truss	53 lbs

36"X36" RAISED PLATE


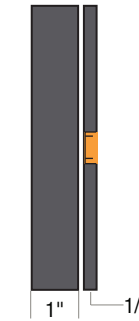
The PB-H1236 Heavy Duty Base Plate measures 36" x 36" and is identical to the PB-H1200 except for a larger foot print. Perfect for heavier loads or where your rig requires a wider platform.

- FEATURES**
- 6061-T6 Brushed Aluminum Finish
 - 1/2" Thick Aluminum Top Plate
 - 1" Thick Aluminum Frame

SKU	DESCRIPTION	WEIGHT
PBH1236	36" x 36" Heavy Duty Aluminum Base Plate for 12 x 12", 290mm x 290mm & 20.5" x 20.5" truss	75 lbs
PBH1248	48" x 48" Heavy Duty Aluminum Base Plate for 12 x 12", 290mm x 290mm & 20.5" x 20.5" truss	129 lbs

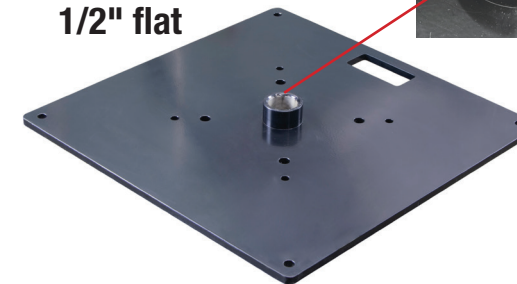
18" x 18" 1-1/2" raised


RECESSED WELDED 1-1/2" SCHEDULE PIPE FLANGE

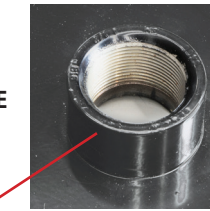


Exclusively designed and engineered with hole patterns for 12", 18"x18", 290mm box truss and 1-1/2" schedule 40 adapter. Black powder coat finish. Custom Color Available.

SKU	DESCRIPTION	WEIGHT
PBH1218S3-US	18" x 18" Pro Steel Base Plate, Raised with Recessed Flange	50 lbs

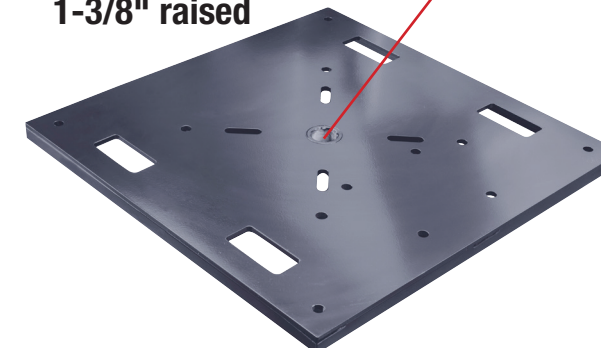
23" x 23" 1/2" flat


WELDED 1-1/2" SCHEDULE PIPE FLANGE

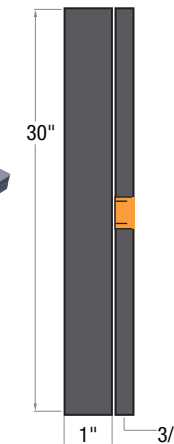


Exclusively designed and engineered with hole patterns for 12", 20-1/2", 290mm box truss and 1-1/2" schedule 40 adapter. Black powder coat finish. Custom Color Available.

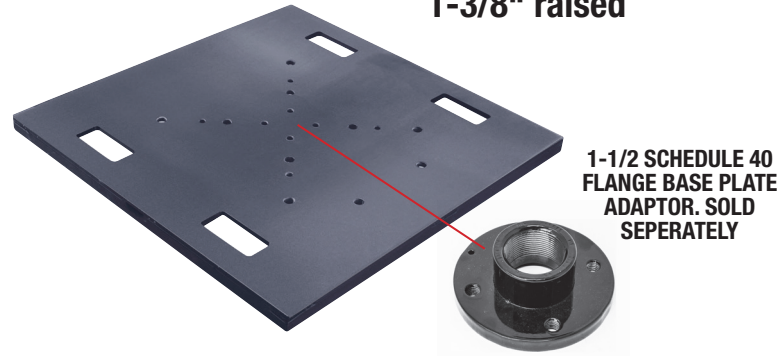
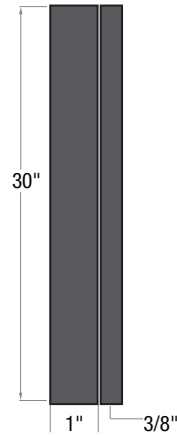
SKU	DESCRIPTION	WEIGHT
PBH1223FPS-US	23" x 23" x 1/2" Pro Steel Base Plate, Flat with Flange	73 lbs

30" x 30" 1-3/8" raised


RECESSED WELDED 1-1/2" SCHEDULE PIPE FLANGE

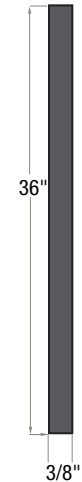
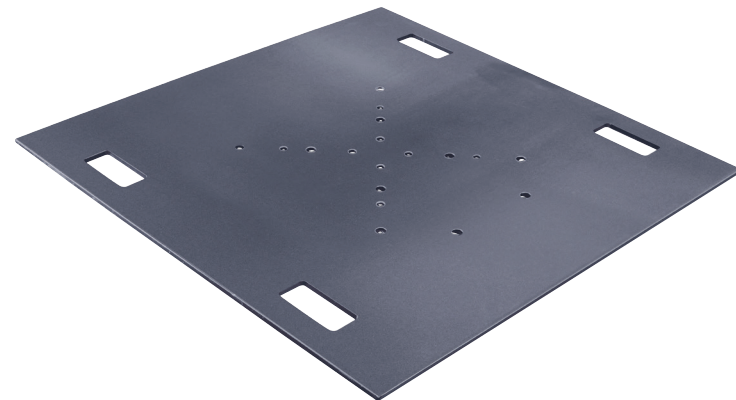


SKU	DESCRIPTION	WEIGHT
PBH1230S3-US	30" x 30" Pro Steel Base Plate, Flat with Recessed Flange	96 lbs

**30"x 30"
1-3/8" raised**

 1-1/2 SCHEDULE 40
 FLANGE BASE PLATE
 ADAPTOR. SOLD
 SEPERATELY


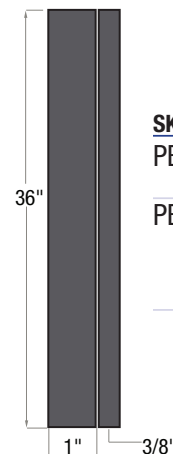
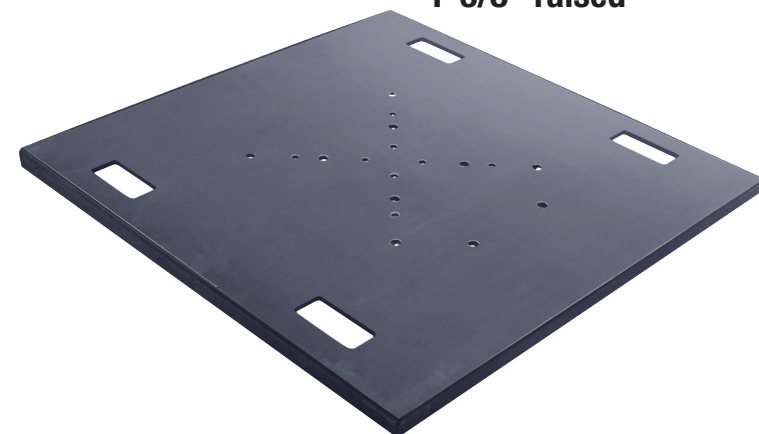
The PB-H1200S Steel Base Plate is a 30"x30" base plate for any job indoors or out. Large handle cut outs on both sides make it easier to pick up and move. Powder coated in black finish.

SKU	DESCRIPTION	WEIGHT
PBH1200S	30" X 30" 3/8" Base Plate for 12"x12" truss only	96 lbs
PBH1230S2-US	30" x 30" Raised Steel Base Plate with hole patterns for 12", 20-1/2", 290mm box truss and 1-1/2" schedule 40 flange Mounting holes	96 lbs

**36"x 36"
3/8" flat**


Exclusively designed and engineered with hole patterns for the 12", 20-1/2", 290mm box truss and 1-1/2" schedule 40 flange Mounting holes, Black powder coat finish. Custom Color Available.

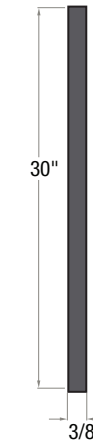
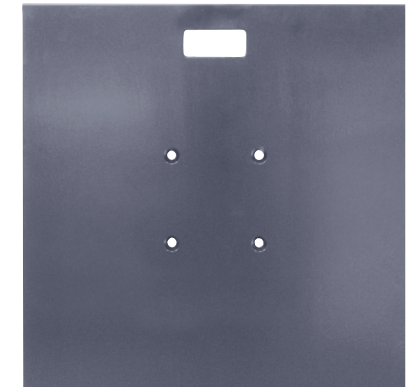
SKU	DESCRIPTION	WEIGHT
PBH1230FPS2-US	30" x 30" x 3/8" Pro Steel Base Plate, Flat with Flange Mounting Holes	90 lbs
PBH1236FPS2-US	36" x 36" x 3/8" Pro Steel Base Plate, Flat with Flange Mounting Holes	131.5 lbs

**36" x 36"
1-3/8" raised**


SKU	DESCRIPTION	WEIGHT
PBH1236S2-US	36"x36"x1-3/8" Pro Steel Base Plate	148 lbs
PBH1248S2-US	48"x48"x 1-3/8" Pro Steel Base Plate, Flat with Flange Mounting Holes	240 lbs

The PB-H1200FPS 30 x 30 Steel Base Plate measures 30" x 30" with 4 countersunk holes for mounting 12" box truss. The steel base plate is ideal for in & outdoor applications. Powder coated in a black finish.

SKU	DESCRIPTION	WEIGHT
PBH1200FPS	30" X 30" 3/8" Base Plate for 12" x 12" truss only	96 lbs

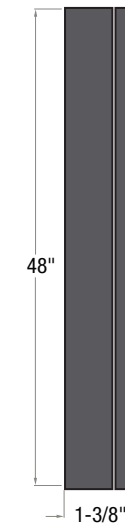
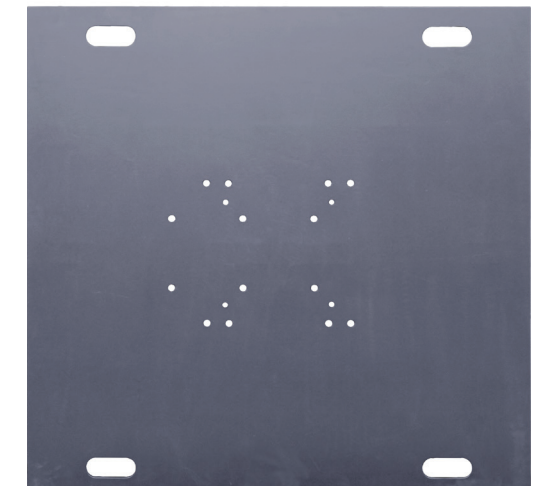

**30"x 30"
3/8" flat**


The PB-H1248S Steel Base Plate is a 48" x 48" beast to be reckoned with. It features (4) handle cut outs and multiple bolt pattern countersunk holes for mounting various truss sizes. The perfect base plate for the ultimate BIG job.

FEATURES

- Powder Coated Black Gloss Finish
- 3/8" Thick Solid Steel
- 1" Steel frame

SKU	DESCRIPTION	WEIGHT
PBH1248S	48" x 48" Steel Base Plate for 12" or 20.5" Square Truss	240 lbs


**48"x 48"
1-3/8" raised**


FLUSH CORNER BASE PLATES

Exclusively designed and engineered for 12", 20-1/2", 290mm box truss and 1-1/2" schedule 40 flange adapter. Black powder coat finish. Custom Color Available.

SKU	DESCRIPTION	WEIGHT
PBHC27RSB	For 12", 20.5", and 290mm box truss.	63 lbs

FLUSH WALL BASE PLATES

SKU	DESCRIPTION	WEIGHT
PBHW24RSB	For 12", 20.5", and 290mm box truss.	67 lbs

30" DIAMETER BASE PLATES

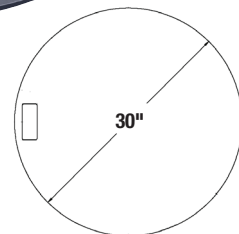
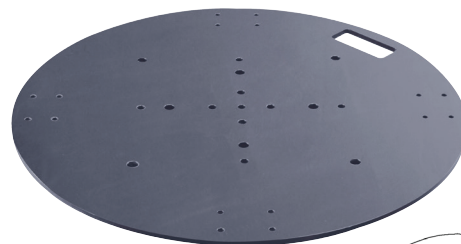
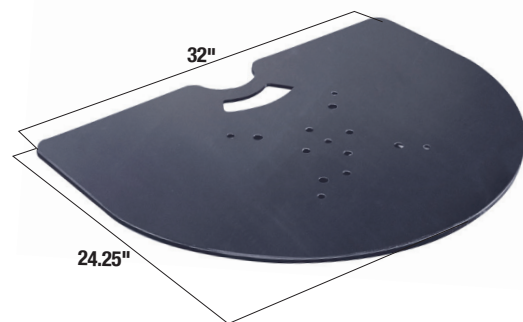
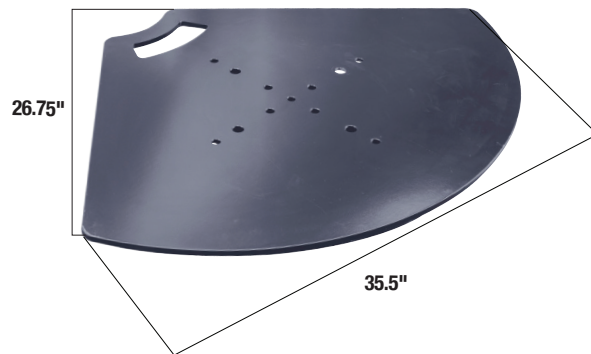
SKU	DESCRIPTION	WEIGHT
PBH30DSB	For 12", 20.5", and 290mm box truss.	71.5 lbs
PBH30DSB-wheels	For 12", 20.5", and 290mm box truss with wheels	79 lbs

OPTIONAL

PBH-30DSBW
 Pro Steel Circular Base Plate with
 3" Caster w/Brakes,
 Black: 30" Diameter, 3/8" Thick
CASTERS OPTIONAL



**1-1/2 SCHEDULE 40
 FLANGE BASE PLATE
 ADAPTOR**



OPTIONAL:
 CASTERS

Our base plate carts are a must have for touring, production & rental companies. These aluminum carts are available in 3 different sizes for 30"/36"/48" squared base plates.

PBH1236WC6



**36"X36"
 BASE PLATE CART**

SKU	DESCRIPTION
PBH1200WC8	Holds up to 8, 30" x 30" Base Plates
PBH1236WC6	Holds up to 6, 36" x 36" Base Plates
PBH1248WC4	Holds up to 4, 48" x 48" Aluminum Base Plates

PBH1200WC-8
 FRONT VIEW



**30"x 30"
 BASE PLATE CART**

PBH1236WC6
 SIDE VIEW



**36"x 36"
 BASE PLATE CART**

PBH1248WC4
 BACK VIEW



**48"x 48"
 BASE PLATE CART**

3/4" MINI HALF COUPLERS


SKU	FINISH	WORKING LOAD
LAC25XS	Polished	60 kg
LAC25XSB	Black	60 kg
LAC25XSW	White	60 kg

1" SMALL HALF COUPLERS


SKU	FINISH	WORKING LOAD
LAC25S	Polished	60 kg
LAC25SB	Black	60 kg
LAC25SW	White	60 kg

2" SLIM HALF COUPLERS

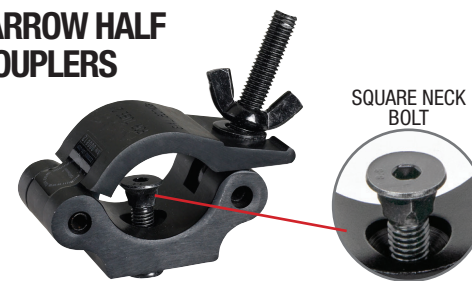

SKU	FINISH	WORKING LOAD
LACMS30	Polished	75 kg
LACQ30B	Black	75 kg

2" SLIM HALF COUPLERS WITH WING NUT


SKU	FINISH	WORKING LOAD
LACML30	Polished	75 kg
LACML30B	Black	75 kg

2" HALF COUPLERS STANDARD


SKU	FINISH	BOLT TYPE	WORKING LOAD
LACP50R	Polished	Round Neck Bolt	500 kg
LACP50RB	Black	Round Neck Bolt	500 kg
LACP50S	Polished	Square Neck Bolt	500 kg
LACP50SB	Black	Square Neck Bolt	500 kg
LACP50L	Polished	Large Wing Nut	500 kg

2" NARROW HALF COUPLERS


SKU	FINISH	BOLT TYPE	WORKING LOAD
LACP30R	Polished	Round Neck Bolt	300 kg
LACP30RB	Black	Round Neck Bolt	300 kg
LACP30S	Polished	Square Neck Bolt	300 kg
LACP30SB	Black	Square Neck Bolt	300 kg

3/4" MINI SWIVEL COUPLERS

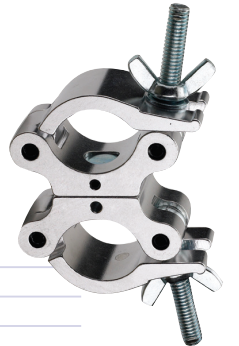

SKU	FINISH	WORKING LOAD
LACSD25XS	Polished	60 kg
LACSD25XSB	Black	60 kg
LACSD25XSW	White	60 kg

1" SMALL SWIVEL COUPLERS


SKU	FINISH	WORKING LOAD
LACSD25S	Polished	60 kg
LACSD25SB	Black	60 kg
LACSD25SW	White	60 kg

2" NARROW SWIVEL COUPLERS


SKU	FINISH	WORKING LOAD
LACSDP30	Polished	300 kg
LACSDP30B	Black	300 kg

2" SWIVEL COUPLERS


SKU	FINISH	WORKING LOAD
LACSDP50	Polished	500 kg
LACSDP50B	Black	500 kg

3/4" MINI HALF COUPLER WITH EYE BOLT


SKU	FINISH	WORKING LOAD
LACE25XS	Polished	60 kg
LACE25XSB	Black	60 kg
LACE25XSW	White	60 kg

1" SMALL HALF COUPLER WITH EYE BOLT


SKU	FINISH	WORKING LOAD
LACE25S	Polished	60 kg
LACE25SB	Black	60 kg
LACE25SW	White	60 kg

2" NARROW HALF COUPLER WITH EYE BOLT


SKU	FINISH	WORKING LOAD
LACPE30	Polished	300 kg
LACPE30B	Black	300 kg

2" HALF COUPLER WITH EYE BOLT


SKU	FINISH	WORKING LOAD
LACPE50	Polished	500 kg
LACPE50B	Black	500 kg

2" QUICK RIG PRO CLAMPS


SKU	FINISH	FIT TUBE O.D. SIZE	WORKING LOAD
LACQ30	Polished	38mm - 51mm	150 kg
LACQ30B	Black	38mm - 51mm	150 kg

2" TRIGGER PRO CLAMPS

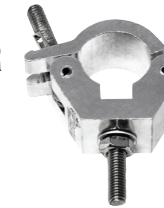

SKU	FINISH	FIT TUBE O.D. SIZE	WORKING LOAD
LACT28	Polished	38 mm - 51mm	150 kg
LACT28B	Black	38 mm - 51mm	150 kg

1-1/4" - 2" C-CLAMP

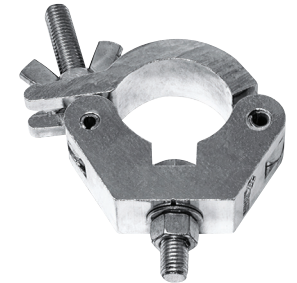

SKU	FINISH	FIT TUBE O.D. SIZE	WORKING LOAD
LAC28	Polished	38mm - 51mm	100 kg

1" - 2" G-CLAMP

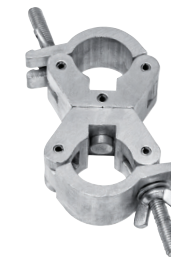

SKU	FINISH	FIT TUBE O.D. SIZE	WORKING LOAD
LACP	Polished	25mm - 51mm	200 kg
LACPB	Black	25mm - 51mm	200 kg

1-1/8" HALF COUPLER MEDIUM DUTY

MD

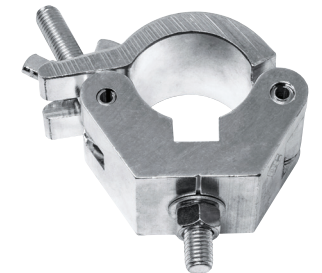
SKU	WORKING LOAD
CSC1201	200 kg

2" HALF COUPLER MEDIUM DUTY

MD

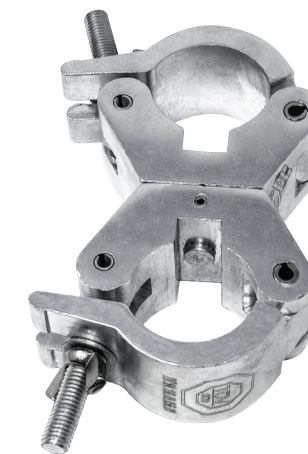
SKU	WORKING LOAD
CSC120030	500kg

1-1/8 SWIVEL COUPLER MEDIUM DUTY

MD

SKU	WORKING LOAD
CSC1202	200 kg

2" HALF COUPLER HEAVY DUTY

HD

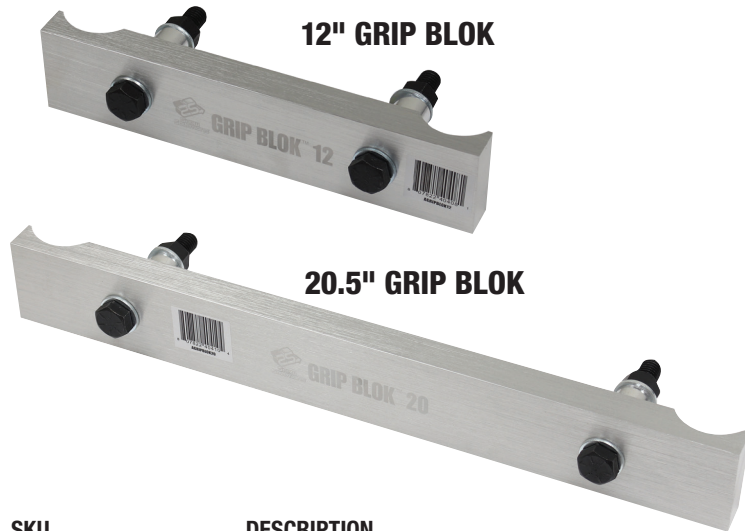
SKU	WORKING LOAD
CSC120050	700 kg

2" SWIVEL COUPLER HEAVY DUTY

HD

SKU	WORKING LOAD
CSC122050	700 kg

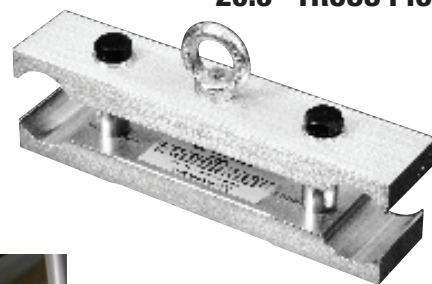
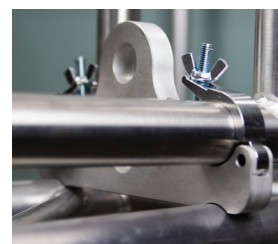
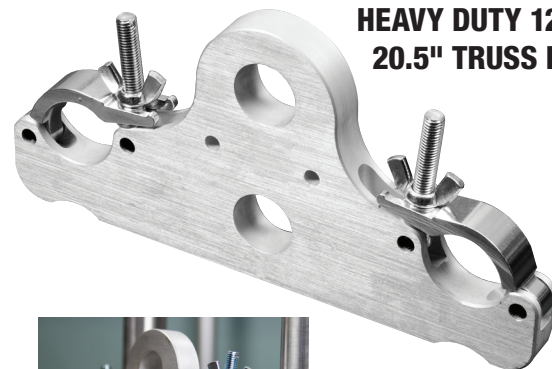
GRIP BLOKS™ AND TRUSS PICKS

Our solid aluminum Grip Bloks™ and truss picks are essential tools for pro rigging, and are compatible with virtually all industry standard trussing. Available in two sizes 12" and 20.5" truss in natural aluminum and black.



SKU	DESCRIPTION
GRIPBLOK12	12" Truss Grip Blok
GRIPBLOK20	20.5" Truss Grip Blok

SKU	DESCRIPTION
GRIPBLOK12BLK	12" Truss Grip Blok in Black
GRIPBLOK20BLK	20.5" Truss Grip Blok in Black

LOW PROFILE 12" AND 20.5" TRUSS PICKS

HEAVY DUTY 12" AND 20.5" TRUSS PICKS


SKU	DESCRIPTION
TRUSSPICK12LP	12" Low Profile Truss Picks
TRUSSPICK12LPB	12" Low Profile Truss Picks in Black
TRUSSPICK20LP	20.5" Low Profile Truss Picks
TRUSSPICK20LPB	20.5" Low Profile Truss Picks in Black

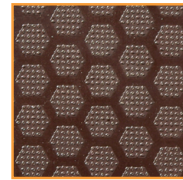
SKU	DESCRIPTION
TRUSSPICK12HD	12" Truss Pick
TRUSSPICK12HDB	12" Truss Pick in Black
TRUSSPICK20HD	20.5" Truss Pick
TRUSSPICK20HDB	20.5" Truss Pick in Black

Our adjustable level Light Bar Rack is designed to transport and store 6 bars with the fixtures installed. Perfect for larger fixture bars such as Par 64s, Leko's, and ACL par bars. Cart features 8 heavy duty 4" casters


PAR BAR RACK


Adjustable Bar Racks for various level light bar height

SKU	DESCRIPTION
LBRR	Aluminum/steel Par bar rolling rack for up to 6 Par bars

DD-4848H
 48" x 48" Hard Deck

 Hard Surface
 Industrial Board

Our Duro Deck Stage System is easy to set up and store. Decks are available in two finishes. Hard Surfaces (Industrial Board) and charcoal color carpeted surface. Available sizes (24" x 48", 48" x 48") and can be set up at any of the available four heights of collapsible risers (8", 16", 24" or 32").

Duro Decks can be connected and locked together for small or large staging set ups.

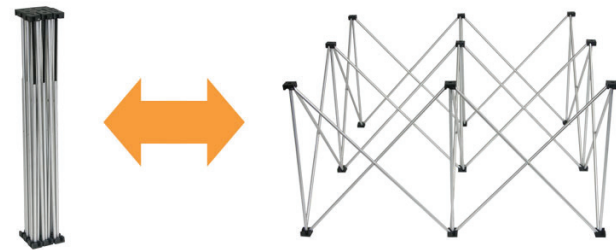
SKU	DESCRIPTION
DD-4824H	48" x 24" Hard Surface Deck
DD-4848H	48" x 48" Hard Surface Deck
DD-4824C	48" x 24" Carpeted Surface Deck
DD-4848C	48" x 48" Carpeted Surface Deck

DD-484808R
 48" x 48" Riser, 8" High


Carpeted Surface

The Duro Deck collapsible risers are lightweight and compact, taking up very little space when stored away. Fully expand each collapsible riser and place the Duro Deck stage platform on top for simple, fast setup.

SKU	DESCRIPTION
DD-482408R	48" x 24" Riser- 8" High
DD-482416R	48" x 24" Riser-16" High
DD-482424R	48" x 24" Riser-24" High
DD-482432R	48" x 24" Riser-32" High
DD-484808R	48" x 48" Riser- 8" High
DD-484816R	48" x 48" Riser-16" High
DD-484824R	48" x 48" Riser-24" High
DD-484832R	48" x 48" Riser-32" High

DD-4848C
 48" x 48" Carpeted Deck


Retractable / Expandable compact design

(48" X 24" DECKS SOLD SEPARATELY)


DD-482432R
 48" x 24" Riser,
 32" High

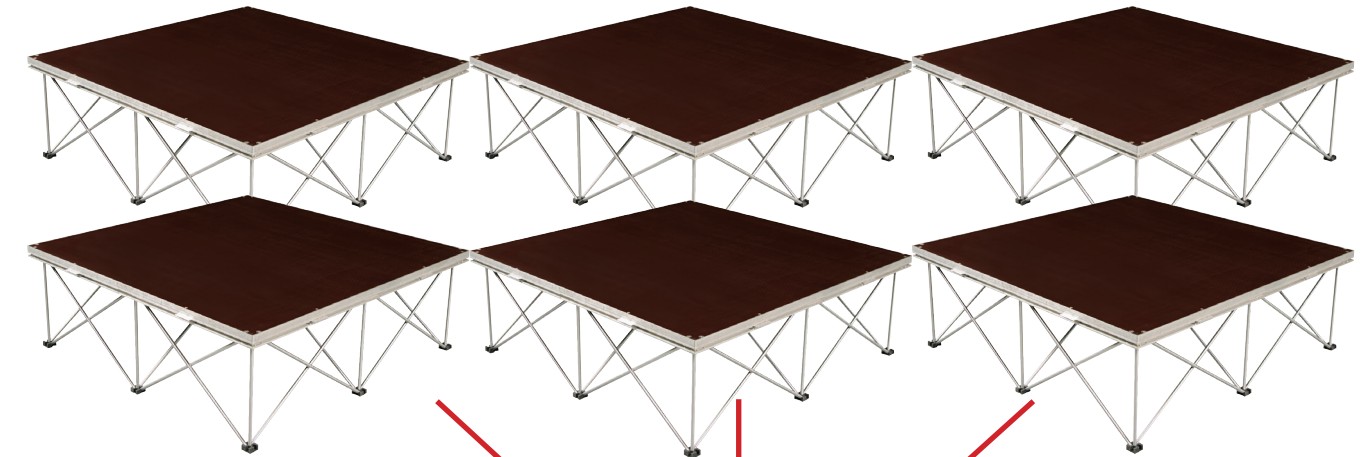
DD-482424R
 48" x 24" Riser,
 24" High

DD-482416R
 48" x 24" Riser,
 16" High

DD-482408R
 48" x 24" Riser,
 8" High


The Duro Deck Road Case protects and transports 6 Duro Decks in an innovative case that features a removeable side and top to allow easy access when loading in and out.

SKU	DESCRIPTION
DD4824X6WPRO	Flight Case for six 48" x 24" Decks w/Risers
DDRCKIT6PRO	Flight Case for six 48" x 48" Decks w/Risers
DDRCKIT6	Flight Case for six 48"x 48" Stage Platforms only (no risers)





PS-4X8
4' x 8' Hard Surface Pro Stage Deck

The Mobile Pro Stage provides savings in time and labor with its easy setup and tear down design while still having the feel of a permanent stage.

Three configurations of knob plate support to deck attachment are available to work with when designing your stage.

The coffin lock connectors provide a quick and solid attachment between decks.

Stage heights can be easily and quickly adjusted and are secured with the dual locking systems on each vertical support pipe. The folding X-Frame supports are assembled without any additional tools.

FEATURES

- 4' x 8' Hard Surface Decks
- Coffin Interlocking System
- 48" to 72" Height Folding X Frame
- 6" adjustable leveling feet
- Dual Locking Stage Support
- Guard Rails available in 48" and 96" length.

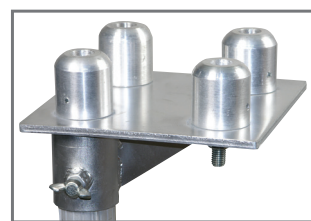
SKU	DESCRIPTION
PS-4X8	4' x 8' Hard Surface Pro Deck
PS-4X8R	48" - 72" Adjustable X Frame Pro Riser
PS-KP1	Single Knob Riser-Deck Connecting Plate
PS-KP2	Dual Knob Riser-Deck Connecting Plate
PS-KP4	Quad Knob Riser-Deck Connecting Plate
PS-HR48	48" Guard/Hand Rail for Pro Staging
PS-HR96	96" Guard/Hand Rail for Pro Staging



PS-KP1
Single Knob Plate



PS-KP2
Dual Knob Plate



PS-KP4
Quad Knob Plate



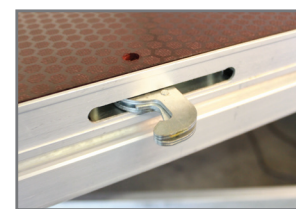
Folding X Frame
Stage Support



Dual Locking
Stage Support



Leveling Feet
Adjusts up to 6'



Coffin Interlocking
System



DD4812R24H
48" wide 3 Step Kit



DD4812R16H
48" wide 2 Step Kit



DD4812R08H
48" wide 1 Step Kit

Our Step Kits provide a 48" wide, 12" step for easy access to your stage. Choose a 1, 2 or 3 step kit to match stage height.

SKU	DESCRIPTION
DD-4812R08*	Step w/8" Riser
DD-4812R16*	2 Steps w/8" & 16" Risers (1 ea)
DD-4812R24*	3 Steps w/8" 16" & 24" Risers (1 ea)

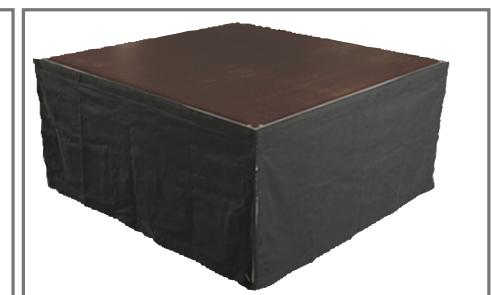
*Use "C" for carpet or "H" for hard surface

The optional Stage Skirts clip on easily and cover risers for a clean look. Available in either U.S. made Duvetyne or standard felt. Both styles are flame retardant, 4' in length and available in 8", 16", 24" and 32" height sizes.

SKU	DESCRIPTION
SKIRTS (16oz Duvetyne -Made in U.S.A.) Non Pleated	
DD-SKIRT 4809-US	4' Wide Black Skirt- 8" High
DD-SKIRT 4816-US	4' Wide Black Skirt- 16" High
DD-SKIRT4824-US	4' Wide Black Skirt- 24" High
DD-SKIRT4832-US	4' Wide Black Skirt- 32" High

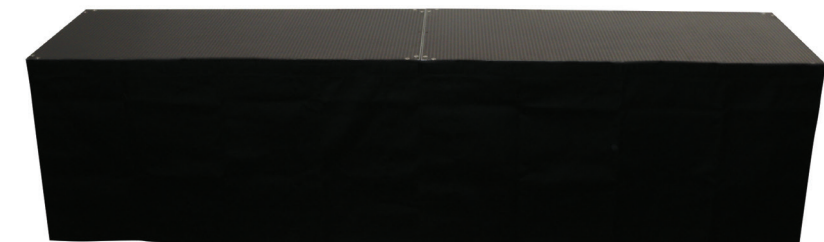


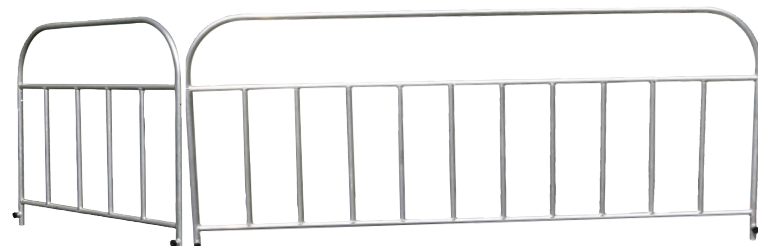
Each skirt includes
4 clips or fasteners



Use multiple skirts
to cover corners

DD-SKIRT4832
4' wide by 32" high Stage Skirt



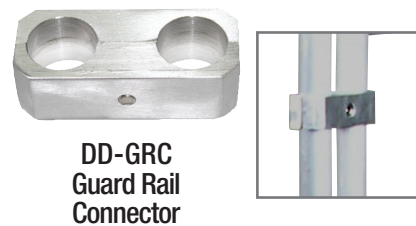

DD-GR4
 4' Wide, 40" Tall
 Stage Guard Rail

DD-GR8
 8' Wide, 40" Tall
 Stage Guard Rail

Our Duro Deck Guard Rails come in 4' & 8' lengths. Made of 6061-T6 high polished aluminium, each rail features 1" tubing with heavy duty connectors that can be easily attached at each corner of our Duro Decks.

Each rail takes less than five minutes to attach and can be used with any height stage setup for added safety.

SKU	DESCRIPTION
DD-GR4	4" Wide, 40" Tall Stage Guard Rail
DD-GR8	8" Wide, 40" Tall Stage Guard Rail
CD-ROM	Guard Rail Connector
DD-SCP	Stage Corner Plate
DD-GRS	Guard Rail Stud
DD-GB2	Groove Block
DD-CLAMP	Step Clamp
DD-CS4	4' Chair Stopper with hardware
DD-CS8	8' Chair Stopper with hardware
DD-GR2S	Guard Rail for 2 step Stage Ladder
DD-GR3S	Guard Rail for 3 step Stage Ladder


**SHOW SOLUTIONS
 STAGE KREW™ GLOVES**

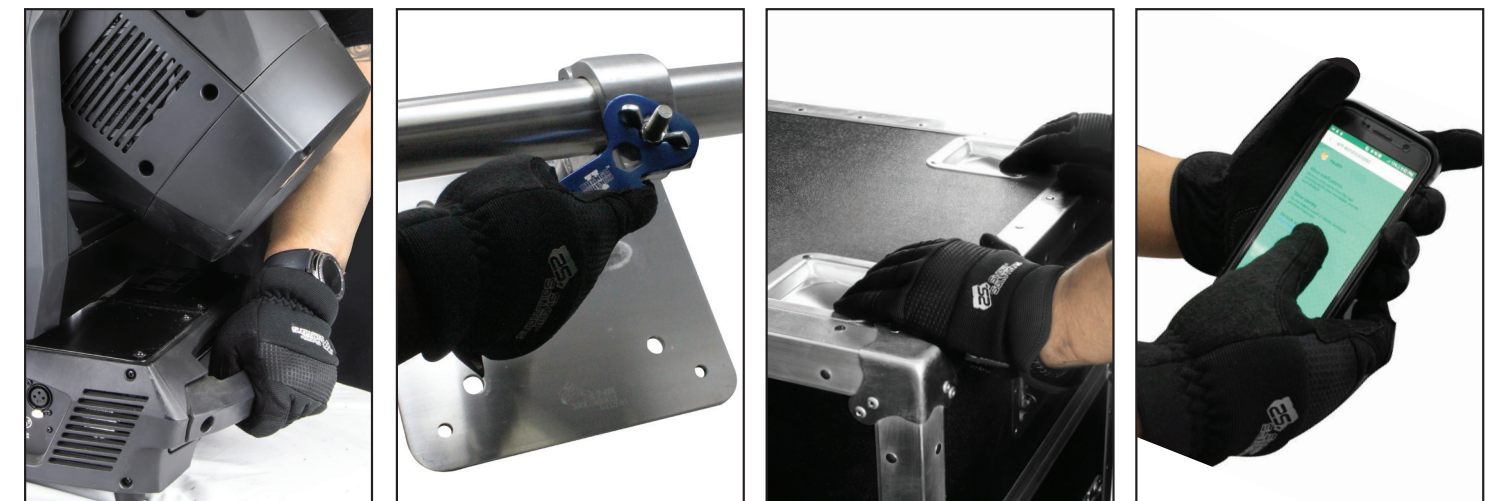
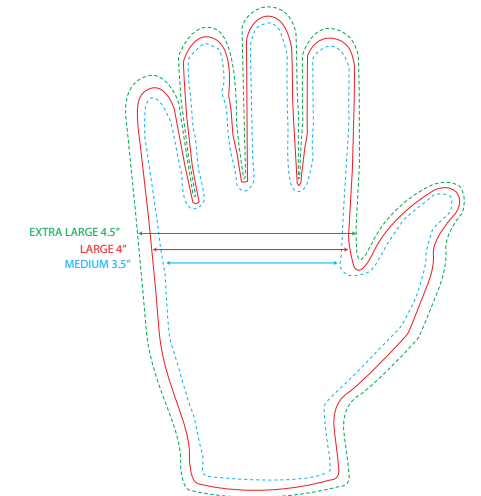
are a must have for working production crews, light tech, riggers and roadies. Available in three sizes.

FEATURES

- Made of High Quality Flexible Fabric with a Sure Grip Palm Faux Leather Stitched Bottom
- Convenient No Slip Elastic Wrist Grip
- Conductive Fingertips Allow Use With Capacitive Touch Screen Devices
- Machine Washable



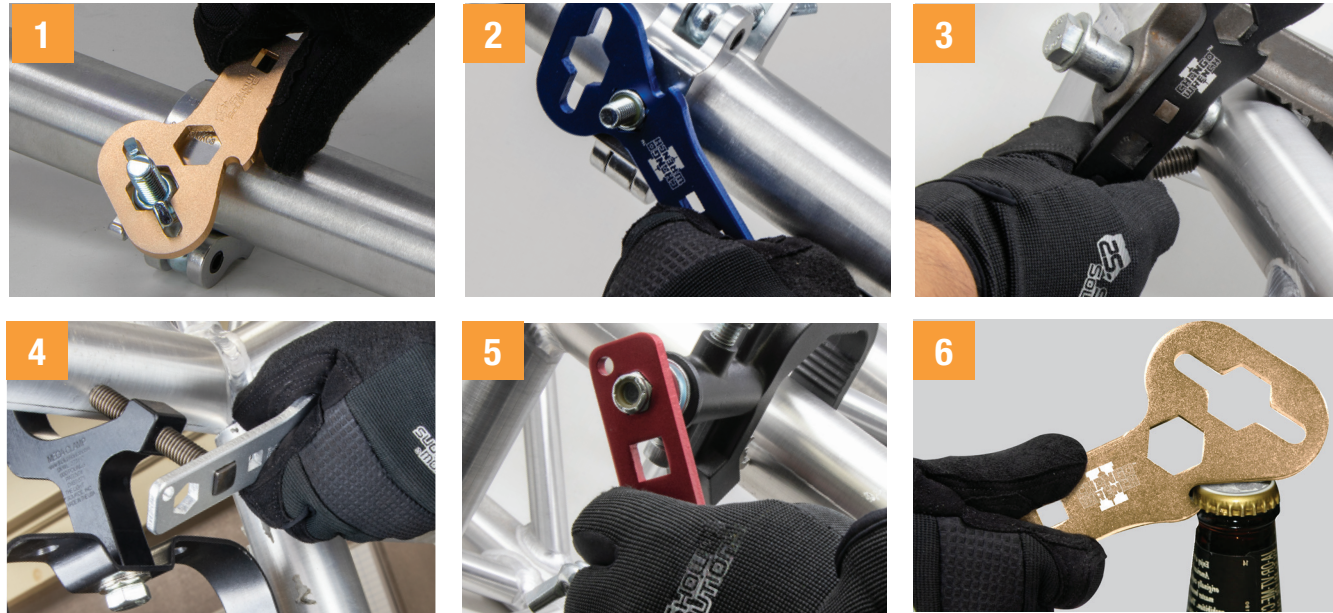
SKU	DESCRIPTION
SKSSGL	LARGE SIZE GIG GLOVES
SKSSGM	MEDIUM SIZE GIG GLOVES
SKSSGXL	XTRA LARGE SIZE GIG GLOVES



CHANGO WRENCH II™
Show Solutions Ch
tightening and loos
with most clamps &



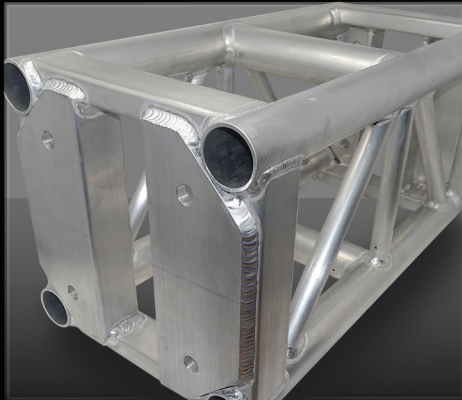
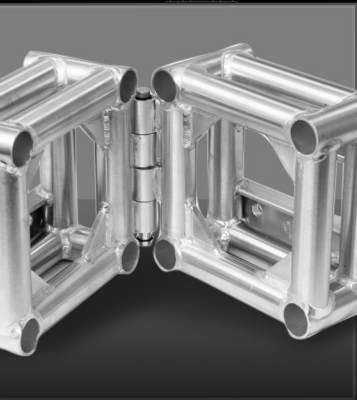
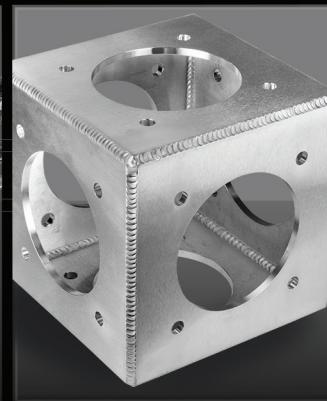
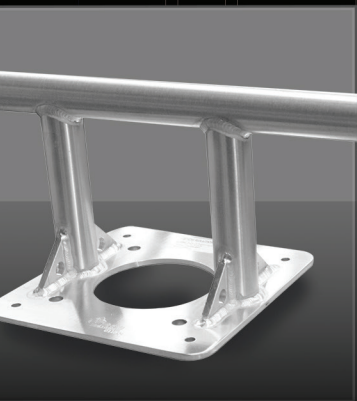
Examples of the many uses



AMW2BLK PRO "Chango" Monkey Wrench II, Black	AM2BLU PRO "Chango" Monkey Wrench II, Blue	AM2GLD PRO "Chango" Monkey Wrench II, Gold	AM2RED PRO "Chango" Monkey Wrench II, Red	AM2SIL PRO "Chango" Monkey Wrench II, Silver
--	--	--	---	--



**SHOW[®]
SOLUTIONS**
STRONG STRUCTURAL SUPPORT MADE EASY!



SHOW SOLUTIONS[®]
Copyright © 2018 Show Solutions
809 West Santa Anita St, San Gabriel, CA 91776
Tel: (626) 588-2527 • Fax: (626) 588-2525

www.ShowSolutions.com