



SHOW SOLUTIONS[®]

STRONG STRUCTURAL SUPPORT MADE EASY!



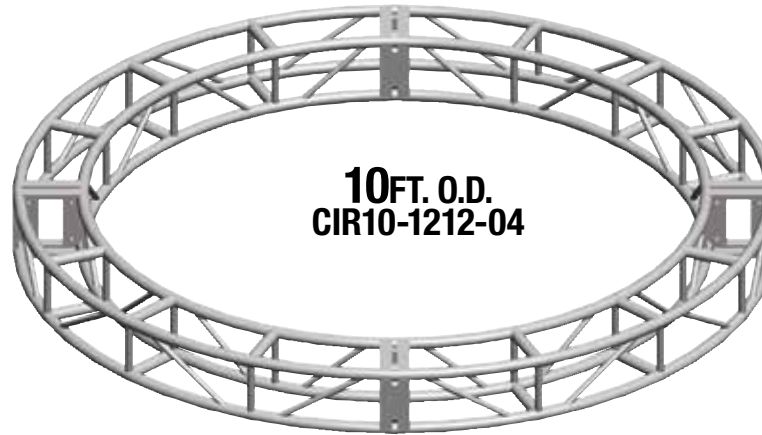
www.ShowSolutions.com



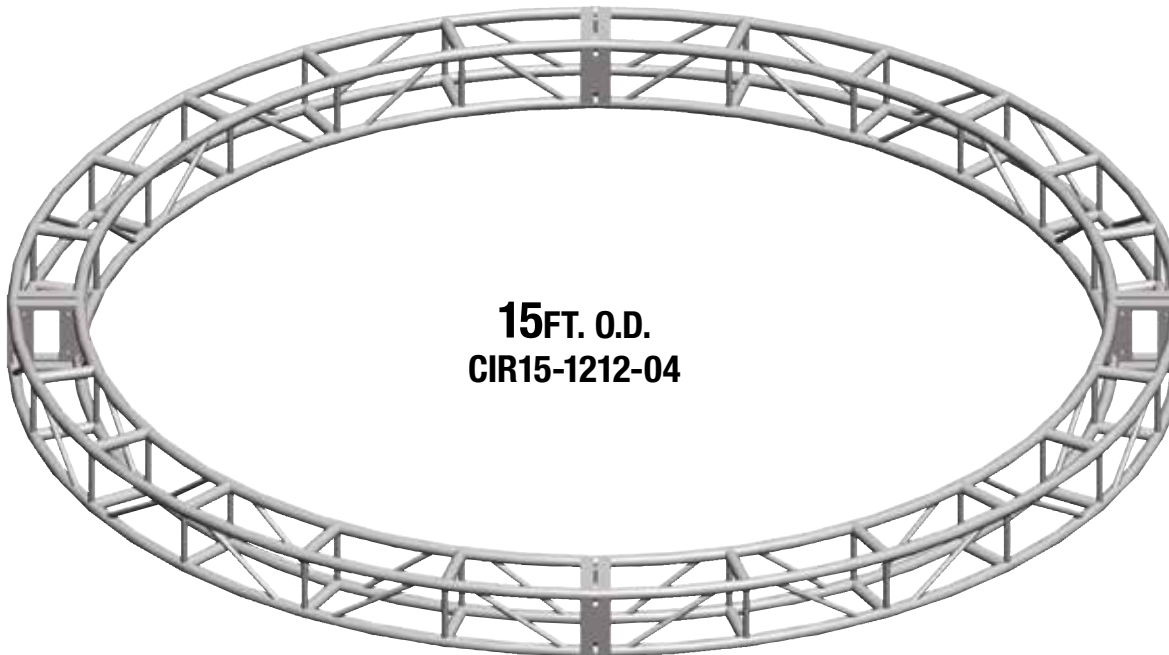
Show Solutions specializes in custom circle truss configurations.

Our ability to work with you in the design and production is what makes us the go-to company for custom circles from a diameter of 5 feet to 100 feet, in the segments you want to work with as well.

And yes, we can custom powder coat to suit the project as well.



10FT. O.D.
CIR10-1212-04



15FT. O.D.
CIR15-1212-04

Our Pro Circle Truss is an industry standard used by concert tours, production houses, theatres, trade shows, houses of worship and large scale stage set-ups. Compatible with industry standard plated truss bolt pattern.

The 12" box 2" OD main tube truss is made of 6061-T6 aluminium and is compatible with the industry standard plated truss bolt pattern.

FEATURES

- Compatible with industry standard plated truss bolt pattern.
- 6061-T6 Aluminium Finish
- 12" x 12"
- 2" x 1/8" Main Tube
- 1" x 1/8" Diagonal Brace
- Bolts Included

STOCK SIZES	DESCRIPTION
CIR06-1212-02	6' OD diameter, 2 sections
CIR10-1212-04	10' OD diameter, 4 sections
CIR10-1212-06	10' OD diameter, 6 sections
CIR15-1212-04	15' OD diameter, 4 sections
CIR15-1212-06	15' OD diameter, 6 sections
CIR20-1212-08	20' OD diameter, 8 sections
CIR30-1212-08	30' OD diameter, 8 sections
CIR40-1212-16	40' OD diameter, 16 sections
CIR50-1212-16	50' OD diameter, 16 sections
CIR100-1212	100' OD diameter, ?sections

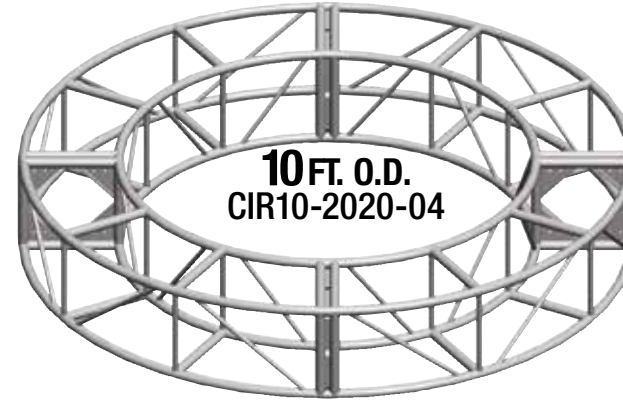
Our **20.5"x 20.5"** Pro Circle Truss is built to the highest industry standards and is used in large scale production touring companies and utilized in concert venues worldwide.

Our ability to work with you in the design and production is what makes us the go-to company for custom circles from a diameter of 5 feet to 100 feet, in the segments you want to work with as well.

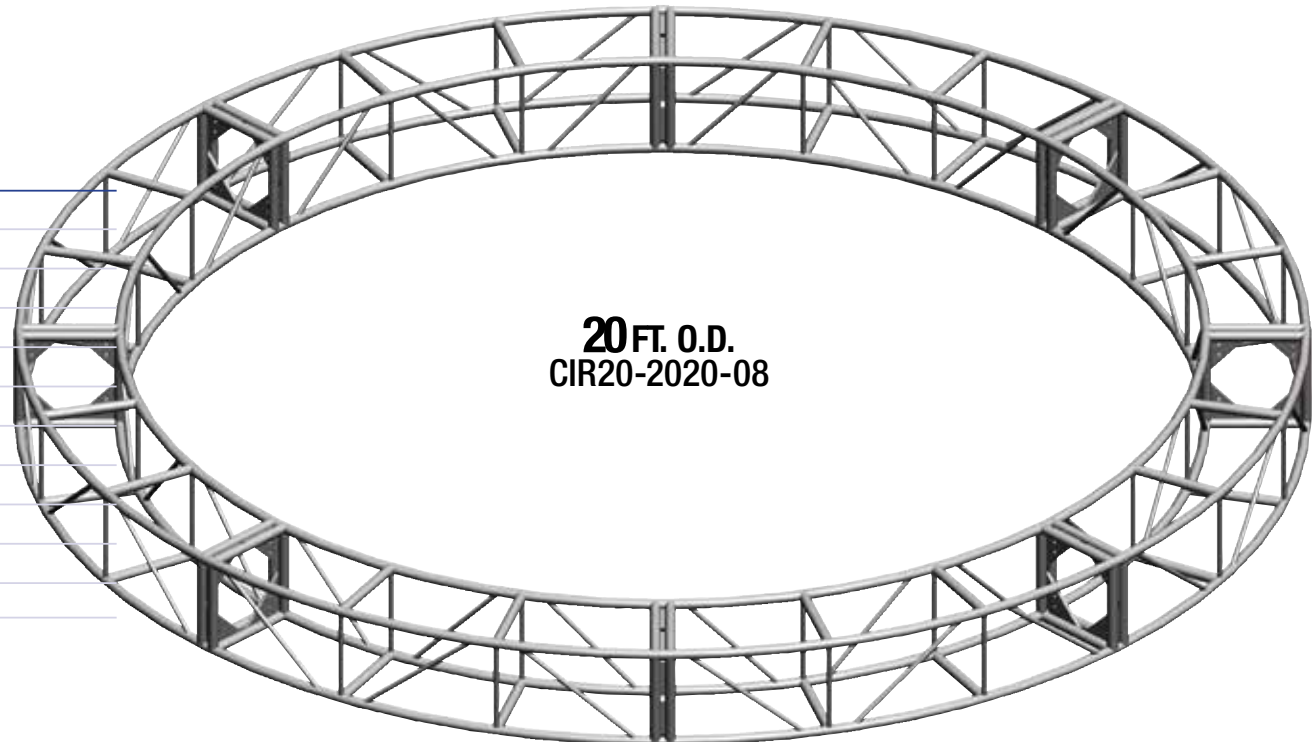
FEATURES

- Compatible with industry standard plated truss bolt pattern
- 6061-T6 Aluminium Finish
- 20.5" x 20.5" Square
- 2" x 1/8" Main Tube
- 1" x 1/8" Diagonal Brace
- Bolts Included

STOCK SIZES	DESCRIPTION
CIR10-2020-04	10' OD diameter, 4 sections
CIR15-2020-08	15' OD diameter, 8 sections
CIR20-2020-08	20' OD diameter, 8 sections
CIR24-2020-08	24' OD diameter, 8 sections
CIR25-2020-08	25' OD diameter, 8 sections
CIR30-2020-10	30' OD diameter, 10 sections
CIR30-2020-12	30' OD diameter, 12 sections
CIR40-2020-12	40' OD diameter, 12 sections
CIR50-2020	
CIR100	



**Custom Diameters and Colors Available.
Call for a free quote.**





Our ST1212 **12" x 12"** Pro Series truss is designed and built to today's industry's standards, used by lighting designers, fitness & ninja gyms, theme parks, houses of worship, concert tours, production houses, and large scale stage set-up companies.

The main chord is constructed of 2"OD x 1/8" 6061-T6 aluminum tubing, and plates that are compatible with industry standard bolt patterns.

FEATURES

- Compatible with industry standard plated truss bolt pattern.
- 6061-T6 Aluminum
- 12" x 12" Square Box Truss
- 2" OD x 1/8" Main Chords
- 1" OD x 1/8" Diagonals

SKU	DESCRIPTION
ST-1212-012	12" LONG (1 ft)
ST-1212-018	18" LONG (1 ft)
ST-1212-024	24" LONG (2 ft)
ST-1212-030	30" LONG (2 ft)
ST-1212-036	36" LONG (3 ft)
ST-1212-048	48" LONG (4 ft)
ST-1212-060	60" LONG (5 ft)
ST-1212-072	72" LONG (6 ft")
ST-1212-084	84" LONG (6 ft")
ST-1212-096	96" LONG (8 ft")
ST-1212-108	108" LONG (8 ft")
ST-1212-120	120" LONG (10 ft)

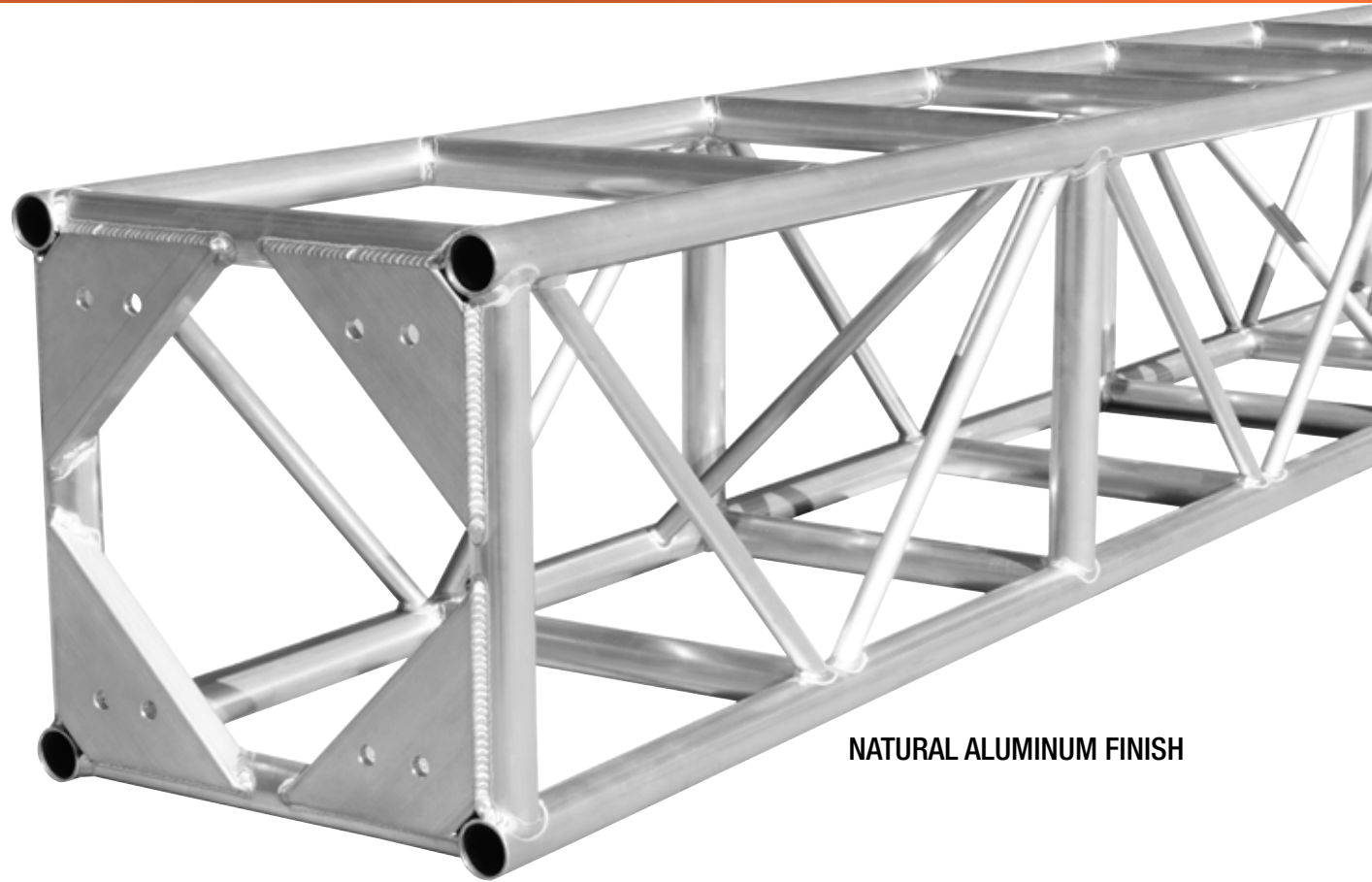
12 X 12 ST 12 PRO SERIES Maximum Allowable Uniform Loads

SPAN ft. (m)	Load lbs/ft.	Load lbs (kg)	Max Defl. In	Center Point		Third Point		Quarter Point	
				Load lbs (kg)	Max Defl. In	Load lbs (kg)	Max Defl. In	Load lbs (kg)	Max Defl. In
10 (3.05)	472	4720 (2141)	0.32	2710 (1229)	0.29	1744 (791)	0.33	1110 (503)	0.31
20 (6.10)	115	2300 (1043)	0.65	1206 (547)	0.56	888 (403)	0.68	633 (287)	0.68
30 (9.14)	60	1800 (816)	1.63	880 (399)	1.31	600 (272)	1.48	428 (194)	1.54
40 (12.2)	31	1240 (562)	2.68	580 (263)	2.04	442 (200)	2.62	308 (140)	2.54

Our ST2020 **20.5" x 20.5"** Pro Series is the industry standard Truss used by concert tours, production houses and large scale staging companies. The main chord is made of a 2" O.D. x 1/8" 6061-T6 aluminum tube, and the bolt plates are compatible with industry standard bolt patterns.

FEATURES

- Compatible with industry standard plated bolt pattern
- 6061-T6 Aluminum
- 20.5"x 20.5" Square
- 2" OD x 1/8" Main Chords
- 1" OD x 1/8" Diagonals



NATURAL ALUMINUM FINISH

SKU	DESCRIPTION
ST-2020-024	24" LONG (2 ft)
ST-2020-036	36" LONG (3 ft)
ST-2020-048	48" LONG (4 ft)
ST-2020-060	60" LONG (5 ft)
ST-2020-072	72" LONG (6 ft)
ST-2020-096	96" LONG (8 ft)
ST-2020-120	120" LONG (10 ft)

20.5 X 20.5 ST 20 PRO SERIES Maximum Allowable Uniform Loads									
SPAN ft. (m)	Uniform Load			Center Point		Third Point		Quarter Point	
	Load lbs/ft.	Load lbs (kg)	Max Defl. In	Load lbs (kg)	Max Defl. In	Load lbs (kg)	Max Defl. In	Load lbs (kg)	Max Defl. In
10 (3.05)	840	8400 (3810)	0.19	4745 (2152)	0.18	3450 (1565)	0.20	2270 (1030)	0.19
20 (6.10)	230	4600 (2087)	0.44	2306 (1046)	0.38	1729 (784)	0.43	1153 (523)	0.42
30 (9.14)	105	3150 (1429)	0.88	1510 (684)	0.70	1120 (508)	0.85	810 (367)	0.90
40 (12.2)	55	2200 (998)	1.41	1080 (490)	1.14	800 (363)	1.40	540 (245)	1.33

CORNER BLOCKS

12"x 12"

www.ShowSolutions.com



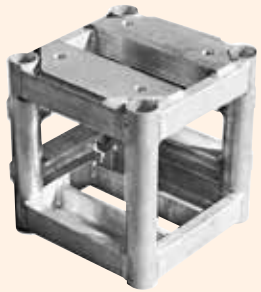
2 WAY BLOCK FOR 12"x 12" square trussing

SKU	DESCRIPTION
CB12-2WAY	2-way block for 12"x 12" square trussing



3 WAY BLOCK FOR 12"x 12" square trussing

SKU	DESCRIPTION
CB12-3WAY	3-way block for 12"x 12" square trussing



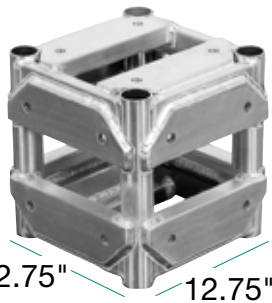
4 WAY CORNER BLOCK

SKU	DESCRIPTION
CB12-4WAY	4-way corner block
CB12-4WAY-B	4-way corner block/



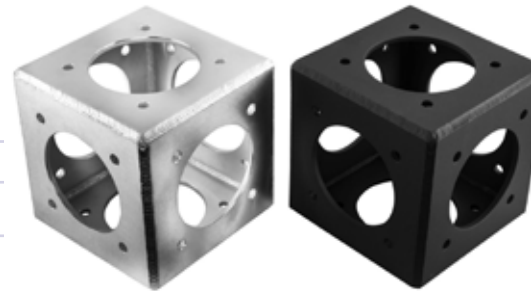
5 WAY CORNER BLOCK

SKU	DESCRIPTION
CB12-5WAY	5-way corner block
CB12-5WAY-B	5-way corner block/BLACK



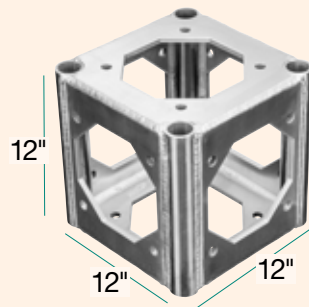
6 WAY CORNER BLOCK

SKU	DESCRIPTION
CB12-6WAY	6-way corner block
CB12-6WAY-B	6-way corner block/ BLACK



6 WAY CORNER BLOCK TRUE 12"x 12" x 12"

SKU	DESCRIPTION
CB12-FLUSH	6-way flush corner block
CB12-FLUSH-B	6-way flush corner block/ BLACK



6 WAY CORNER BLOCK

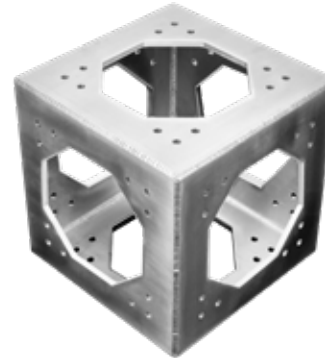
TRUE 12"x 12" x 12"

SKU	DESCRIPTION
CB12-FLUSH-HD	12" LONG 12" x 12" Block
CB12-FLUSH-HDB	12" LONG 12" x 12" Block/BLACK

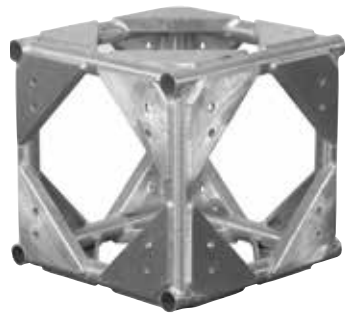
Our ST PRO 20.5" Corner Blocks are made of 6061T-6 aluminum. They feature a 10mm thick solid aluminum end plates to securely connect trussing onto any side.

FEATURES:

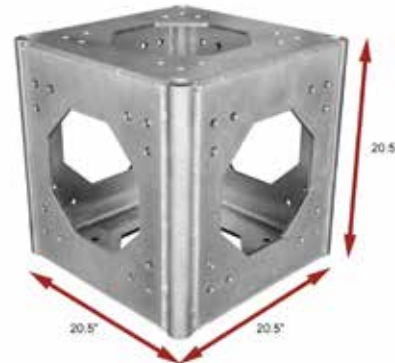
- Compatible with industry standard plated truss bolt pattern.
- 6061-T6 Aluminum Finish


TRUE 20.5" x 20.5" x 20.5" BLOCK

SKU	DESCRIPTION
CB20-6WAY	6-Way corner block for 20.5" x 20.5"


6 WAY CORNER BLOCK FOR 20.5"

SKU	DESCRIPTION
CB20-6WAY-5MM	6-Way corner block for 20.5" x 20.5" Truss


6 WAY FLUSHED CORNER BLOCK FOR 20.5"

SKU	DESCRIPTION
CB20-6WAY-HD-5	6-Way corner block for 20.5" x 20.5"

6 WAY CORNER BLOCK FOR 20.5"

SKU	DESCRIPTION
CB20-6WAY-3175	6-Way corner block for 20.5" x 20.5" Truss

6 WAY FLUSHED CORNER BLOCK FOR 20.5"

SKU	DESCRIPTION
CB20-6WAY-HD-3175	6-Way corner block for 20.5" x 20.5"

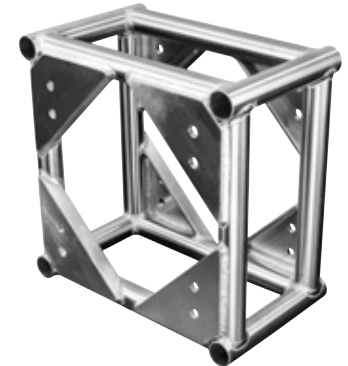


12" X 12" SPACER

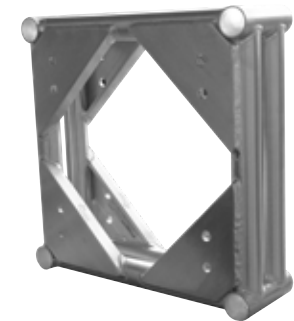
6",10",12"

SKU	DESCRIPTION
ST-1212-0003	
ST-1212-0005	
ST-1212-001	1" LONG 12" x 12" Spacer
ST-1212-002	2" LONG 12" x 12" Spacer
ST-1212-003	3" LONG 12" x 12" Spacer
ST-1212-004	4" LONG 12" x 12" Spacer
ST-1212-005	5" LONG 12" x 12" Spacer
ST-1212-006	6" LONG 12" x 12" Spacer

ST-2020-012



ST-2020-006



20.5" X 20.5" SPACER

6",10",12"

SKU	DESCRIPTION
ST-2020-003	3" LONG 20.5" x 20.5" Spacer
ST-2020-0035	
ST-2020-004	4" LONG 20.5" x 20.5" Spacer
ST-2020-006	6" LONG 20.5" x 20.5" Spacer
ST-2020-007	7" LONG 20.5" x 20.5" Spacer

ANGLE BLOCKS

Our **12"x 12"** and **20.5"x 20.5"** angle blocks are an industry standard used by concert tours, production houses and large scale rigging companies. Available in 22.5° - 60°. We also specialize in Custom Angles.

FEATURES:

- Compatible with industry standard plated truss bolt pattern.

12" X 12" ANGLE BLOCKS

22.5°

SKU	DESCRIPTION	FITS
AB12-022	22.5 Degree Angle Block	12"x 12" Truss
AB12-022-B	22.5 Degree Angle Block/BLACK	12"x 12" Truss
AB12-022HD	22.5 Degree Angle Block, Heavy Duty	12"x 12" Truss
AB12-022HD-B	22.5 Degree Angle Block, Heavy Duty/BLACK	12"x 12" Truss
AB12-022-CURVED	22.5 Degree Curved Angle	12"x 12" Truss
AB12-022-CURVED-B	22.5 Degree Curved Angle/BLACK	12"x 12" Truss

AB12-022



AB12-022HD

12" X 12" ANGLE BLOCKS

30°

SKU	DESCRIPTION	FITS
AB12-030	30 Degree Angle Block	12"x 12" Truss
AB12-030-B	30 Degree Angle Block/BLACK	12"x 12" Truss
AB12-030-CURVED	30 Degree Curved Angle	12"x 12" Truss
AB12-030-CURVED-B	30 Degree Curved Angle/BLACK	12"x 12" Truss

AB12-030-CURVED



12" X 12" ANGLE BLOCKS

45°

SKU	DESCRIPTION	FITS
AB12-045	45 Degree Angle Block	12"x 12" Truss
AB12-045-B	45 Degree Angle Block/BLACK	12"x 12" Truss
AB12-045HD	45 Degree Angle Block, Heavy Duty	12"x 12" Truss
AB12-045HD-B	45 Degree Angle Block, Heavy Duty/BLACK	12"x 12" Truss
AB12-045-CURVED	45 Degree Curved Angle	12"x 12" Truss



AB12-045-CURVED-B

12" X 12" ANGLE BLOCKS

60°

SKU	DESCRIPTION	FITS
AB12-060-4WAY	60 Degree Angle Block	12"x 12" Truss
AB12-060-4WAY-B	60 Degree Angle Block/BLACK	12"x 12" Truss
AB12-060-CURVED	60 Degree Curved Angle	12"x 12" Truss
AB12-060-CURVED-B	60 Degree Curved Angle/BLACK	12"x 12" Truss



AB12-045HD

20.5" X 20.5" ANGLE BLOCKS

22.5°

SKU	DESCRIPTION	FITS
AB20-022	22.5 Degree Angle Block	20.5"x 20.5" Truss



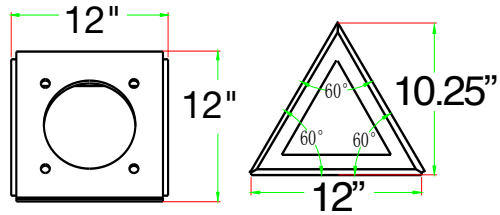
AB20-045HD

20.5" X 20.5" ANGLE BLOCKS

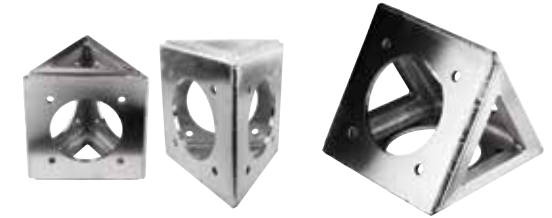
45°

SKU	DESCRIPTION	FITS
AB20-045HD	45 Degree Angle Block, Heavy Duty	20.5"x 20.5" Truss

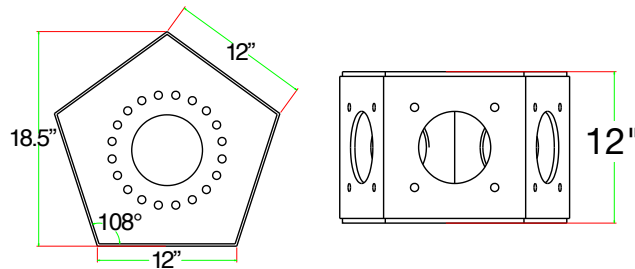
Our Designer Blocks are compatible with industry standard 12"x12" plated box truss. Each features Multi-Angle connecting plates for constructing creative structures for exhibition, entertainment, concert tour, theatrical staging and specialty applications. Expand your creative genius.



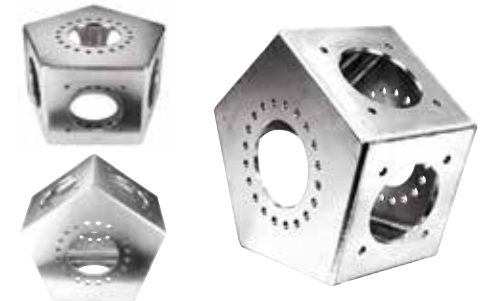
SKU	DESCRIPTION
DB12X3	(SP12T3X120) 3-WAY TRIANGLE BLOCK



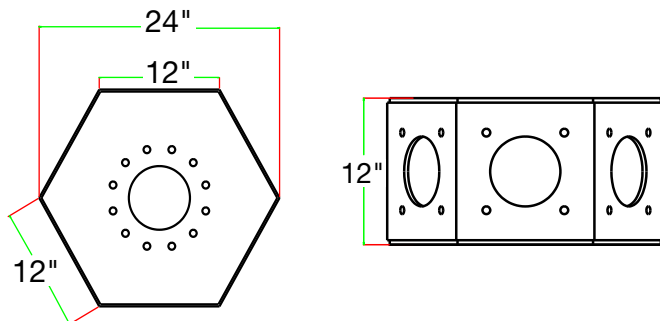
TRIANGLE BLOCK



SKU	DESCRIPTION
DB12X5	5-WAY PENTA-BLOCK PAT. PENDING



PENTA-BLOCK



SKU	DESCRIPTION
DB12X6	6-WAY HEX-BLOCK Patented



HEX-BLOCK

HINGED BOOKS

The ST Pro Series hinged books are made of 6061-T6 2" O.D. aluminum tube and bolted end plates that connects truss at your desired angle with a clean look.

Available for both 12" or 20.5" box truss.

FEATURES:

- Compatible with industry standard plated truss bolt pattern.
- 6061-T6 Aluminum Finish
- 2" Tubing

12"x 12" HINGED BOOK

SKU	DESCRIPTION
HINGEBOOK1212-05	12" x 12" Hinged Book 5"
HINGEBOOK1212-05-B	12" x 12" Hinged Book 5" / BLACK
HINGEBOOK1212-12	12" x 12" Hinged Book 12"
HINGEBOOK1212-14	12" x 12" Hinged Book 14"
HINGEBOOK1212-14-B	12" x 12" Hinged Book 14" / BLACK

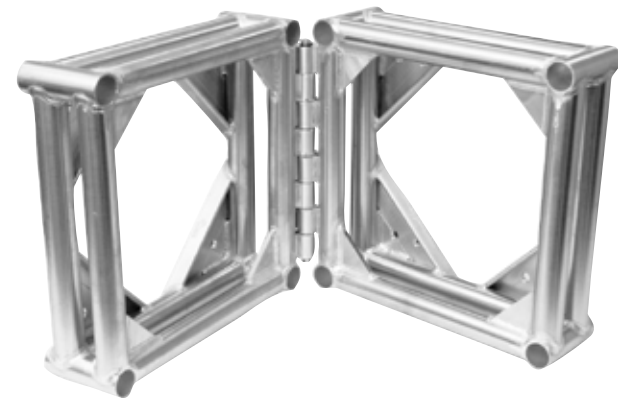
HINGEBOOK1212-12



20.5"x 20.5" HINGED BOOK

SKU	DESCRIPTION
HINGE-BOOK-2020	12" x 12" Hinged Book 5"

HINGE-BOOK-2020



12"x 12" HINGED PLATE

HINGED PLATES

Our SP PRO Series hinged plates are made of 10mm thick solid aluminum plate that connects truss at your desired angle with a clean look. Available for either 12" or 20.5" box truss.



SKU

HINGEDPLATE1212-FLAT
HINGEDPLATE1212-FLATB

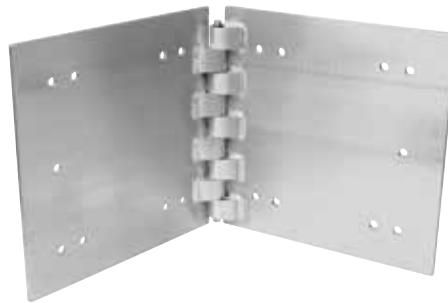
DESCRIPTION

Hinged Plate for 12"x12" Truss
Hinged Plate for 12"x12" Truss/BLACK

FEATURES:

- Compatible with industry standard plated truss bolt pattern.
- 6061-T6 Aluminum Finish
- 10mm Thick Aluminum Plate

20.5"x 20.5" HINGED PLATE

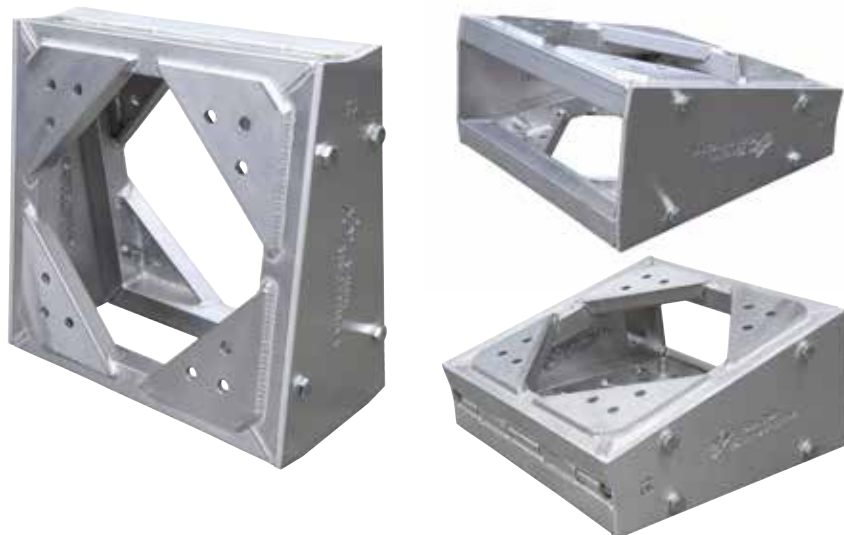


SKU

HINGED-PLATE-2020

DESCRIPTION

Hinged Plate for 20.5" x 20.5" Truss



SKU ?

HEAD BLOCK



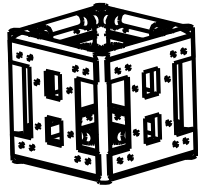
SKU	DESCRIPTION
GS12HB	Head Block for 12"x12" tower truss

GS20HB ?

ADAPTER PLATE

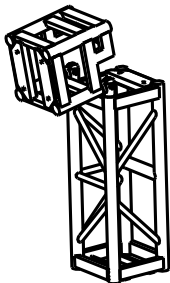


SKU	DESCRIPTION
SPHB20ADP	Adapter Plate for mounting head block onto 20.5"x 20.5" tower truss



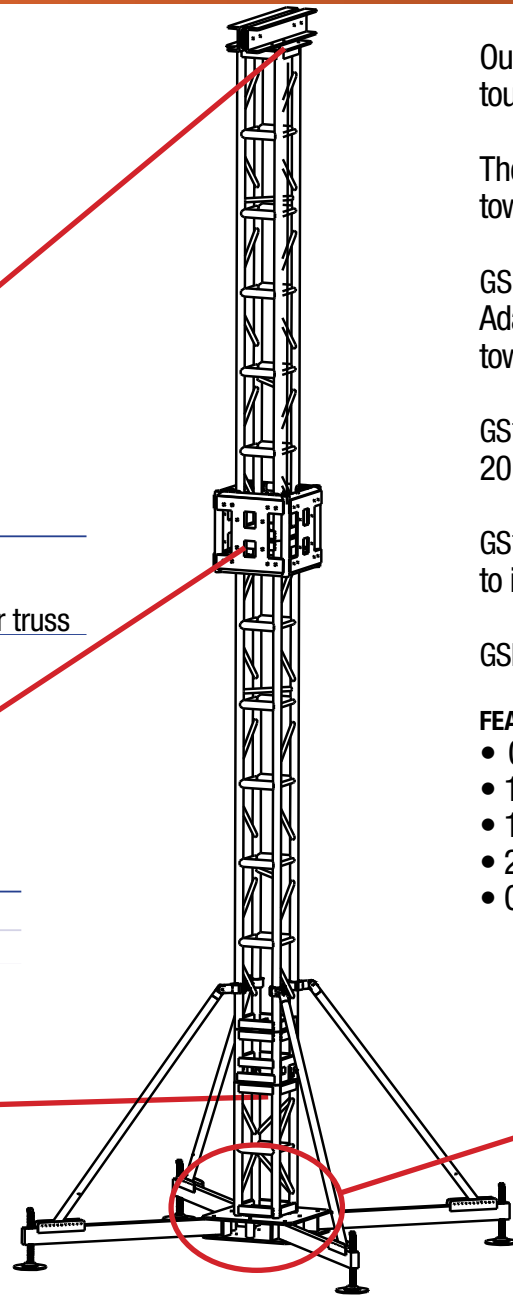
SLEEVE BLOCKS

SKU	DESCRIPTION
GS12SB	Sleeve Block 12" x 12"
GS20SB	Sleeve Block 20.5" x 20.5"



HINGE BLOCKS

SKU	DESCRIPTION
GS12HS	Hinge Block (w/Set of 4 spigots)



Our Pro Series Tower System is the industry standard used by professional touring production companies.

There are 4 major components used besides the truss sticks to complete a tower system.

GS12HB **HEAD BLOCK** mounts to the very top of the tower. (? Head Block Adapter plate is available for mounting GS12HB Head Block onto the top of 20.5" tower truss sticks.)

GS12SB **SLEEVE BLOCKS** come with 4 sided plates to bolt on 12" or GS20SB for 20.5" truss and both come with 16 smooth high impact rollers.

GS12HS **HINGE BLOCKS** are used to facilitate the ease of lifting the tower truss to its upright position.

GSBASE-ALU **STEEL BASE ?**

FEATURES

- Compatible with industry standard plated truss bolt pattern.
- 12" x 12" Square Tower Truss
- 12" x 12" Square Truss Sleeve Block
- 20.5" x 20.5" Sleeve Block Available
- Custom Lengths and Sizes Available

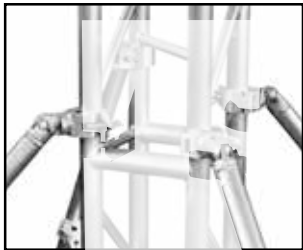
STEEL BASE



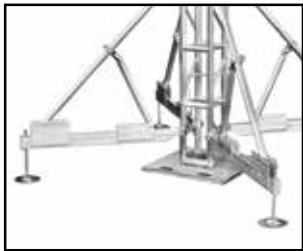
SKU	DESCRIPTION
GSBASE-ALU	Steel/Aluminium Base



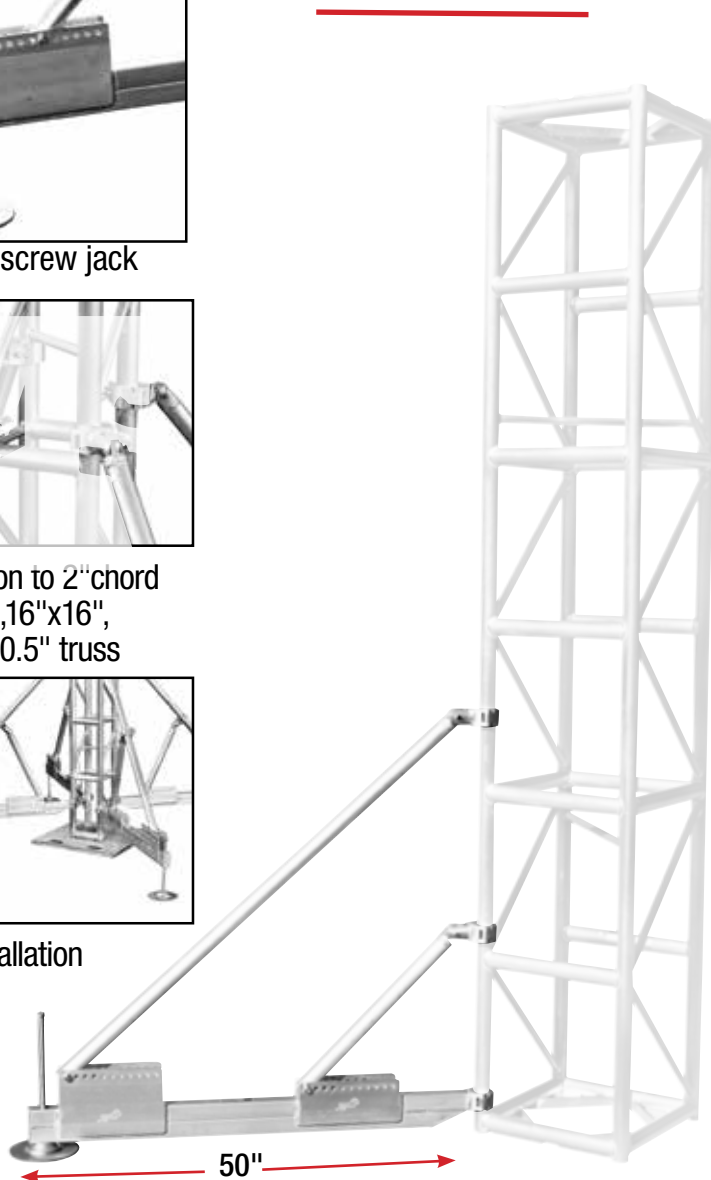
Leveling screw jack



Clamps on to 2" chord
12"x 12", 16"x 16",
20.5"x 20.5" truss



Easy Installation



SKU	DESCRIPTION
GSOUTRIGGERC50	Clamp-On Adjustable Outrigger Leg 50" LONG

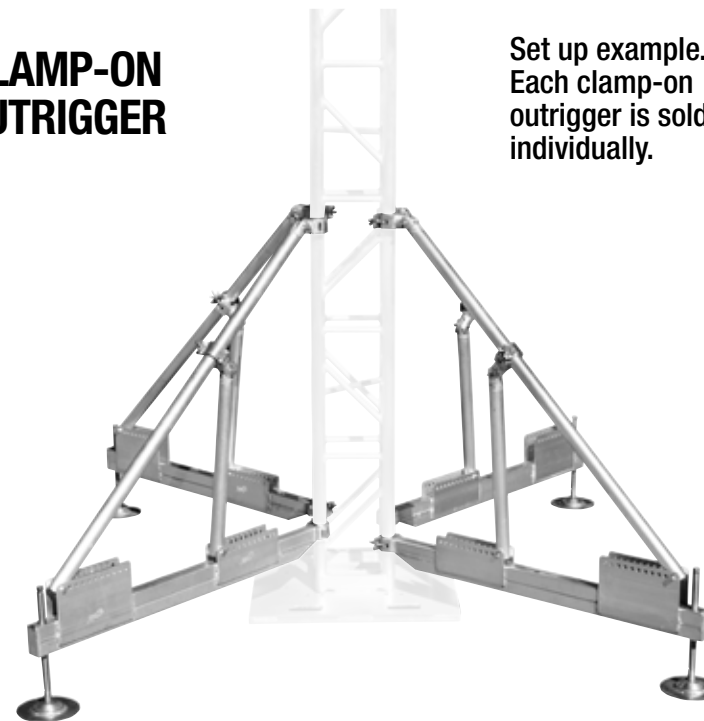
Show Solutions Aluminum Clamp-on Outrigger utilizes heavy - duty aluminum half couplers attach to any 2" chord of aluminum tower truss. The multi-position clamp adjustment allows you to position the clamps at the right place thus allowing you to swivel each leg into the perfect location on the ground.

The leveling screw jack allows you to adjust the leg securely to the perfect level.

- Strong lightweight double-braced aluminum construction
- Folds flat for easy space saving transport
- 50" Long
- Leveling screw jack

CLAMP-ON OUTRIGGER

Set up example.
Each clamp-on
outrigger is sold
individually.



Closed Position



PITCHED ROOF SYSTEM BRACE SETS

www.ShowSolutions.com

Our SP12RF16ANG and SP20RF16ANG Roof Systems includes a set of fixed angled braces for a 16° roof system using 12"x12" or 20.5" x 20.5" square truss beams, respectively. Each set includes (4) lower and (2) top braces.

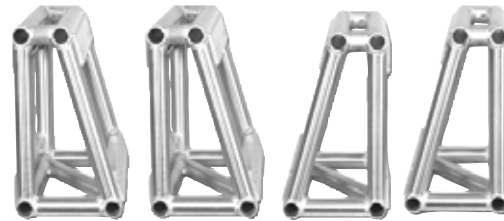
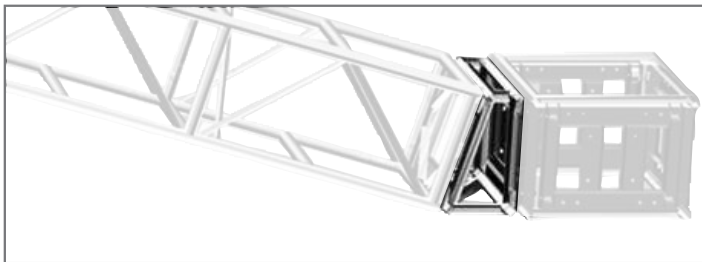
FEATURES

- Compatible with industry standard plated truss bolt pattern.
- 6061-T6 Brushed Aluminium Finish
- Connect to 45 degree blocks to make a 135 degree pitch



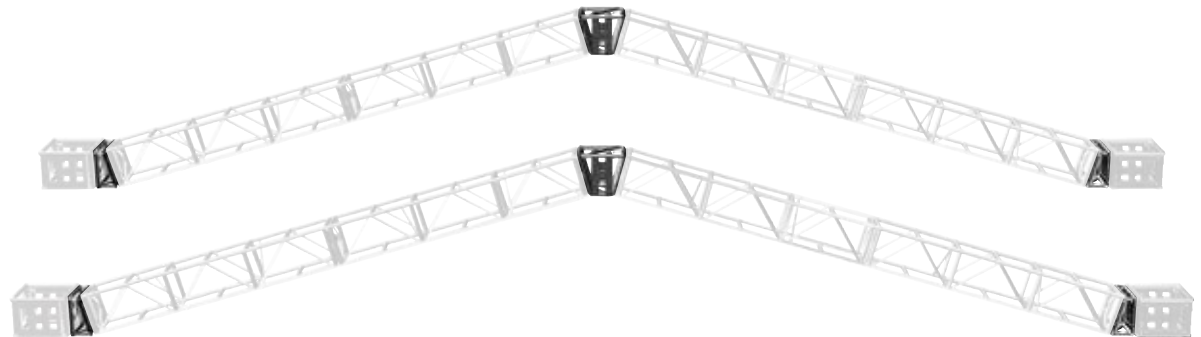
SKU	DESCRIPTION
SP20RF16ANG	20.5" x 20.5" Roof Package, 6 Braces (4 lower, 2 top) Truss not included

Top braces connect truss at the apex of the roof



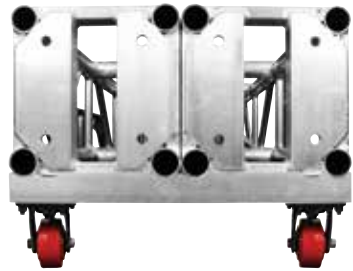
SKU	DESCRIPTION
SP12RT16ANG	12" x 12" Roof Package, 6 Braces (4 lower, 2 top) Truss not included

Lower braces connect roof truss to sleeve blocks



TRUSS STICKS AND SLEEVE BLOCKS ARE NOT INCLUDED WITH ANGLE BRACES. SOLD SEPARATELY.

www.ShowSolutions.com



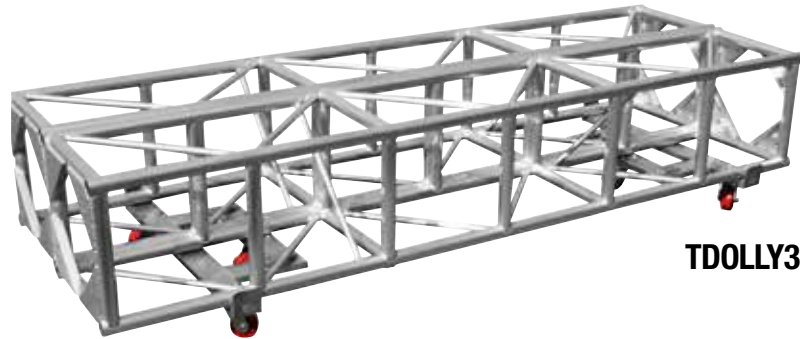
Front view 2 rows of 12"x12"



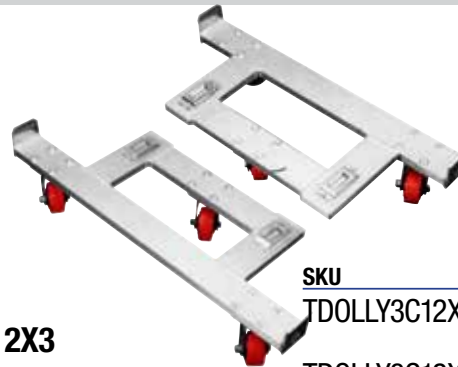
TDOLLY2C12X2
Front view 1 row of
20.5"x20.5"



SKU	DESCRIPTION
TDOLLY2C12X2	Holds two 12"x12" Truss Sticks side by side or one 20.5" truss.

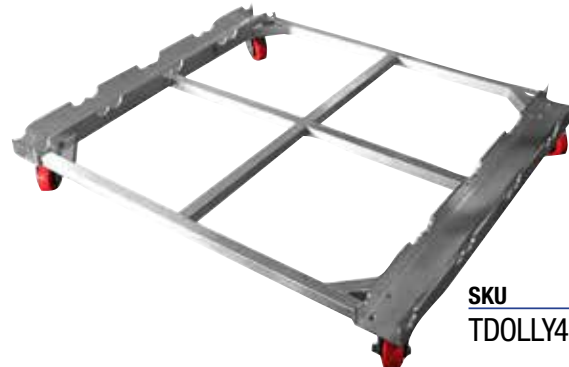


TDOLLY3C12X3



Built-in E-clip mount

SKU	DESCRIPTION
TDOLLY3C12X2	Holds 2 rows of 12"x12" Truss Sticks or 1 row of 20.5"x 20.5 Truss Sticks. SOLD IN PAIRS
TDOLLY3C12X3	Holds 3 rows of 12"x12" Truss Sticks or 2 rows of 20.5"x 20.5 Truss Sticks. SOLD IN PAIRS



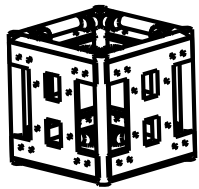
TDOLLY4C12X4

SKU	DESCRIPTION
TDOLLY4C12X3	Holds 3 rows of 12"x12" Truss Sticks or 2 rows of 20.5"X 20.5 Truss Sticks
TDOLLY4C12X4	Holds 4 rows of 12"x12" Truss Sticks

HEAD BLOCK



SKU	DESCRIPTION
SCTGS-290HB	Head Block for 12"x12" tower truss



SLEEVE BLOCKS

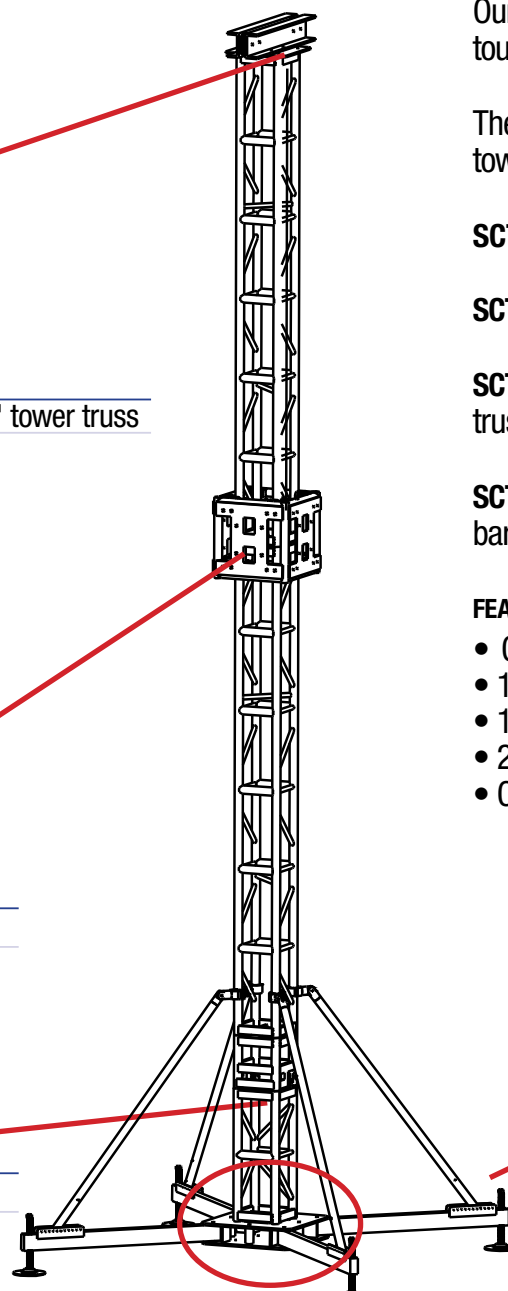
SKU	DESCRIPTION
SCTGS-290SB	Sleeve Block 12" x 12"

HINGES

SKU	DESCRIPTION
SCTGS-290HS	TOWER SYSTEM HINGES

STEEL BASE

SKU	DESCRIPTION
SCTGS-290BASEW	Steel/Aluminium Base with Outriggers



Our Pro Series Tower System is the industry standard used by professional touring production companies.

There are 4 major components used besides the truss sticks to complete a tower system.

SCTGS-290HB HEAD BLOCK mounts to the very top of the tower.

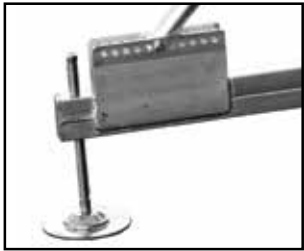
SCTGS-290SB SLEEVE BLOCKS ?

SCTGS-290HS HINGE BLOCKS are used to facilitate the ease of lifting the tower truss to its upright position.

SCTGS-290BASEW STEEL BASE with Outriggers is comprised of 4 stabilizing bars each with screw jack leveling pads. Each outrigger is 50" long.

FEATURES

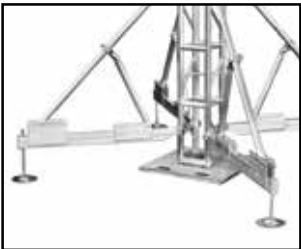
- Compatible with industry standard plated truss bolt pattern.
- 12" x 12" Square Tower Truss
- 12" x 12" Square Truss Sleeve Block
- 20.5" x 20.5" Sleeve Block Available
- Custom Lengths and Sizes Available



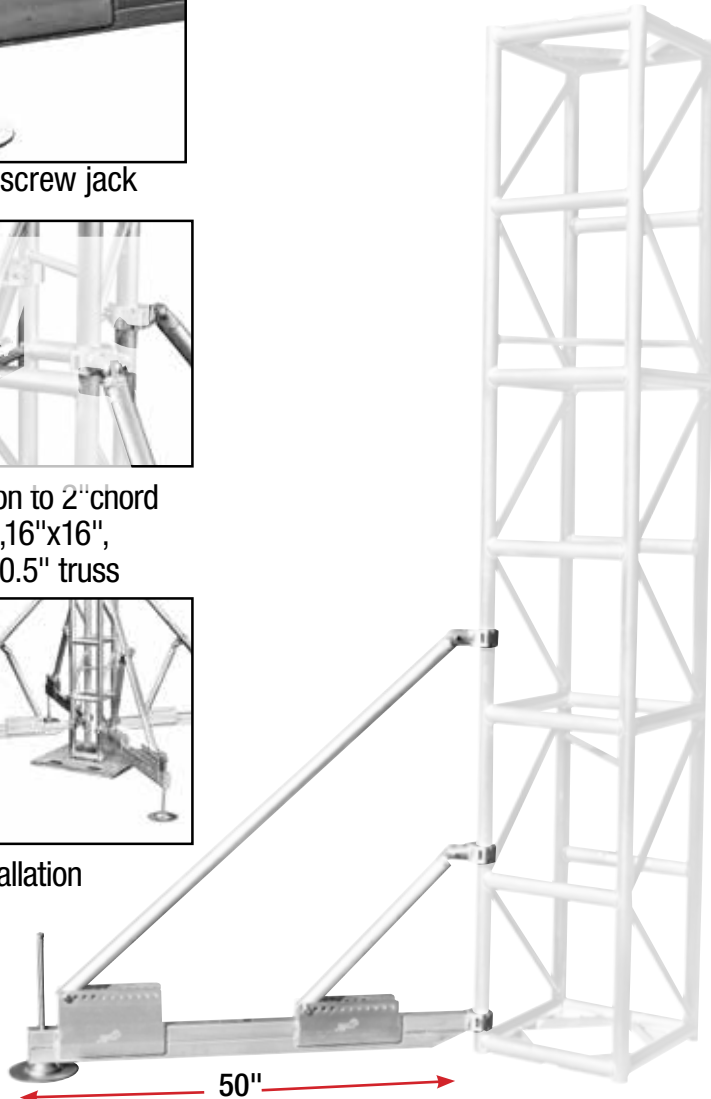
Leveling screw jack



Clamps on to 2" chord
12"x 12", 16"x 16",
20.5"x 20.5" truss



Easy Installation



SKU	DESCRIPTION
SCTGS-OUTRIGGER	TOWER SYSTEM OUTRIGGER

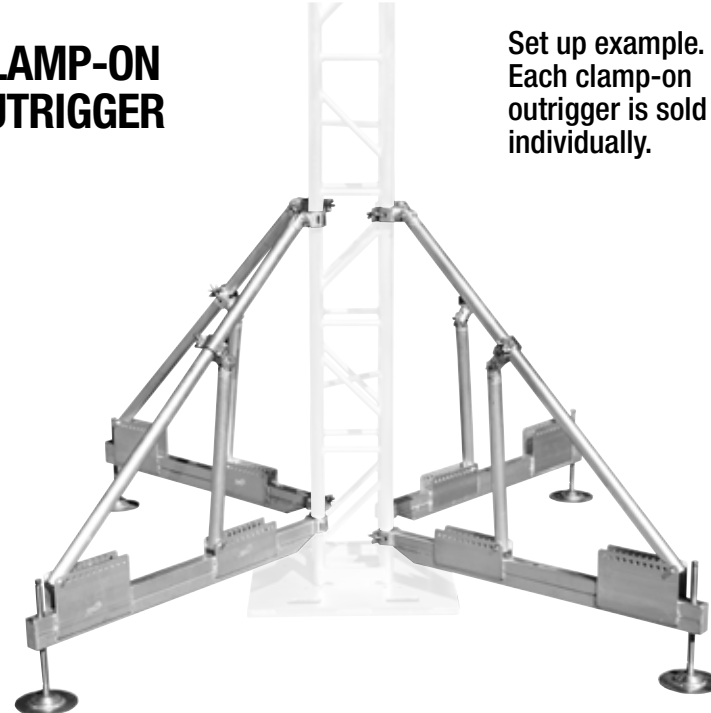
Show Solutions Aluminum Clamp-on Outrigger utilizes heavy - duty aluminum half couplers attach to any 2" chord of aluminum tower truss. The multi-position clamp adjustment allows you to position the clamps at the right place thus allowing you to swivel each leg into the perfect location on the ground.

The leveling screw jack allows you to adjust the leg securely to the perfect level.

- Strong lightweight double-braced aluminum construction
- Folds flat for easy space saving transport
- 50" Long
- Leveling screw jack

CLAMP-ON OUTRIGGER

Set up example.
Each clamp-on
outrigger is sold
individually.



Closed Position





SCT290-JB6WAY

SKU	DESCRIPTION
SCT290-JB6WAY	290 mm x 290 mm 6-way junction block



SINGLE TUBE

SKU	LENGTH
SCTUBE-050	0.5 m (1.64 ft)
SCTUBE-100	1.0 m (3.28 ft)
SCTUBE-150	1.5 m (4.92 ft)
SCTUBE-200	2.0 m (6.56 ft)
SCTUBE-250	2.5 m (8.2 ft)
SCTUBE-300	3.0 m (9.84 ft)



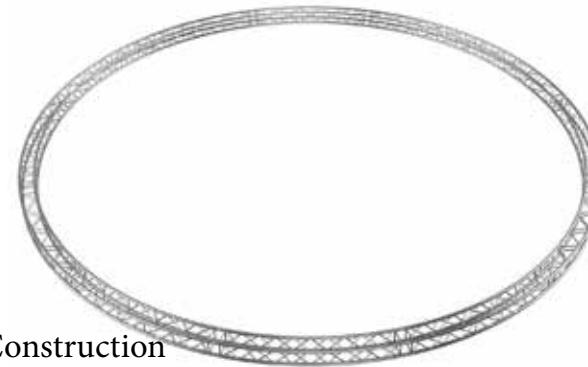
290 MM X 290 MM SHOW SOLUTIONS ICONICAL LADDER TRUSS

SKU	LENGTH
SCT290-210	1.0 m (3.28 ft)
SCT290-220	2.0 m (6.56 ft)
SCT290-230	3.0 m (9.84 ft)



290 MM X 290 MM SHOW SOLUTIONS ICONICAL TRUSS

SKU	LENGTH
SCT290-405	0.5 m (1.64 ft) 11
SCT290-410	1.0 m (3.28 ft) 16
SCT290-412.5	1.25 m (4.10 ft)
SCT290-412.5-X	1.25 m (4.10 ft)
SCT290-415	1.5 m (4.92 ft) 21
SCT290-415-X	1.5 m (4.92 ft)
SCT290-417.5	1.75 m (5.74 ft)
SCT290-420	2.0 m (6.56 ft) 26
SCT290-425	2.5 m (8.2 ft) 32
SCT290-427.5	2.75 m (9.02 ft)
SCT290-430	3.0 m (9.84 ft)



CIRCLE CONICAL TRUSS

Construction

Material Type: Aluminum Alloy EN AW-6082 T6
 Main Tubing: 1.96 in (50 mm) Outer Diameter
 0.078 in (2 mm) Wall Thickness
 Brace Tubing: 0.78 in (20 mm) Diagonal Bracing
 0.078 in (2 mm) Wall Thickness

Finish & Features

Surface: Aluminum Brush Finish

Included: Connecting hardware

SKU
CIR02M-SCT-290290-02
CIR03M-SCT-290290-04
CIR04M-SCT-290290-04
CIR02M-SCT-290290-08
CIR02M-SCT-290290-02
CIR02M-SCT-290290-02

CONICLE TRUSSING, DESIGNED TO BE HUNG OR MOUNTED IN VERTICAL FASHION



U-SHAPE LIGHTING LADDER TRUSS

SKU	DESCRIPTION
LADDER-U-23-TOP-EYE	Modular U-Shape Lighting Ladder Truss Top Section



U-SHAPE LIGHTING LADDER TRUSS

SKU	DESCRIPTION
LADDER-U-2329	23' x 29' Modular U-Shape Lighting Ladder Truss



ALUMINUM DOLLY PLATE FOR MODULAR U-SHAPE

SKU	DESCRIPTION
LADDER-U-2848-BP-ALU	28" x 48" Aluminum Dolly Plate



OUTRIGGER SUPPORT

SKU	DESCRIPTION
LADDER-U-OUTRIGGER53	Outrigger Support for Modular U-Shape Lighting Ladder Trusses

Our Side Arms are made of heavy-duty aluminum tube and designed for a variety of applications including hanging speakers, lights, props, and much more. Arms feature permanently welded 2" Pro Couplers ensuring a secure attachment to trussing.

SIDEARM15020



SKU	DESCRIPTION
SIDEARM15020	19.5" long SWL 150 LBS Single Clamps Side Arm



SIDEARM23020

SKU	DESCRIPTION
SIDEARM25026	19.5" long SWL 250LBS 2x Quick Clamps Side Arm

SIDEARM25026



SKU	DESCRIPTION
SIDEARM25026	?

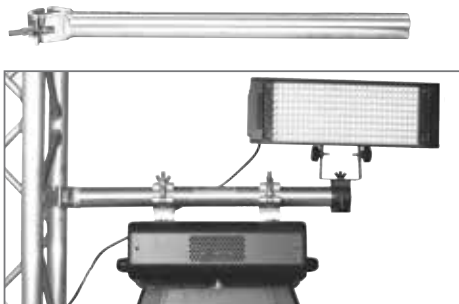


CS-C125016B



16" Square Side Arm with 2" Half Coupler

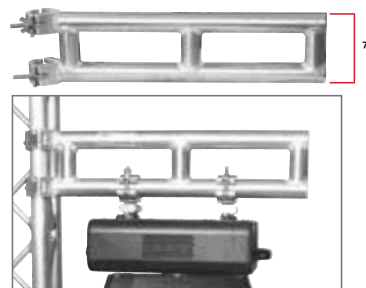
SKU	DESCRIPTION
CS-C125016B	16" Long Square Side Arm with 2" Half Coupler



CS-C125026B

26" Long Side Arm with 2" Half Coupler

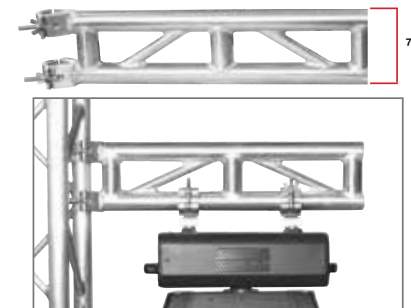
SKU	DESCRIPTION
CS-C125026B	26" Long Side Arm with 2" Half Coupler 2" O.D. Tube



CS-C125026BX2A

PRO 2" Half Couplers with 26" I-Beam Truss 2" O.D. Main Tube.

SKU	DESCRIPTION
CS-C125026BX2A	26" I-Beam Side Arm (2" O.D.) with 2" Half Coupler



CS-C125026BX2B

PRO 2" Half Couplers with 26" I-Beam Truss with 1" diagonal 2" O.D. Main Tube.

SKU	DESCRIPTION
CS-C125026BX2B	26" I-Beam Side Arm (2" O.D.) with Diagonal Supports and 2" Half Coupler

Show Solutions Trussmounts are the perfect setup solution for moving heads, special effects, lekos, and projectors, just a few examples that can be suspended from these ingenious rigging accessories. Top mounts may be bolted on either 12" x 12" or 290mm x 290mm Truss. Your choice of 12", 24", 36", 48" and 60" tube length in 2" O.D. x 1/4" wall thickness.



SINGLE WELDED STAND

SKU	DESCRIPTION
TMOUNT - B1-12	SINGLE STAND 12" LONG BAR
TMOUNT - B1-24	SINGLE STAND 24" LONG BAR
TMOUNT - B1-36	SINGLE STAND 36" LONG BAR
TMOUNT - B1-48	SINGLE STAND 48" LONG BAR



DUAL WELDED STAND

SKU	DESCRIPTION
TMOUNT - B2-24	DUAL STAND 24" LONG BAR
TMOUNT - B2-36	DUAL STAND 36" LONG BAR
TMOUNT - B2-48	DUAL STAND 48" LONG BAR
TMOUNT - B2-60	DUAL STAND 60" LONG BAR



SINGLE CLAMP

SKU	DESCRIPTION
TMOUNT - C1	SINGLE CLAMP (TUBE SOLD SEPARATELY)



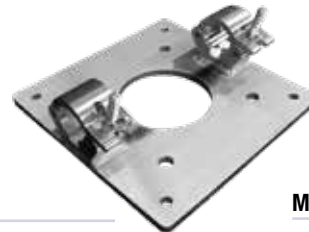
DUAL CLAMP

SKU	DESCRIPTION
TMOUNT - C2	DUAL CLAMP (TUBE SOLD SEPARATELY)



HALF COUPLER PLATE SINGLE TUBE

MODEL	DESCRIPTION
SPCP12	DOUBLE TUBE 12"X 12" PLATE W/2" O.D. HALF COUPLERS AT 90° 12mm THICK ALUMINUM PLATE



HALF COUPLER PLATE DOUBLE TUBE

MODEL	DESCRIPTION
SPCP12TUB	SINGLE TUBE 12"X 12" PLATE W/ 2" O.D. HALF COUPLERS 12mm THICK ALUMINUM PLATE



2" O.D. x 1/4"
WALL THICKNESS

MODEL	DESCRIPTION
TMOUNTBAR - 2-12	2" O.D. x 1/4" WALL THICKNESS, 12" LONG
TMOUNTBAR - 2-24	2" O.D. x 1/4" WALL THICKNESS, 24" LONG
TMOUNTBAR - 2-36	2" O.D. x 1/4" WALL THICKNESS, 36" LONG
TMOUNTBAR - 2-48	2" O.D. x 1/4" WALL THICKNESS, 48" LONG
TMOUNTBAR - 2-60	2" O.D. x 1/4" WALL THICKNESS, 60" LONG

TRUSSMOUNT WAGON WHEEL

12", 290mm & 20.5" TRUSS

Our Wagon Wheel is an excellent way to utilize the extra space on the tops or sides of truss setups to mount lighting fixtures, projectors or other items like decorative props & drapes.

Features:

- 6061-T6 Aluminum Finish
- 2" O.D. x 1/8"

Hole Pattern:

- 12" x 12"
- 290mm x 290mm
- 20.5" x 20.5"

SKU	DESCRIPTION
SPW48	WAGON WHEEL FOR 12", 290mm AND 20.5" BOX TRUSS



SPW48



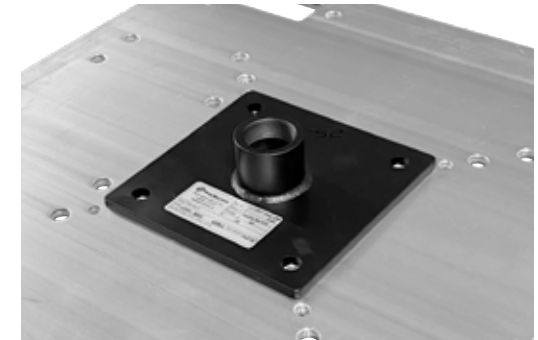
www.ShowSolutions.com

1-1/2" SCHEDULE 40 STEEL FLANGES

FLANGESC40



BP0909-FLANGE



12"x12", 19"x19" BASE PLATES

12"x12" FLAT ALUMINUM PLATE



BP1212-ALU-FLAT
ALUMINUM 12" x 12",
6mm thick plate

12"x12" FLAT STAINLESS STEEL PLATE



BP1212-STEEL-STN-FL
STAINLESS STEEL 12" x 12",
20mm thick plate

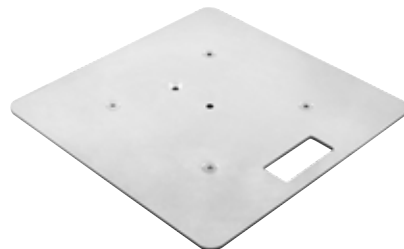
19"x19" FLAT STEEL PLATE



BP1919-STEEL-FLAT-1F
STEEL 19" x 19", 12mm thick
50 lbs. base plate with welded
protruded 1-1/2" schedule 40 flange

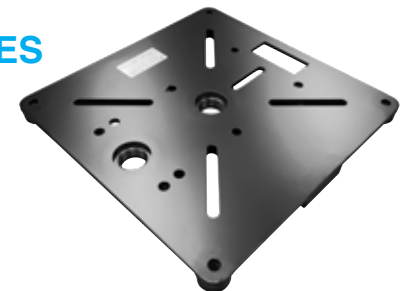
20"x20" BASE PLATES

20"x20" FLAT ALUMINUM PLATE



BP2020-ALU-FLAT
ALUMINUM 20" x 20",
9mm thick plate

20"x20" THEATRE SERIES STEEL PLATE



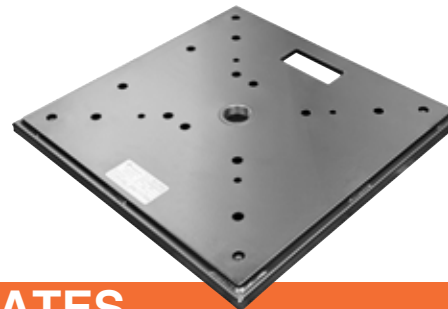
BP2020-STEEL-TS-2F
STEEL 20"x20", 9mm thick
top plate with 2 welded
1-1/2" schedule 40 flange

22" X 22" BASE PLATE

22" x 22" x 1" RAISED FRAME STEEL PLATE

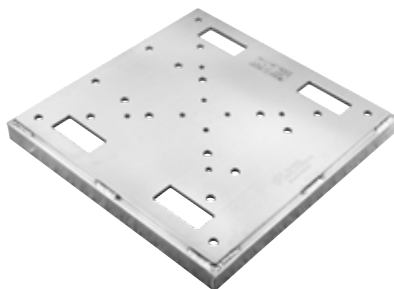
BP2222-STEEL-R1

STEEL 22" x 22", 9mm thick flat plate on
a 1" raised frame with 1-1/2" schedule 40 flange



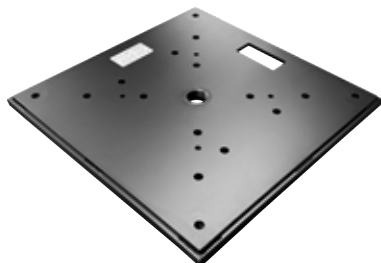
24" x 24" BASE PLATES

24" x 24" RAISED FRAME ALUMINUM PLATE



SKU	DESCRIPTION
BP2424-ALU-R1	ALUMINUM 24" x 24", 12mm thick plate on a 1" raised frame
BP 2424-ALU-R2	ALUMINUM 24" x 24", 12mm thick plate on a 2" raised frame

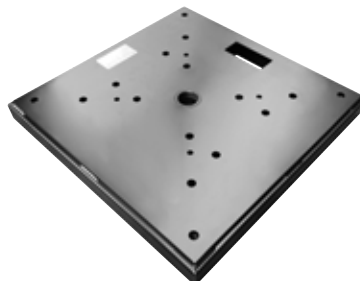
24" x 24" RAISED FRAME STEEL PLATE



BP2424-STEEL-R1

STEEL 24" x 24" base plate on
a 1" raised frame

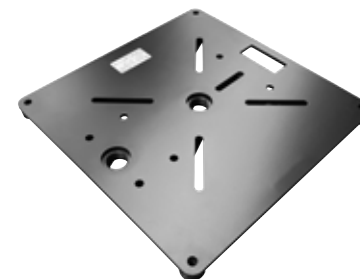
24" x 24" RAISED FRAME STEEL PLATE



BP2424-STEEL-R2

STEEL 24" x 24" base plate on
a 2" raised frame

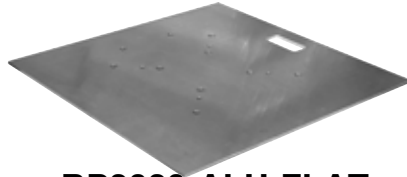
24" x 24" THEATRE SERIES STEEL PLATE



BP2424-STEEL-TS-2F

STEEL 24" x 24", 9mm thick top plate with
2 welded 1-1/2" schedule 40 flanges

30"x30" FLAT ALUMINUM PLATE



BP3030-ALU-FLAT
 ALUMINUM 30"x30",
 9mm thick plate

30"x30" FLAT ALUMINUM PLATE



BP3030-ALU-FLATB
 ALUMINUM 30"x30",
 9mm thick plate - BLACK

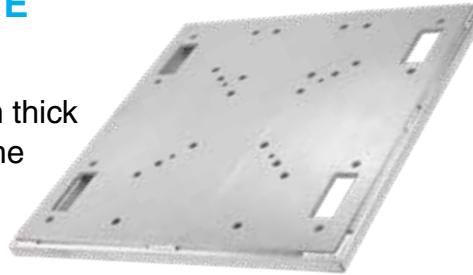
30"x30" FLAT STEEL PLATE



BP3030-STEEL-FLAT
 STEEL 30" x 30", 9mm thick plate
 with flange mounting holes

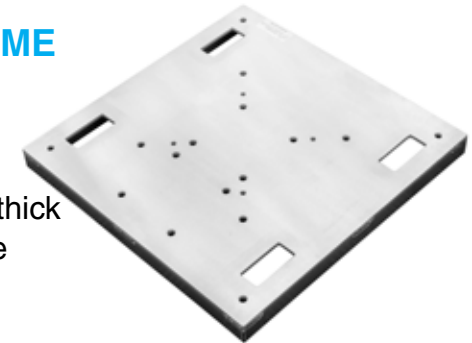
30"x 30" RAISED FRAME ALUMINUM PLATE

BP3030-ALU-R1
 ALUMINUM 30"x30", 12mm thick
 plate on a 1" raised frame



30"x 30" RAISED FRAME ALUMINUM PLATE

BP3030-ALU-R2
 ALUMINUM 30"x30", 12mm thick
 plate on a 2" raised frame



30"x 30" RAISED FRAME STEEL PLATE

BP3030-STEEL-R1
 STEEL 30"x30", 9mm thick plate
 on a 1" Raised frame with 1 welded
 1-1/2" schedule 40 flange



30"x 30" RAISED FRAME STEEL PLATE

BP3030-STEEL-R2
 STEEL 30"x30", 9mm thick plate
 on a 2" Raised frame with 1
 welded 1-1/2" schedule 40 flange



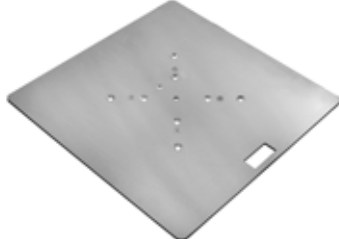
30"x 30" THEATRE SERIES STEEL PLATE

BP3030-STEEL-1S-2F
 STEEL 30" x 30", 9mm thick
 top plate with 2 welded 1-1/2"
 schedule 40 flanges



36" x 36" BASE PLATES

36"x36" FLAT ALUMINUM PLATE



BP3636-ALU-FLAT
ALUMINUM 36"x36",
9mm thick plate

36"x 36" RAISED FRAME ALUMINUM PLATE



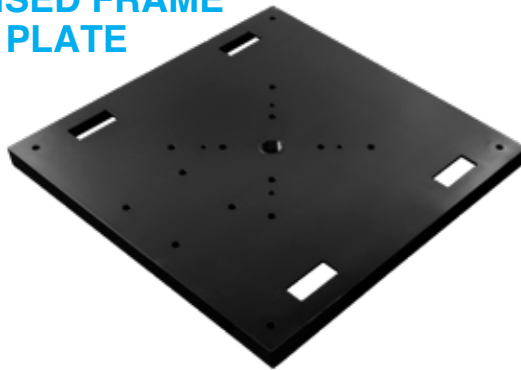
BP3636-ALU-R1
ALUMINUM 36"x36", 12mm thick
top plate on a 1" raised frame

36"x 36" RAISED FRAME ALUMINUM PLATE



BP3636-ALU-R2
ALUMINUM 36"x26", 12mm thick
top plate on a 2" raised frame

36"x 36" RAISED FRAME STEEL PLATE



SKU	DESCRIPTION
BP3636-STEEL-R1	STEEL 36" x 36", 9mm thick top plate on a 1" raised frame with 1 welded 1-1/2" schedule 40 flange
BP3636-STEEL-R2	STEEL 36" x 36", 9mm thick top plate on a 2" raised frame with 1 welded 1-1/2" schedule 40 flange

36"x36" FLAT STEEL PLATE



BP3636-STEEL-FLAT
STEEL 36" x 36",
9mm thick base plate

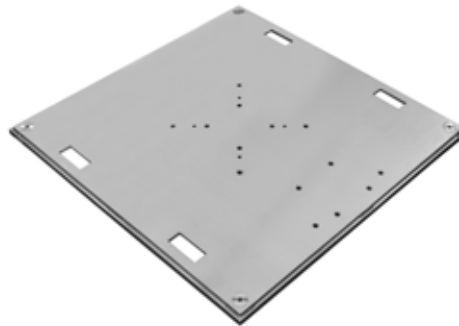
36"x 36" THEATRE SERIES STEEL PLATE

BP3636-STEEL-TS-2F
STEEL 36" x 36", 9mm
thick top plate with
2 welded 1-1/2" schedule
40 flanges



48" X 48" BASE PLATES

48"x 48" RAISED FRAME ALUMINUM PLATE



SKU	DESCRIPTION
BP4848-ALU-R1	ALUMINUM 48"x48", 12mm thick top plate on a 1" raised frame
BP4848-ALU-R2	ALUMINUM 48"x48", 12mm thick top plate on a 2" raised frame

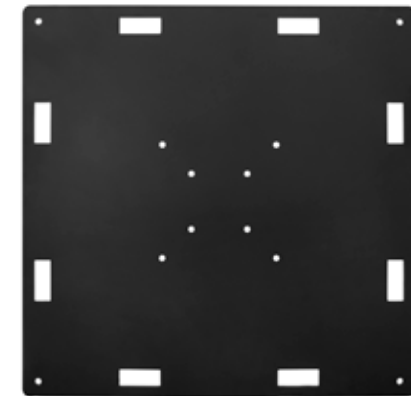
48"x48" FLAT ALUMINUM PLATE

BP4848-ALU-FLAT
 ALUMINUM 48"x48",
 10mm thick base plate



48"x48" FLAT STEEL PLATE

BP4848-STEEL-FLAT
 STEEL 48" x 48",
 9mm thick base plate



48"x 48" RAISED FRAME STEEL PLATE



SKU	DESCRIPTION
BP4848-STEEL-R1	STEEL 48" x 48", 9mm thick top plate on a 1" raised frame with 1 welded 1-1/2" schedule 40 flange
BP4848-STEEL-R2	STEEL 48" x 48", 9mm thick top plate on a 2" raised frame with 1 welded

20" X 40" BASE PLATES

20"x 40" RAISED FRAME ALUMINUM PLATE

BP2040-ALU-R1

ALUMINUM 20" x 24", 12mm thick plate on a 1" raised frame – NATURAL



20"x40" FLAT ALUMINUM PLATE

BP2040-ALU-FLAT-B

ALUMINUM 20" x 24", 9mm thick plate – BLACK POWDER COATED



30" DIAMETER BASE PLATES

30" DIA FLAT STEEL PLATE

BP30DIA-STEEL-FLAT

STEEL 30" x 30", 9mm thick plate with flange mounting holes (FABRICATE TO ORDER)



3/8"

30" DIA FLAT STEEL PLATE with WHEELS

BP30DIA-STEEL-FLATCW

STEEL 30" x 30", 9mm thick plate with flange mounting holes with 4 caster wheels (2 WITH BRAKES)



BASE PLATE ACCESSORIES

BASE PLATE CASTER KIT



BPTHCASTERKIT

Four 3.5" caster 5/8"x11 threaded stem for THE-ATRE SERIES base plate casters (2 with brakes)

BASE PLATE CASTER



BPCASTER03BRK

3" Caster with brakes

BASE PLATE FEET



BPFEET-5811

Leveling feet. 4 pcs
5/8-11 Thread

BPFEET-METRIC

Leveling feet. 4 pcs
Metric

BASE PLATES for 290mm CONICAL box truss

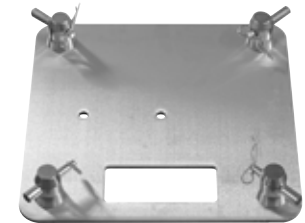
12"x12" CONICAL PLATE WITH CONNECTORS

BP1212-STEEL-STN-CT290-FL
 12" x 12" Stainless Steel Plate
 (including 12" box truss bolt pattern)



12"x12" CONICAL PLATE

BP1212-ALU-CT290-FLAT
 12" x 12" Aluminum Plate for 290 mm x 290 mm Box Truss



20"x20" CONICAL PLATE

BPSCT290-2020-ALU-FLAT
 20" x 20" Aluminum Plate
 for 290 mm x 290 mm Box Truss



30"x30" CONICAL PLATE

SCT290-BP30
BPSCT-3030-ALU-FLAT
 30" x 30" Aluminum Plate
 for 290 mm x 290 mm Box Truss



30"x30" CONICAL PLATE

SCT290-BP30HD
BPSCT-3030-ALU-FLAT-HD
 30" x 30" Aluminum Plate
 for 290 mm x 290 mm Box Truss



36"x36" CONICAL PLATE

SCT290-BP36
BPSCT-3636-ALU-FLAT
 36" x 36" Aluminum Plate
 for 290 mm x 290 mm Box Truss





BASE PLATES CARTS 22.5" WIDE

1" THICK FRAME	DESCRIPTION
BPCART3030-8-R1-22	Base Plate Cart holds 8 30"x30" 1" raised frame Base Plates
BPCART3636-8-R1-22	Base Plate Cart holds 8 36"x36" 1" raised frame Base Plates
BPCART4848-6-R1-22	Base Plate Cart holds 6 48"x48" 1" raised frame Base Plates

2" THICK FRAME	DESCRIPTION
BPCART3030-6-R2-22	Base Plate Cart holds 6 30"x30" 2" raised frame Base Plates
BPCART3636-6-R2-22	Base Plate Cart holds 6 36"x36" 2" raised frame Base Plates
BPCART4848-6-R2-22	Base Plate Cart holds 6 48"x48" 2" raised frame Base Plates



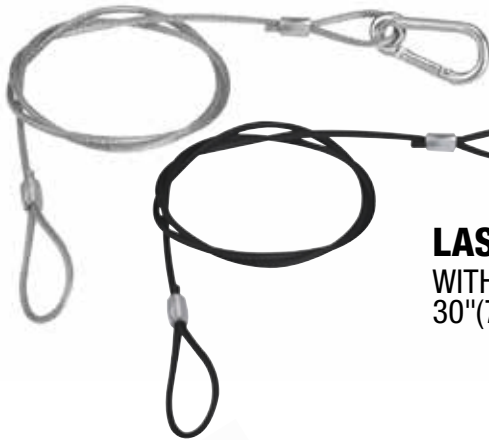
BASE PLATES CARTS 30" WIDE

1" THICK FRAME	DESCRIPTION
BPCART3030-8-R1-30	Base Plate Cart for 30"x30" 1" raised frame ALUMINUM Base Plates (Holds 8 Plates), Heavy Duty
BPCART3636-8-R1-30	Base Plate Cart for 36"x36" 1" raised frame ALUMINUM Base Plates (Holds 8 Plates), Heavy Duty
BPCART4848-6-R1-30	Base Plate Cart for 48"x48" 1" raised frame ALUMINUM Base Plates (Holds 6 Plates), Heavy Duty

2" THICK FRAME	DESCRIPTION
BPCART3030-8-R2-30	Base Plate Cart for 30"x30" 2" raised frame ALUMINUM Base Plates (Holds 8 Plates), Heavy Duty
BPCART3636-8-R2-30	Base Plate Cart for 36"x36" 2" raised frame ALUMINUM Base Plates (Holds 8 Plates), Heavy Duty
BPCART4848-6-R2-30	Base Plate Cart for 48"x48" 2" raised frame ALUMINUM Base Plates (Holds 6 Plates), Heavy Duty

SAFETY CABLE

Essential for safe lighting installation, mobile setups, and rigging.
Choose from our variety of lengths and thicknesses that best fit your needs.



LASC303

WITH SMALL SIZE SPRING HOOK
30"(760MM) LONG, 0.12"(3MM) THICK

LASC303B

WITH SMALL SIZE SPRING HOOK
30"(760MM) LONG, 0.12"(3MM) THICK/ BLACK



LASC304

WITH MEDIUM SIZE SPRING HOOK
30"(760MM) LONG, 0.16"(4MM) THICK



LASC304B

WITH MEDIUM SIZE SPRING HOOK
30"(760MM) LONG, 0.16"(4MM) THICK / BLACK



LASC405

WITH LARGE SIZE SPRING HOOK
40"(1000MM) LONG, 0.2"(5MM) THICK

LASC405B

WITH LARGE SIZE SPRING HOOK
40"(1000MM) LONG, 0.2"(5MM) THICK/BLACK



MINI HALF COUPLERS FOR 3/4" - 7/8" TUBE

SKU	FINISH	WORKING LOAD	
LAC25XS	Polished	60 kg	130 lbs
LAC25XSB	Black	60 kg	130 lbs
LAC25XSW	White	60 kg	130 lbs



SMALL HALF COUPLERS FOR 1" TUBE

SKU	FINISH	WORKING LOAD	
LAC25S	Polished	60 kg	130 lbs
LAC25SB	Black	60 kg	130 lbs
LAC25SW	White	60 kg	130 lbs



SLIM HALF COUPLERS FOR 2" TUBE

SKU	FINISH	WORKING LOAD	
LACMS30	Polished	75 kg	165 lbs
LACMS30B	Black	75 kg	165 lbs



SLIM HALF COUPLERS WITH LARGE WING NUT FOR 2" TUBE

SKU	FINISH	WORKING LOAD	
LACML30	Polished	75 kg	165 lbs
LACML30B	Black	75 kg	165 lbs



SKU	FINISH	WORKING LOAD	
LACML303540	Polished	75 kg	165 lbs
LACML303540B	Black	75 kg	165 lbs



SKU	FINISH	WORKING LOAD	
LACCUFFCOUPLER	Polished	200 kg	440 lbs



NARROW HALF COUPLERS FOR 2" TUBE

SKU	FINISH TYPE	BOLT LOAD	WORKING	
LACP30R	Polished	Round Neck Bolt	300 kg	660 lbs
LACP30RB	Black	Round Neck Bolt	300 kg	660 lbs
LACP30S	Polished	Square Neck Bolt	300 kg	660 lbs
LACP30SB	Black	Square Neck Bolt	300 kg	660 lbs

LACP30SB

SQUARE NECK BOLT



?

SKU	FINISH	WORKING LOAD	
LACP503852-CON	Polished	500 kg	1100 lbs
LACP503852B-CON	Black	500 kg	1100 lbs



LARGE WING NUT

LACP50RL

HALF COUPLERS STANDARD FOR 2" TUBE

SKU	FINISH TYPE	BOLT LOAD	WORKING	
LACP50R	Polished	Round Neck Bolt	500 kg	1100 lbs
LACP50RB	Black	Round Neck Bolt	500 kg	1100 lbs
LACP50S	Polished	Square Neck Bolt	500 kg	1100 lbs
LACP50SB	Black	Square Neck Bolt	500 kg	1100 lbs
LACP50L	Polished	Large Wing Nut	500 kg	1100 lbs



COUPLER FOR 2" TUBE **HD**

SKU	FINISH TYPE	BOLT LOAD	WORKING	
CSC120050	Polished	Hex Bolt	750 kg	1650 lbs
CSC120050B	Black	Hex Bolt	750 kg	1650 lbs



MINI SWIVEL COUPLERS FOR 3/4" - 7/8" TUBES

SKU	FINISH	WORKING LOAD	
LACSD25XS	Polished	60 kg	130 lbs
LACSD25XSB	Black	60 kg	130 lbs
LACSD25XSW	White	60 kg	130 lbs



SMALL SWIVEL COUPLERS FOR 1" TUBE

SKU	FINISH	WORKING LOAD	
LACSD25S	Polished	60 kg	130 lbs
LACSD25SB	Black	60 kg	130 lbs
LACSD25SW	White	60 kg	130 lbs



SWIVEL COUPLERS FOR 2" TUBE

SKU	FINISH	WORKING LOAD	
LACSDP50	Polished	500 kg	1100 lbs
LACSDP50B	Black	500 kg	1100 lbs



NARROW SWIVEL COUPLERS FOR 2" TUBE

SKU	FINISH	WORKING LOAD	
LACSDP30	Polished	300 kg	660 lbs
LACSDP30B	Black	300 kg	660 lbs



SWIVEL DUAL HALF COUPLER, FITS 2" TUBE **HD**

SKU	FINISH	WORKING LOAD	
CSC122050	Polished	750 kg	1653 lbs
CSC122050B	Black	750 kg	1653 lbs

MINI HALF COUPLER WITH EYE BOLT FOR 3/4" - 7/8" TUBES

SKU	FINISH	WORKING LOAD	
LACE25XS	Polished	60 kg	130 lbs
LACE25XSB	Black	60 kg	130 lbs
LACE25XSW	White	60 kg	130 lbs



SMALL HALF COUPLER WITH EYE BOLT FOR 1" TUBE

SKU	FINISH	WORKING LOAD	
LACE25S	Polished	60 kg	130 lbs
LACE25SB	Black	60 kg	130 lbs
LACE25SW	White	60 kg	130 lbs



HALF COUPLER WITH EYE BOLT FOR 2" TUBE

SKU	FINISH	WORKING LOAD	
LACPE50	Polished	500 kg	1100 lbs
LACPE50B	Black	500 kg	1100 lbs



SKU	FINISH	FIT TUBE O.D. SIZE	WORKING LOAD
LACPP	Polished	25mm - 51mm / 1"-2"	200 kg / 440 lbs
LACPB	Black	25mm - 51mm / 1"-2"	200 kg / 440 lbs

NARROW HALF COUPLER WITH EYE BOLT FOR 2" TUBE

SKU	FINISH	WORKING LOAD	
LACPE30	Polished	300 kg	660 lbs
LACPE30B	Black	300 kg	660 lbs



SKU	FINISH	FIT TUBE O.D. SIZE	WORKING LOAD
LACT303540	Polished	35mm - 40mm / 1-3/8" - 1-1/2"	150 kg / 330 lbs
LACT303540B	Black	35mm - 40mm / 1-3/8" - 1-1/2"	150 kg / 330 lbs



SKU	FINISH	FIT TUBE O.D. SIZE	WORKING LOAD
LACT263552	Polished	35mm - 52mm / 1-3/8" - 2"	100 kg / 220 lbs
LACT263552B	Black	35mm - 52mm / 1-3/8" - 2"	100 kg / 220 lbs



SKU	FINISH	FIT TUBE O.D. SIZE	WORKING LOAD
LACQ30	Polished	38mm - 51mm / 1.5" - 2"	150 kg / 330 lbs
LACQ30B	Black	38mm - 51mm / 1.5" - 2"	150 kg / 330 lbs



SKU	FINISH	FIT TUBE O.D. SIZE	WORKING LOAD
LACQL30F090B	Black	42mm - 61mm / 1.6" - 2"	150 kg / 330 lbs



SKU	FINISH	FIT TUBE O.D. SIZE	WORKING LOAD
LACT28	Polished	38 mm - 51mm / 1.5" - 2"	150 kg / 330 lbs
LACT28B	Black	38 mm - 51mm / 1.5" - 2"	150 kg / 330 lbs



SKU	FINISH	FIT TUBE O.D. SIZE	WORKING LOAD
LACQL30F360B	Black	42mm - 61mm / 1.6" - 2"	150 kg / 330 lbs



SKU	FINISH	FIT TUBE O.D. SIZE	WORKING LOAD
LACQL30MK2	Polished	38mm - 52mm / 1-1/2" - 2"	150 kg / 330 lbs
LACQL30MK2B	Black	38mm - 52mm / 1-1/2" - 2"	150 kg / 330 lbs



SKU	FINISH	FIT TUBE O.D. SIZE	WORKING LOAD
LAC26FQLBP	Polished	42mm - 61mm / 1.6" - 2"	150 kg / 330 lbs

*NOTE: THESE ARE ROUNDING SPECS. THE EXACT CONVERSION SPECS MAY VARY



SKU	FINISH	FIT TUBE O.D. SIZE	WORKING LOAD
LACCLAMP2	Black	45mm - 52mm / 1.7" - 2"	150 kg / 330 lbs



SKU	FINISH	FIT TUBE O.D. SIZE	WORKING LOAD
LACCLAMP2-QA	Black	45mm - 52mm / 1.7" - 2"	150 kg / 330 lbs



SKU	FINISH	FIT TUBE O.D. SIZE	WORKING LOAD
LACTALON30B-1-2	Black	45mm - 52mm / 1.7" - 2"	300 kg / 661 lbs



SKU	FINISH	FIT TUBE O.D. SIZE	WORKING LOAD
LACT234562-QA	Polished	45mm - 62mm / 1.7" - 2"	100 kg / 220 lbs



SKU	FINISH	FIT TUBE O.D. SIZE	WORKING LOAD
LACTALON50B-1-2	Black	45mm - 52mm / 1.7" - 2"	500 kg / 1,102 lbs



SKU	FINISH	FIT TUBE O.D. SIZE	WORKING LOAD
LACT30B-1-2	Black	46mm - 51mm / 1.8" - 2"	250 kg / 551 lbs



SKU	FINISH	FIT TUBE O.D. SIZE	WORKING LOAD
LACT282	Polished	48mm - 52mm / 1.8" - 2"	150 kg / 330 lbs
LACT282B	Black	48mm - 52mm / 1.8" - 2"	150 kg / 330 lbs



SKU	FINISH	FIT TUBE O.D. SIZE	WORKING LOAD
LAC28QL	Polished	49mm - 51mm / 1.9" - 2"	150 kg / 330 lbs
LAC28QLB	Black	49mm - 51mm / 1.9" - 2"	150 kg / 330 lbs



SKU	FINISH	FIT TUBE O.D. SIZE
LAC02	Black	1-1/2" - 2"



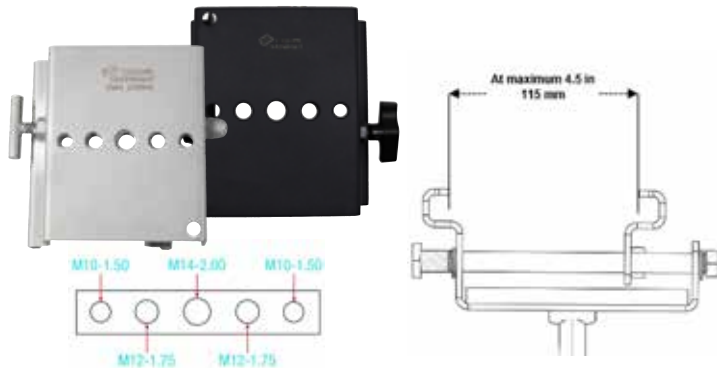
SKU	FINISH	FIT TUBE O.D. SIZE	WORKING LOAD
LAC50SQ2	Polished	?	500 kg / 1,102 lbs
LAC50SQ2B	Black	?	500 kg / 1,102 lbs



SKU	FINISH	FIT TUBE O.D. SIZE	WORKING LOAD
LACSUPERCLAMP	Black	25mm - 52mm / 0.9" - 2"	25 kg / 55 lbs



SKU	FINISH	FIT TUBE O.D. SIZE	WORKING LOAD
LACP100	Polished	38 mm - 52mm/1.5" - 2"	500 kg / 1,102 lbs
LACP100B	Black	38 mm - 52mm/1.5" - 2"	500 kg / 1,102 lbs



SKU	FINISH	FIT TUBE O.D. SIZE	WORKING LOAD
LACTEMPCLAMP	Polished	100 kg / 220 lbs	
LACTEMPCLAMPB	Black	100 kg / 220 lbs	

www.ShowSolutions.com



GRIP BLOKS

SKU	DESCRIPTION
GRIPBLOK12	12" Truss Grip Blok
GRIPBLOK20	20.5" Truss Grip Blok

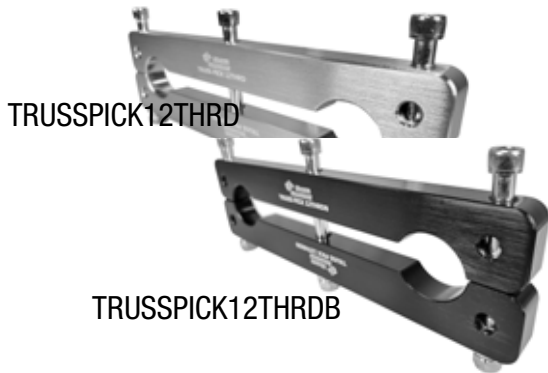


GRIP BLOKS

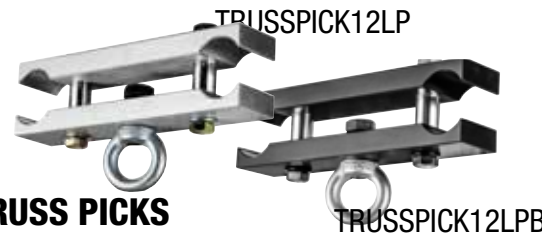
SKU	DESCRIPTION
GRIPBLOK12BLK	12" Truss Grip Blok in Black
GRIPBLOK20BLK	20.5" Truss Grip Blok in Black

GRIP BLOKS

GRIP BLOKS™ AND TRUSS PICKS
Our solid aluminum Grip Bloks™ and truss picks are essential tools for pro rigging and are compatible with virtually all industry standard trussing. Available in two sizes for 12" and 20.5" truss, in natural aluminum and black.



LOW PROFILE 12" AND 20.5" TRUSS PICKS



TRUSS PICKS

SKU	DESCRIPTION
TRUSSPICK12LP	12" Low Profile Truss Picks
TRUSSPICK12LPB	12" Low Profile Truss Picks in Black

LOAD CAPACITY BASED ON FOLLOWING EYE BOLTS

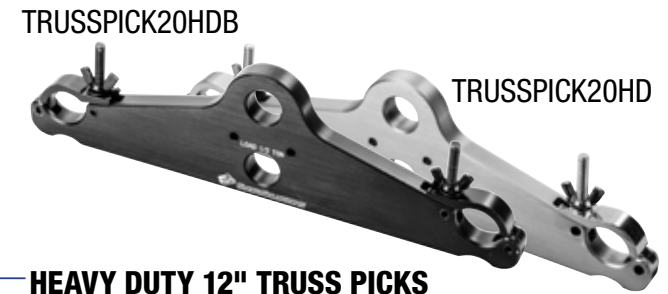
- M20- 2300 lbs
- M16- 1500 lbs
- M12- 725 lbs

SKU	DESCRIPTION
TRUSSPICK20LP	20.5" Low Profile Truss Picks
TRUSSPICK20LPB	20.5" Low Profile Truss Picks in Black

LOAD CAPACITY BASED ON FOLLOWING EYE BOLTS

- M20- 1248 lbs
- M16- 1400 lbs
- M12- 725 lbs

HEAVY DUTY 20.5" TRUSS PICKS



HEAVY DUTY 12" TRUSS PICKS



TRUSS PICKS

SKU	DESCRIPTION
TRUSSPICK12HD	12" Truss Pick
TRUSSPICK12HDB	12" Truss Pick in Black
TRUSSPICK20HD	20.5" Truss Pick
TRUSSPICK20HDB	20.5" Truss Pick in Black



Exclusive Truss Cradle Design

DD-4848H
48" x 48" Hard Deck



Hard Surface
Industrial Board



DD-484808R
48" x 48" Riser, 8" High

Our Duro Deck Stage System is easy to set up and store. Decks are available in two finishes. Hard Surfaces (Industrial Board) and charcoal color carpeted surface. The two available sizes (24" x 48", 48" x 48") and can be set up with any of the available four heights of collapsible risers (8", 16", 24" or 32").

Duro Decks can be connected and locked together for small or large staging setups.

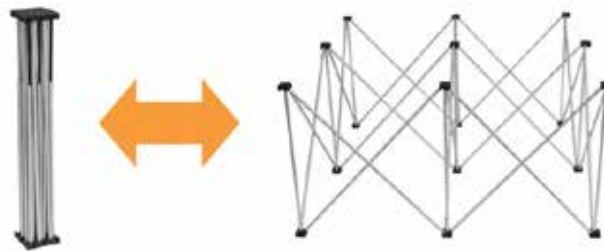
DD-4848C
48" x 48" Carpeted Deck



Carpeted Surface

SKU	DESCRIPTION
DD-4824H	48" x 24" Hard Surface Deck
DD-4848H	48" x 48" Hard Surface Deck
DD-4824C	48" x 24" Carpeted Surface Deck
DD-4848C	48" x 48" Carpeted Surface Deck

Retractable / Expandable compact design



The Duro Deck collapsible risers are lightweight and compact, taking up very little space when stored away. Fully expand each collapsible riser and place the Duro Deck stage platform on top for simple, fast setup.

(48" X 24" DECKS SOLD SEPARATELY)



DD-482432R
48" x 24" Riser,
32" High

DD-482424R
48" x 24" Riser,
24" High

DD-482416R
48" x 24" Riser,
16" High

DD-482408R
48" x 24" Riser,
8" High

SKU	DESCRIPTION
DD-482408R	8" High, 48" x 24" Riser
DD-482416R	16" High, 48" x 24" Riser
DD-482424R	24" High, 48" x 24" Riser
DD-482432R	32" High, 48" x 24" Riser
DD-484808R	8" High, 48" x 48" Riser
DD-484816R	16" High, 48" x 48" Riser
DD-484824R	24" High, 48" x 48" Riser
DD-484832R	32" High, 48" x 48" Riser

The Duro Deck Road Case protects and transports 6 Duro Decks in an innovative case that features a removeable side and top to allow easy access when loading in and out.

Pro versions store risers as well.



SKU	DESCRIPTION
DD4824X6WPRO	Flight Case for six 48" x 24" Decks w/Risers
DDRCKIT6PRO	Flight Case for six 48" x 48" Decks w/Risers
DDRCKIT6	Flight Case for six 48"x 48" Stage Platforms only (no risers)

DD4812R24H
 48" wide 3 Step Kit


Our Step Kits provide a 48" wide, 12" step for easy access to your stage. Choose a 1, 2 or 3 step kit to match the height of the store.

DD4812R16H
 48" wide 2 Step Kit

DD4812R08H
 48" wide 1 Step Kit


SKU	DESCRIPTION
DD-4812R08*	Step w/8" Riser
DD-4812R16*	2 Steps w/8" & 16" Risers (1 ea)
DD-4812R24*	3 Steps w/8" 16" & 24" Risers (1 ea)

*Use "C" for carpet or "H" for hard surface

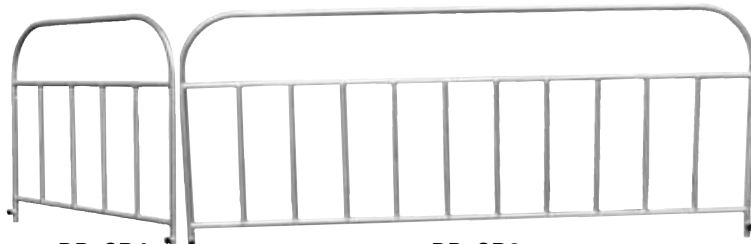
The optional Stage Skirts clip on easily and cover risers for a clean look. These flame retardant treated felt are 48" in length and available in 8", 16", 24" and 32" height sizes.

SKU	DESCRIPTION
SKIRTS (16oz Duvetyne -Made in U.S.A.) Non Pleated	
DD-SKIRT4809	48" Wide Black Skirt- 8" High
DD-SKIRT4816	48" Wide Black Skirt- 16" High
DD-SKIRT4824	48" Wide Black Skirt- 24" High
DD-SKIRT4832	48" Wide Black Skirt- 32" High


TWO DD-SKIRT4832 SKIRTS
 4' wide by 32" high Stage Skirt

Each skirt includes
4 clips or fasteners

Use multiple skirts
to cover corners

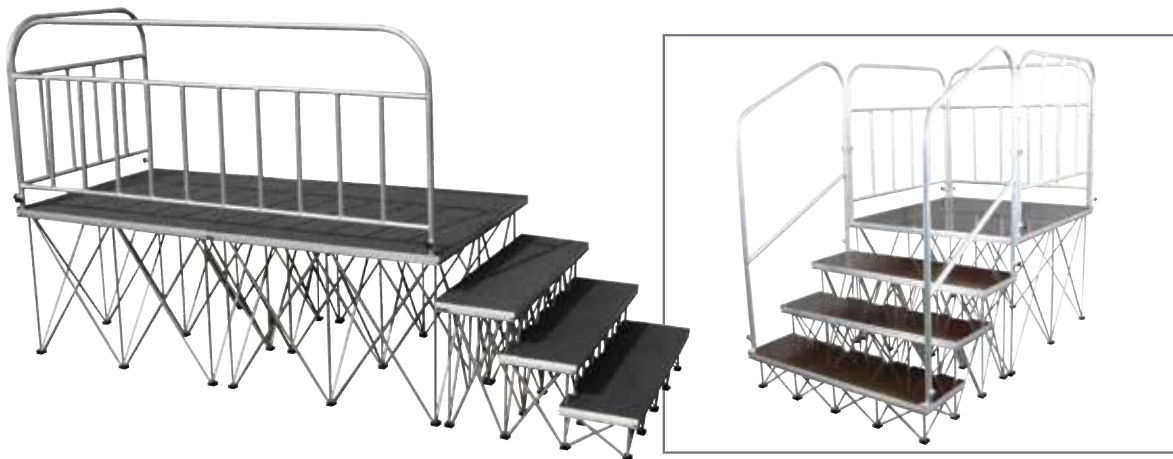

DD-GR4
 4' Wide, 40" Tall
 Stage Guard Rail

DD-GR8
 8' Wide, 40" Tall
 Stage Guard Rail

Our Duro Deck Guard Rails come in 48" & 96" lengths. Made of 6061-T6 high polished aluminium, each rail features 1" tubing with heavy duty connectors that can be easily attached at each corner of our Duro Decks.

Each rail takes less than five minutes to attach and can be used with any height stage setup for added safety.

SKU	DESCRIPTION
DD-GR4	48" Wide, 40" Tall Stage Guard Rail
DD-GR8	96" Wide, 40" Tall Stage Guard Rail
DD-GRC	Guard Rail Connector
DD-SCP	Stage Corner Plate
DD-GRS	Guard Rail Stud
DD-GB2	Groove Block
DD-CLAMP	Step Clamp
DD-CS4	48" Chair Stopper with hardware
DD-CS8	90" Chair Stopper with hardware
DD-GR2S	Guard Rail for 2 step Stage Ladder
DD-GR3S	Guard Rail for 3 step Stage Ladder


DD-GB2
 Groove Block
 Hand Rail Fastener

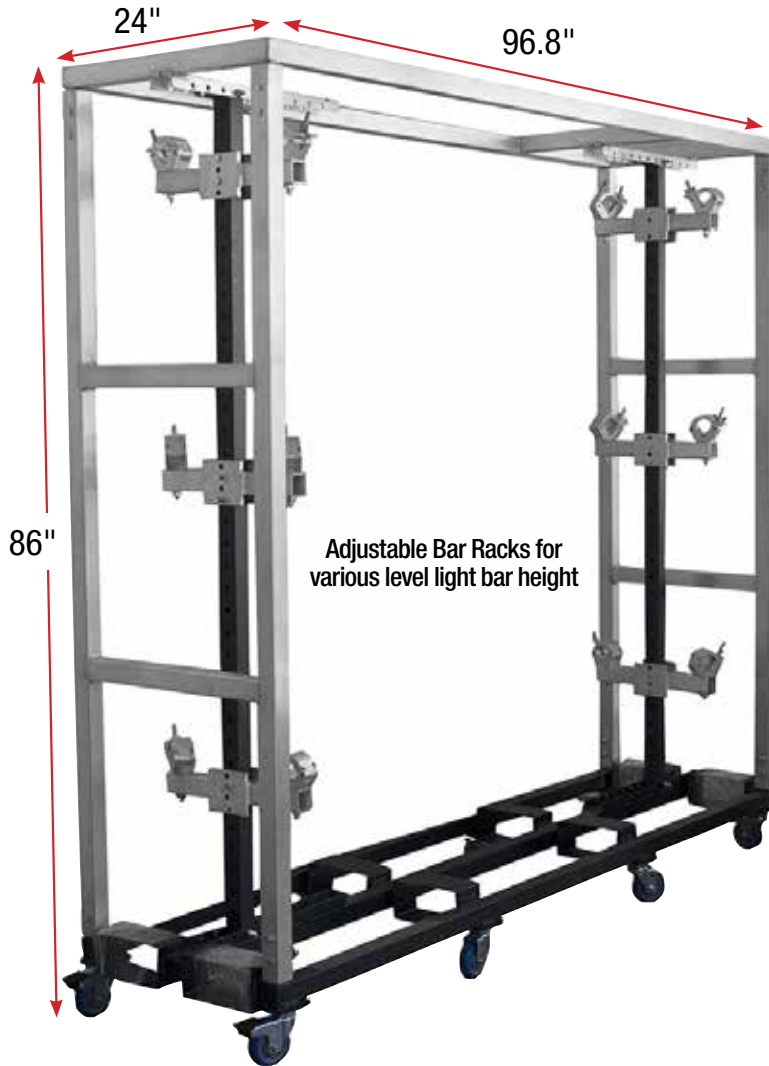
DD-GRC
 Guard Rail
 Connector

DD-GR
 Guard Rail
 Mounting Stud

DD-SCP
 Stage Corner Plate
 Hand Rail Fastener

DD-CLAMP
 Step Clamp

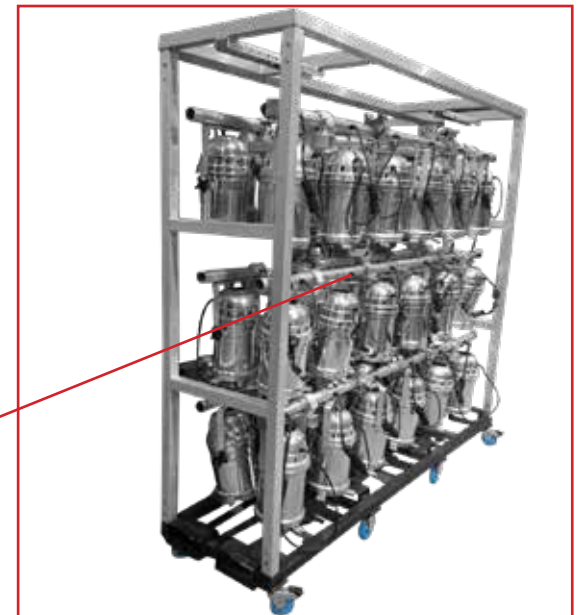
PAR BAR RACK



PAR BAR RACK JR



Our adjustable level Light Bar Rack is designed to transport and store 6 bars with the fixtures installed. Perfect for larger fixture bars such as Par 64s, Leko's, and ACL par bars. Cart features 8 heavy-duty 4" casters



* Pipe bar available.
Sold Separately

SKU	DESCRIPTION
LBRR	96.8"x 86"x 24" Aluminum/steel Par bar rolling rack for up to 6 Par bars



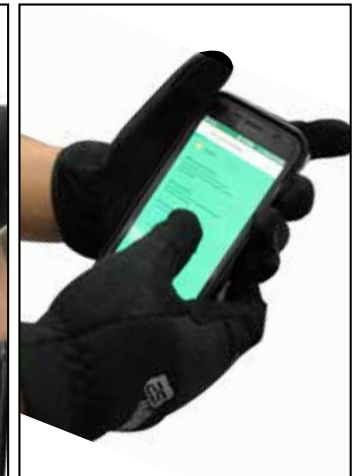
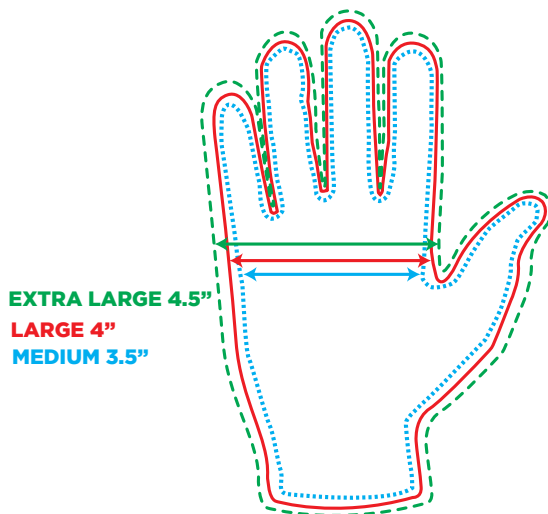
SHOW SOLUTIONS STAGE KREW™ GLOVES

are a must have for working production crews, light techs, riggers and roadies. Available in three sizes.

FEATURES

- Made of High Quality Flexible Fabric with a Sure Grip Palm Faux Leather Stitched Bottom
- Convenient No Slip Elastic Wrist Grip
- Conductive Fingertips Allow Use With Capacitive Touch Screen Devices
- Machine Washable

SKU	DESCRIPTION
SKSSGM	MEDIUM SIZE GIG GLOVES
SKSSGL	LARGE SIZE GIG GLOVES
SKSSGXL	XTRA LARGE SIZE GIG GLOVES



CHANGO WRENCH II™ Pat. Pending

Show Solutions Chango Wrench II is a must have multi-function handy tool for tightening and loosening wing nuts, bolts, and lighting clamps. Fits and works with most clamps and couplers plus more. Also works as handy bottle opener.

Examples of the many uses



AMW2BLK
PRO "Chango"
Monkey Wrench II,
Black



AM2BLU
PRO "Chango"
Monkey Wrench II,
Blue



AM2GLD
PRO "Chango"
Monkey Wrench II,
Gold



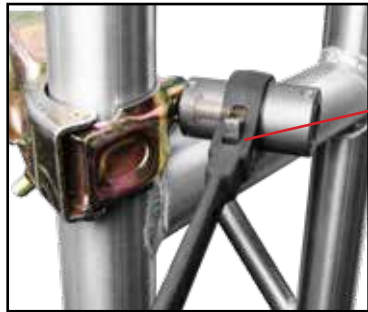
AM2RED
PRO "Chango"
Monkey Wrench II,
Red



AM2SIL
PRO "Chango"
Monkey Wrench II,
Silver

PODGER RATCHET WRENCH

17, 21, 19, 24 mm



Long Thread pass through socket design allows for use on extra-long threaded and shoulder bolts.



Multiple socket sizes fits popular truss nut and bolt sizes.

- Long Thread Pass through design
- Flat Tip Pry Bar Design
- Socket sizes 17/21mm & 19/24mm
- Material: Cr-Mo, Handle: Cr-V (ie: impact socket)
- Finishing: Manganese phosphite
- Great tool for scaffold professionals



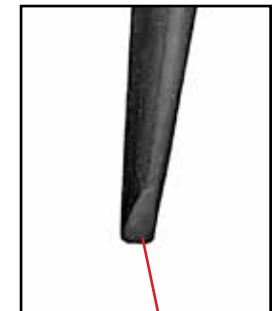
Sure Lock Double Tooth Design

Podger Ratchet Wrench is the latest addition to the lineup of tools here at Show Solutions. Can be used on bolt head sizes 17, 19, 21 and 24mm.



Tapered flat tip pry bar design allows for fast alignment of truss bolt holes to easily insert bolts between sticks, plates or corner blocks.

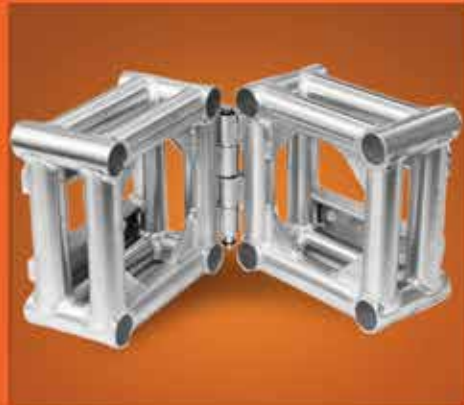
Flat Tip Pry Bar Design





SHOW SOLUTIONS®

STRONG STRUCTURAL SUPPORT MADE EASY!



SHOW SOLUTIONS®

Copyright© 2020 Show Solutions

809 West Santa Anita St, San Gabriel, CA 91776

Tel: (626) 588-2527 • Fax: (626) 588-2525

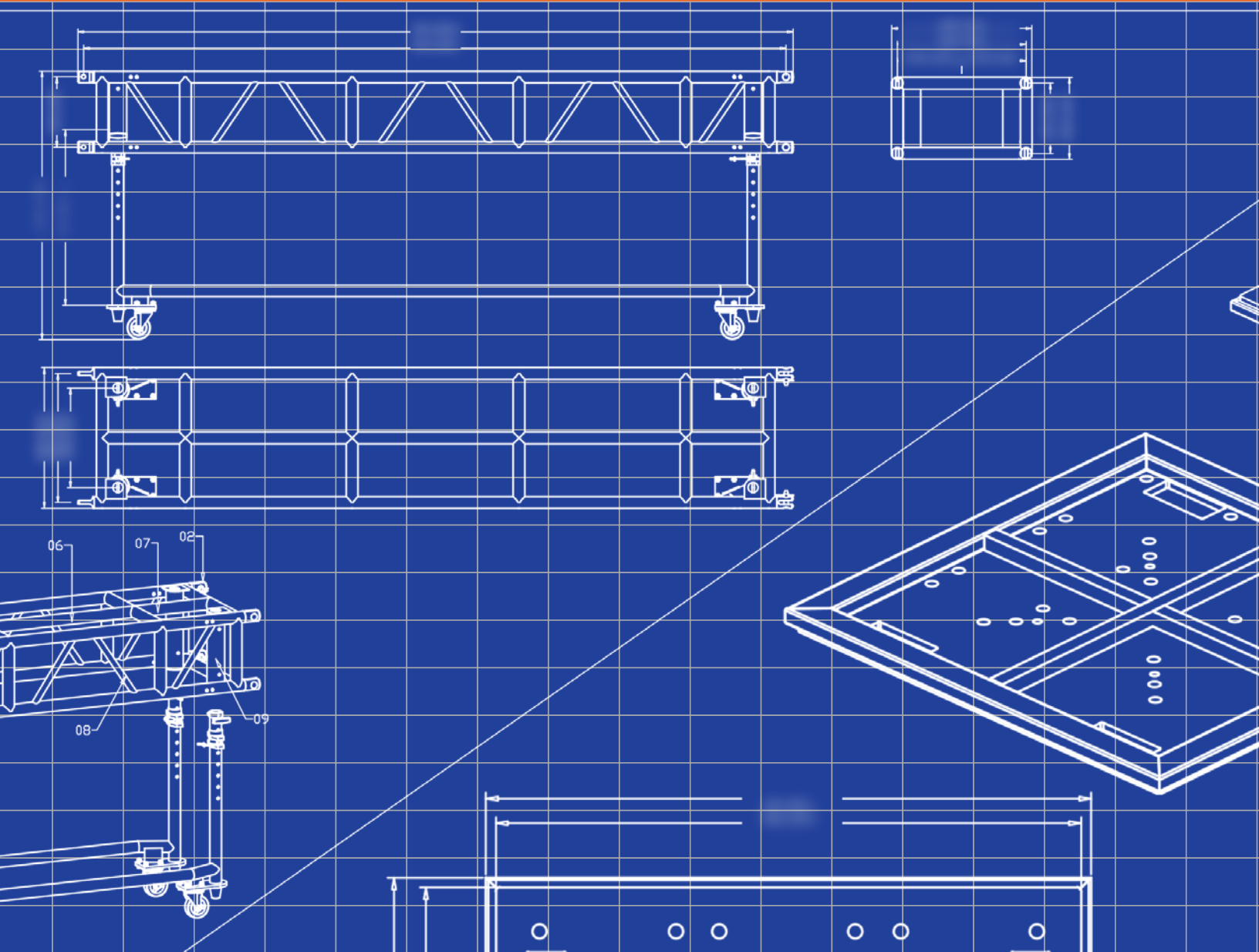
www.ShowSolutions.com



SHOW[®] SOLUTIONS

STRONG STRUCTURAL SUPPORT MADE EASY!

NEW PRODUCT ALERT!



www.ShowSolutions.com

809 West Santa Anita St San Gabriel, CA 91776
Tel: (626) 588- 2527 • Fax (626) 588- 2525

1-1/2" SCHEDULE 40 STEEL FLANGES



FLANGESC40



BP0909-FLANGE

12"x12", 19"x19" BASE PLATES

12"x12" FLAT ALUMINUM PLATE



BP1212-ALU-FLAT
ALUMINUM 12" x 12",
6mm thick plate

12"x12" FLAT STAINLESS STEEL PLATE



BP1212-STEEL-STN-FL
STAINLESS STEEL 12" x 12",
20mm thick plate

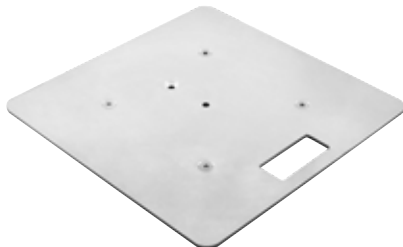
19"x19" FLAT STEEL PLATE



BP1919-STEEL-FLAT-1F
STEEL 19" x 19", 12mm thick
50 lbs. base plate with welded
protruded 1-1/2" schedule 40 flange

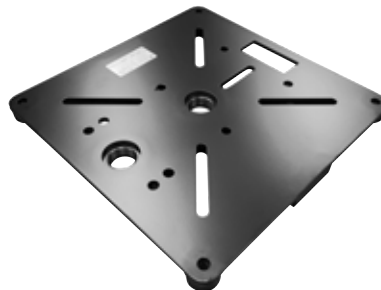
20"x20" BASE PLATES

20"x20" FLAT ALUMINUM PLATE



BP2020-ALU-FLAT
ALUMINUM 20" x 20",
9mm thick plate

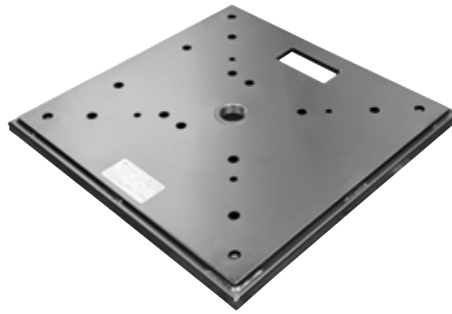
20"x20" THEATRE SERIES ALUMINUM PLATE



BP2020-STEEL-TS-2F
STEEL 20"x20", 9mm thick
top plate with 2 welded
1-1/2" schedule 40 flange

22"X 22" BASE PLATE

22"x 22"x 1" RAISED FRAME
STEEL PLATE

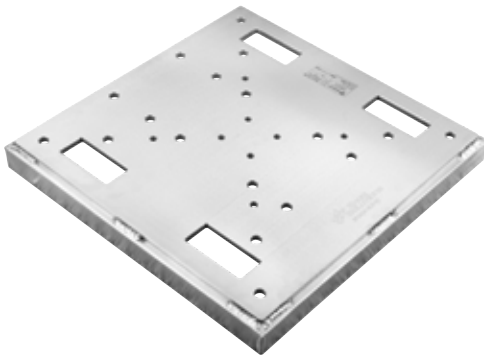


BP2222-STEEL-R1

STEEL 22" x 22", 9mm thick flat plate on a 1" raised frame with 1-1/2" schedule 40 flange

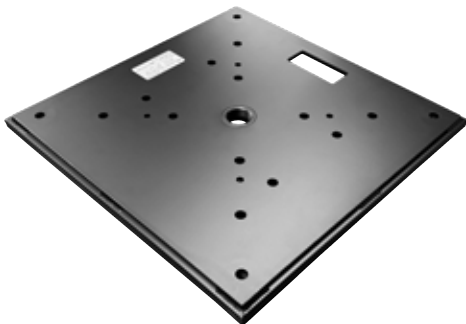
24"x24" BASE PLATES

24"x24" Aluminum



SKU	DESCRIPTION
BP2424-ALU-R1	ALUMINUM 24" x 24", 12mm thick plate on a 1" raised frame
BP 2424-ALU-R2	Aluminum 24" x 24", 12mm thick plate on a 2" raised frame

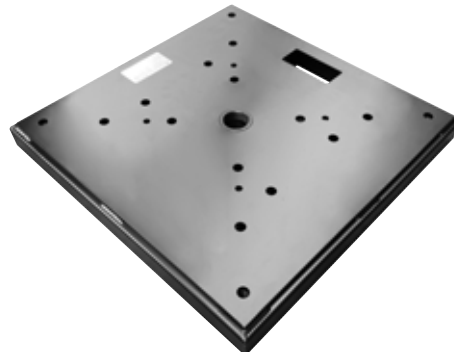
24"x 24" STEEL R1



BP2424-STEEL-R1

Steel 24" x 24" base plate on a 1" raised frame

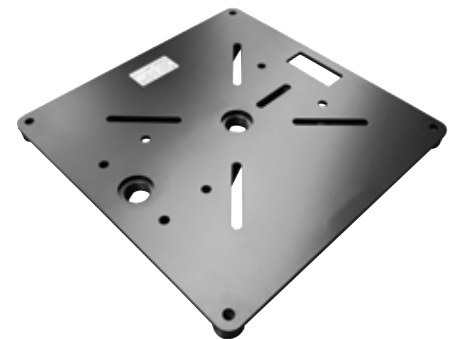
24"x 24" STEEL R2



BP2424-STEEL-R2

Steel 24" x 24" base plate on a 2" raised frame

24"x 24" Base Plate

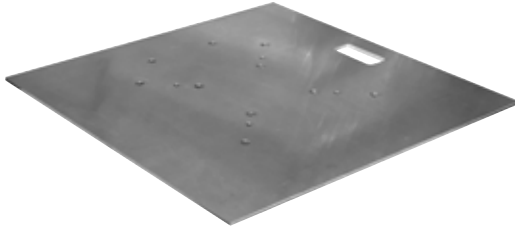


BP2424-STEEL-TS-2F

STEEL 24" x 24", 9mm THICK top plate with 2 welded 1.5" schedule 40 flanges

30" x 30" BASE PLATES

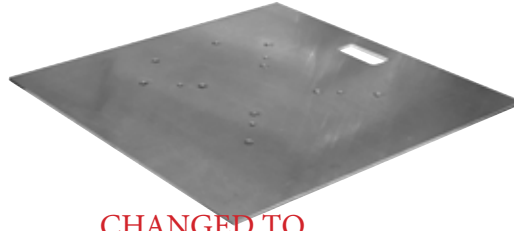
FLAT ALUMINUM



BP3030-ALU-FLAT

Aluminum 30"x30", 9mm thick Flat Plate

FLAT ALUMINUM



CHANGED TO
BLACK

BP3030-ALU-FLATB

Aluminum 30"x30", 9mm thick Flat Plate

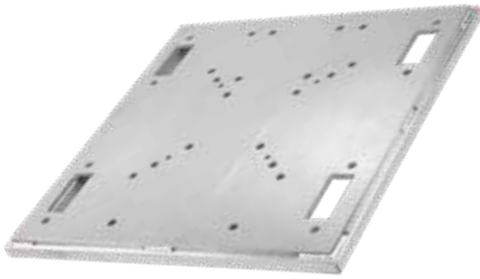
FLAT STEEL



BP3030-STEEL-FLAT

STEEL 30" x 30", 9mm THICK plate with flange mounting holes

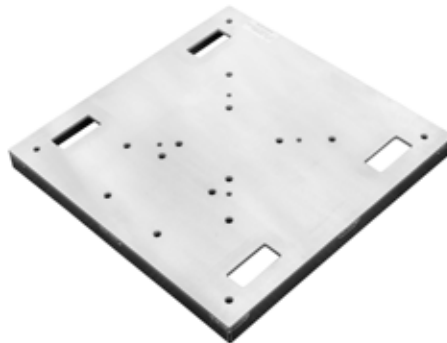
1" RAISED FRAME



BP3030-ALU-R1

Aluminum 30"x30", 12m thick plate on a 1" raised frame

2" RAISED FRAME



BP3030-ALU-R2

Aluminum 30"x30", 12mm thick plate on a 2" raised frame

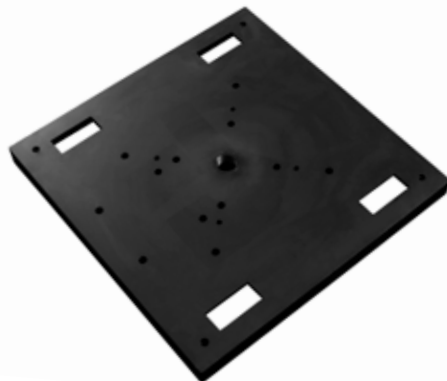
1" RAISED FRAME



BP3030-STEEL-R1

STEEL 30"x30", 9mm thick plate on a 1" Raised frame with 1 welded 1-1/2" schedule 40 flange

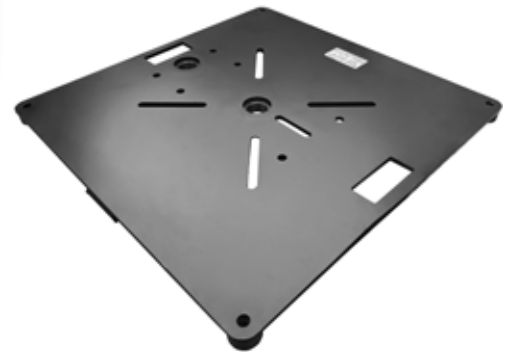
2" RAISED FRAME



BP3030-STEEL-R2

STEEL 30"x30", 9mm thick plate on a 2" Raised frame with 1 welded 1-1/2" schedule 40 flange

THEATRE SERIES

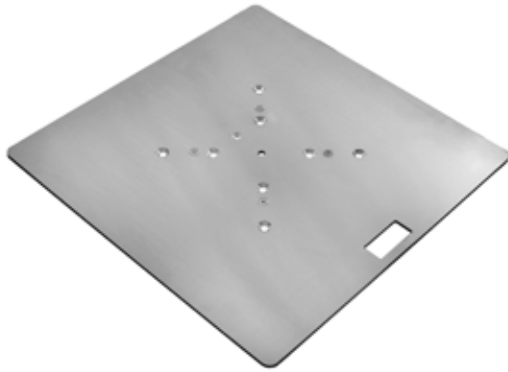


BP3030-STEEL-TS-2F

STEEL 30" x 30", 9mm THICK top plate with 2 welded 1-1/2" schedule 40 flanges

36" x 36" BASE PLATES

FLAT ALUMINUM



BP3636-ALU-09mm-FLAT
Aluminum 36"x36", 9mm THICK
flat base plate

1" RAISED FRAME



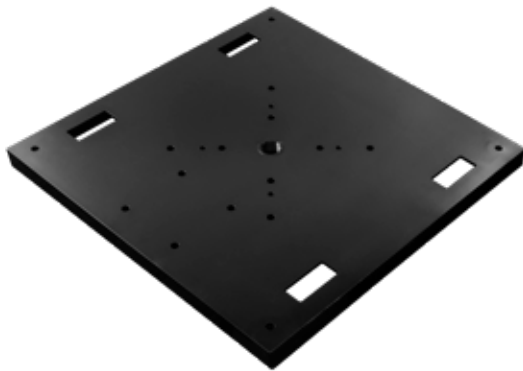
BP3636-ALU-12mm-R1
Aluminum 36"x36", 12mm THICK
top plate on a 1" raised frame

2" RAISED FRAME



BP3636-ALU-12mm-R2
Aluminum 36"x26", 12mm THICK
top plate on a 2" raised frame

36"x36" STEEL



SKU	DESCRIPTION
BP3636-STEEL-09MM-R1	STEEL 36" x 36", 9mm Thick Top Plate on a 1" Raised frame with 1 welded 1-1/2" schedule 40 flange
BP3636-STEEL-09MM-R2	STEEL 36" x 36", 9mm Thick Top Plate on a 2" Raised frame with 1 welded 1-1/2" schedule 40 flange

36"x36" STEEL Flat



BP3636-STEEL-09MM
STEEL 36" x 36", 9mm THICK
flat base plate

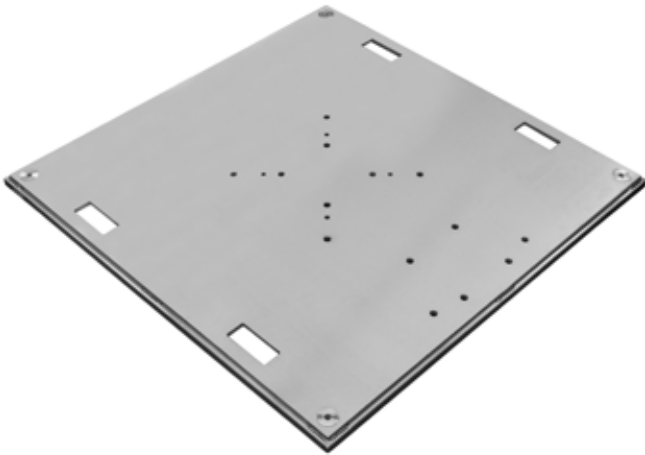
36"x36" STEEL- Theatre series



BP3636-STEEL-TS-2F
STEEL 36" x 36", 9mm THICK top plate with
2 welded 1-1/2" schedule 40 flanges

48" X 48" BASE PLATES

48"x48" Alu R1



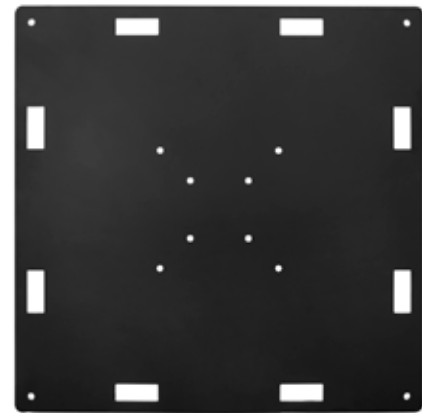
SKU	DESCRIPTION
BP4848-ALU-12mm-R1	Aluminum 48"x48", 12mm THICK top plate on a 1" raised frame
BP4848-ALU-12mm-R2	Aluminum 48"x48", 12mm THICK top plate on a 2" raised frame
BP4848-ALU-06mm-R2	Aluminum 48"x48", 06mm THICK top plate on a 2" raised frame

48"x48" Alu Flat



BP4848-ALU-10mm-FLAT
Aluminum 48"x48", 10mm THICK
flat base plate

48"x48" Steel Flat



BP4848-STEEL-09MM
STEEL 48" x 48", 9mm THICK
flat base plate

48"x48" Steel R1



SKU	DESCRIPTION
BP4848-STEEL-09MM-R1	STEEL 48" x 48", 9mm Thick Top Plate on a 1" Raised frame with 1 welded 1-1/2" schedule 40 flange
BP4848-STEEL-09MM-R2	STEEL 48" x 48", 9mm Thick Top Plate on a 2" Raised frame with 1 welded 1-1/2" schedule 40 flange

20" X 40" BASE PLATES

20"x40" Alu R1



BP2040-ALU-R1

ALUMINUM 20" x 24", 12mm thick flat plate on a 1" raised frame – NATURAL

20"x40" Alu Flat

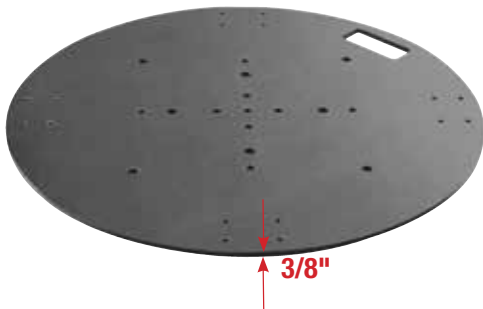


BP2040-ALU-FLAT-B

ALUMINUM 20" x 24", 9mm thick flat plate – BLACK POWDER COATED

30" DIAMETER BASE PLATES

30" DIA STEEL FLAT



BP30DIA-STEEL-FLAT

Steel 30" x 30", 9mm thick plate with flange mounting holes (FABRICATE TO ORDER)

30" DIA STEEL FLAT with wheels



BP30DIA-STEEL-FLATCW

Steel 30" x 30", 9mm thick plate with flange mounting holes with 4 castor wheels (2 WITH BRAKES)

BASE PLATE ACCESSORIES

Base Plate Caster Kit



BPTHCASTERKIT

Four 3.5" caster 5/8"x11 threaded stem for theatre base plate casters (2 with brakes)

Base Plate Caster



BPCASTER03BRK 3" Caster with brakes

Base Plate Feet



BPFEET-5811 BPFEET-M Leveling feet. 4 pcs Leveling feet 5/8-11 Thread Metric

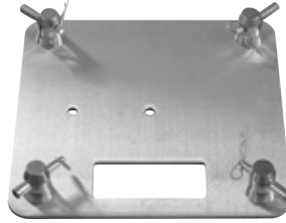
BASE PLATES for 290mm CONICAL box truss

12"x12" CONICAL PLATE WITH CONNECTORS



BP1212-STEEL-STN-CT290-FL
12" x 12" Stainless Steel Plate
(including 12" box truss bolt pattern)

12"x12" CONICAL PLATE



BP1212-ALU-CT290-FLAT
12" x 12" Aluminum Plate for 290 mm x 290 mm Box Truss

20"x20" CONICAL PLATE



BPSCT290-2020-ALU-FLAT
20" x 20" Aluminum Plate for 290 mm x 290 mm Box Truss

30"x30" CONICAL PLATE



SCT290-BP30
BPSCT-3030-ALU-FLAT
30" x 30" Aluminum Plate for 290 mm x 290 mm Box Truss

30"x30" CONICAL PLATE



SCT290-BP30HD
BPSCT-3030-ALU-FLAT-HD
30" x 30" Aluminum Plate for 290 mm x 290 mm Box Truss

36"x36" CONICAL PLATE



SCT290-BP36
BPSCT-3636-ALU-FLAT
36" x 36" Aluminum Plate for 290 mm x 290 mm Box Truss

BASE PLATES CARTS

22.5" Truck Pack Base Plate Cart for 1" Thick Raised Frame Plates



SKU	DESCRIPTION
BPCART3030-8-R1	Base Plate Cart for 30"x30" 1" RAISED FRAME Base Plates (Holds 8 Plates)
BPCART3636-6-R1	Base Plate Cart for 36"x36" 1" RAISED FRAME Base Plates (Holds 6 Plates)
BPCART3636-8-R1	Base Plate Cart for 36"x36" 1" RAISED FRAME Base Plates (Holds 8 Plates)
BPCART4848-6-R1	Base Plate Cart for 48"x48" 1" RAISED FRAME Base Plates (Holds 6 Plates)

BASE PLATE CARTS

**22.5" Wide Cart
for 2" Thick Plates**



SKU	DESCRIPTION
BPCART3030-6-R2	Base Plate Cart for 30"x30" 2" RAISED FRAME Base Plates (Holds 6 Plates)
BPCART3636-6-R2	Base Plate Cart for 36"x36" 2" RAISED FRAME Base Plates (Holds 6 Plates)
BPCART4848-4-R2	Base Plate Cart for 48"x48" 2" RAISED FRAME Base Plates (Holds 4 Plates)

**30" Wide Cart
for 1" Thick Plates**



SKU	DESCRIPTION
BPCART3030-8-R1-30	Base Plate Cart for 30"x30" 1" RAISED FRAME ALUMINUM Base Plates (Holds 8 Plates), Heavy Duty
BPCART3636-8-R1-30	Base Plate Cart for 36"x36" 1" RAISED FRAME ALUMINUM Base Plates (Holds 8 Plates), Heavy Duty
BPCART4848-6-R1-30	Base Plate Cart for 48"x48" 1" RAISED FRAME ALUMINUM Base Plates (Holds 6 Plates), Heavy Duty

**30" Wide Cart
for 2" Thick Plates**



SKU	DESCRIPTION
BPCART3030-8-R2-30	Base Plate Cart for 30"x30" 2" RAISED FRAME ALUMINUM Base Plates (Holds 8 Plates), Heavy Duty
BPCART3636-8-R2-30	Base Plate Cart for 36"x36" 2" RAISED FRAME ALUMINUM Base Plates (Holds 8 Plates), Heavy Duty
BPCART4848-6-R2-30	Base Plate Cart for 48"x48" 2" RAISED FRAME ALUMINUM Base Plates (Holds 6 Plates), Heavy Duty

BASE PLATES CARTS 22.5" WIDE



1" THICK	DESCRIPTION
BPCART3030-8-R1-22	Base Plate Cart holds 8 30"x30" 1" RAISED FRAME Base Plates
BPCART3636-8-R1-22	Base Plate Cart holds 8 36"x36" 1" RAISED FRAME Base Plates
BPCART4848-6-R1-22	Base Plate Cart holds 8 48"x48" 1" RAISED FRAME Base Plates

2" THICK	DESCRIPTION
BPCART3030-6-R2-22	Base Plate Cart holds 6 30"x30" 2" RAISED FRAME Base Plates
BPCART3636-6-R2-22	Base Plate Cart holds 6 36"x36" 2" RAISED FRAME Base Plates
BPCART4848-6-R2-22	Base Plate Cart holds 6 48"x48" 2" RAISED FRAME Base Plates

BASE PLATES CARTS 30" WIDE



1" THICK	DESCRIPTION
BPCART3030-8-R1-30	Base Plate Cart for 30"x30" 1" RAISED FRAME ALUMINUM Base Plates (Holds 8 Plates), Heavy Duty
BPCART3636-8-R1-30	Base Plate Cart for 36"x36" 1" RAISED FRAME ALUMINUM Base Plates (Holds 8 Plates), Heavy Duty
BPCART4848-6-R1-30	Base Plate Cart for 48"x48" 1" RAISED FRAME ALUMINUM Base Plates (Holds 6 Plates), Heavy Duty

2" THICK	DESCRIPTION
BPCART3030-8-R2-30	Base Plate Cart for 30"x30" 2" RAISED FRAME ALUMINUM Base Plates (Holds 8 Plates), Heavy Duty
BPCART3636-8-R2-30	Base Plate Cart for 36"x36" 2" RAISED FRAME ALUMINUM Base Plates (Holds 8 Plates), Heavy Duty
	Base Plate Cart for 48"x48"



TRUSS SPACERS

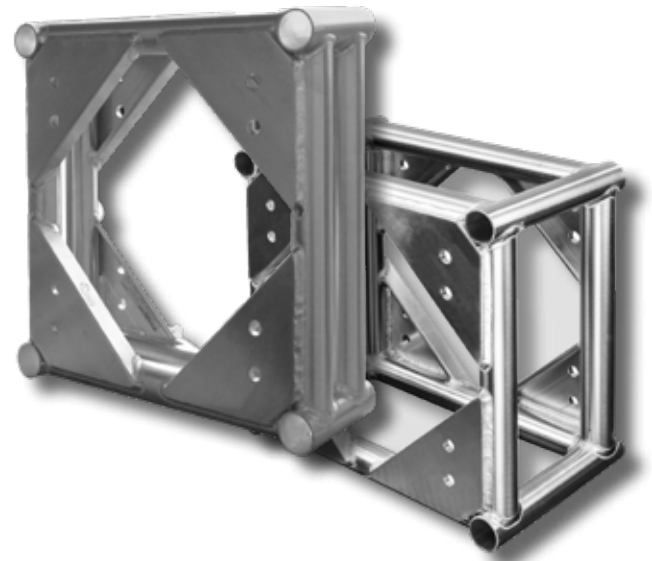
12" Aluminum Truss Spacers

SKU	DESCRIPTION
ST1212-0003	0.375" Thick 12"x 12" box truss spacer
ST1212-0005	0.5" Thick 12"x 12" box truss spacer
ST1212-001	1" Thick 12"x 12" box truss spacer
ST1212-002	2" Long 12"x 12" box truss spacer
ST1212-003	3" Long 12"x 12" box truss spacer
ST1212-004	4" Long 12"x 12" box truss spacer
ST1212-005	5" Long 12"x 12" box truss spacer
ST1212-006	6" Long 12"x 12" box truss spacer
ST1212-007	7" Long 12"x 12" box truss spacer
ST1212-008	8" Long 12"x 12" box truss spacer
ST1212-010	10" Long 12"x 12" box truss spacer



20.5" Aluminum Truss Spacers

SKU	DESCRIPTION
ST2020-003	3" long, 20.5" x 20.5" box truss spacer
ST2020-0035	3.5" long, 20.5" x 20.5" box truss spacer
ST2020-004	4" long, 20.5" x 20.5" box truss spacer
ST2020-006	6" long, 20.5" x 20.5" box truss spacer
ST2020-007	7" long, 20.5" x 20.5" box truss spacer
ST2020-008	8" long, 20.5" x 20.5" box truss spacer



CONVERSION PLATE AND SPACER

Aluminum Conversion Plate

20.5" TO 12" and 290mm conversion plate
(16.5" x 16.5" x 1/2")



CONVPLATE-20-12-290

Aluminum Conversion Spacer

20.5" to 12" conversion spacer
(20.5" x 20.5" x 6")



CONVPLATE-20-12-006

TRUSS TOPPERS

TRUSS MOUNT



Show Solutions truss mounts are the perfect setup solution for moving heads, special effects, lekos, and projectors. Those are some examples that can be suspended from these ingenious rigging accessories. Top mounts may be bolted on either 12" x 12" or 290mm x 290mm truss. Your choice of 12", 24", 36", 48" and 60" tube length in 2" outer diameter x 1/4" wall thickness.

Available in Silver and Black

TMOUNT-B2-24 (24" long bar)

TMOUNT-B2-36 (36" long bar)

TMOUNT-B2-48 (48" long bar)

TMOUNT-B2-48-B (48" long bar - Black)

TMOUNT-B2-60 (60" long bar)

WAGON WHEEL



Our wagon wheel is an excellent way to utilize the extra space on the top or the sides of truss setups to mount lighting fixtures, projectors or other items like decorative props and drapes.

Compatible with 290 mm x 290 mm, 12" x 12", 20.5" x 20.5" trusses.

Features:

6061-T6 aluminum finish

2" O.D. x 1/8"

SPW48-SCT290

SPW48-SCT290-B

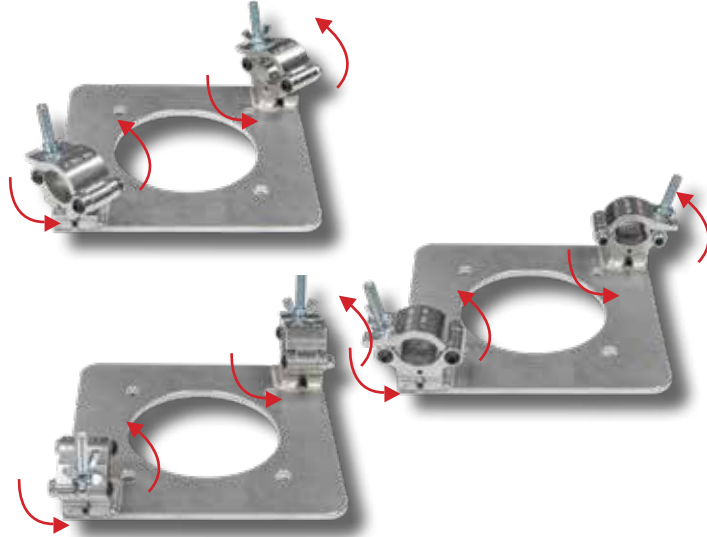
TRUSS TOPPERS

TCP12-2C-CENTER-FIXED



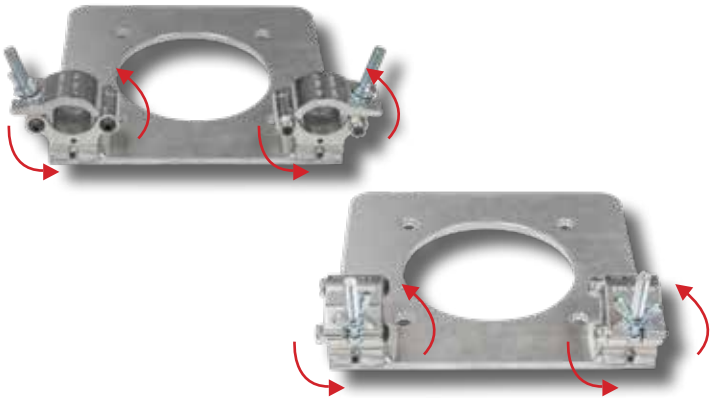
SKU	DESCRIPTION
TCP12-2C-CENTER-FIXED	12"x12" truss plate with two Pro Half Couplers-fixed

TCP12-2C-DIAG-S



SKU	DESCRIPTION
TCP12-2C-DIAG-S	12"x12" truss plate with two Swivel Pro Half Couplers welded at diagonal corners

TCP12-2C-CORNER-S



SKU	DESCRIPTION
TCP12-2C-CORNERS-S	12"x12" truss plate with two Swivel Pro Half Couplers welded at 2 corners

SKU:	Description:
TCP12-2C-CENTER-S	12"x12" truss plate with two swivel pro half couples welded at 2 corners
TCP12-4C-CORNERS-S	12"x12" truss plate with four swivel pro half couplers welded at 4 corners

TCP20-2C-CENTER-FIXED



SKU	DESCRIPTION
TCP20-2C-CENTER-FIXED	20"X20" truss plate with two fixed Pro Half Couplers welded in the center

CLAMPS and COUPLERS

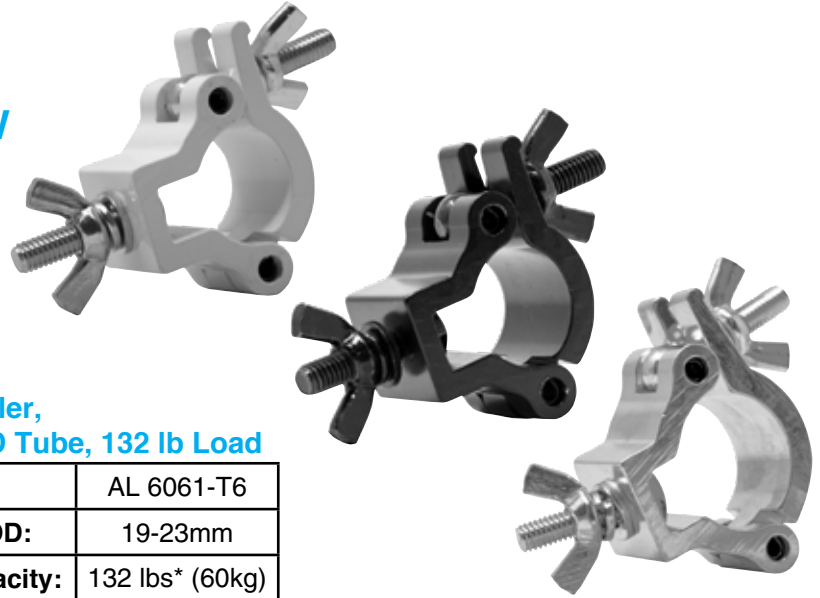
Model:
LACUPERCLAMP



**Odyssey Super Clamp,
Fits 2" Tube, 55 lb Load, Black**

Material:	AI ADC12
Fits Tubes OD:	25-52mm
Max Load Capacity:	55 lbs* (25kg)

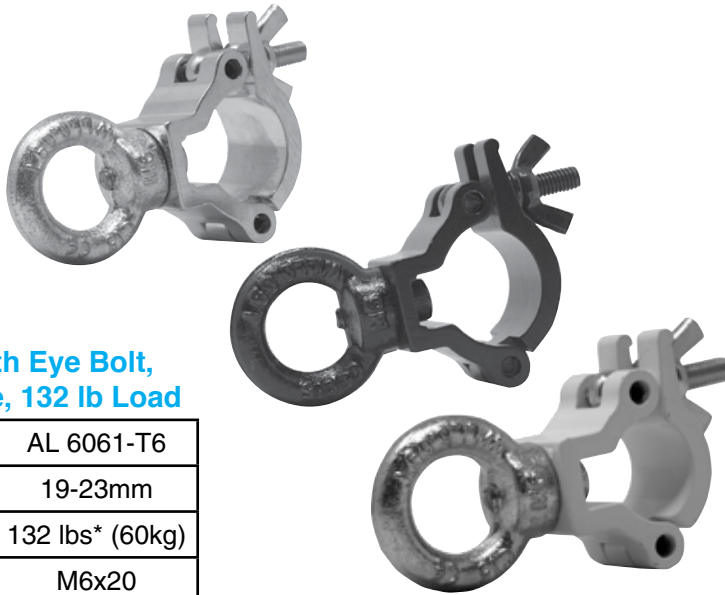
Model:
**LAC25XS
LAC25XSB
LAC25XSW**



**3/4" Half Coupler,
Fits 0.75-1" OD Tube, 132 lb Load**

Material:	AL 6061-T6
Fits Tubes OD:	19-23mm
Max Load Capacity:	132 lbs* (60kg)

Model:
**LACE25XS
LACE25XSB
LACE25XSW**



**3/4" Half Coupler with Eye Bolt,
Fits 0.75-1" OD Tube, 132 lb Load**

Material:	AL 6061-T6
Fits Tubes OD:	19-23mm
Max Load Capacity:	132 lbs* (60kg)
Bolt	M6x20

Model:
LACP50R / LACP50RB



**Pro Half Coupler with Round Neck
Countersunk Bolt,
Fits 2" Tube, 1100 lb Load**

Material:	AL 6061-T6
Fits Tubes OD:	38-52mm
Max Load Capacity:	1102 lbs* (500kg)
Bolt	M10x35

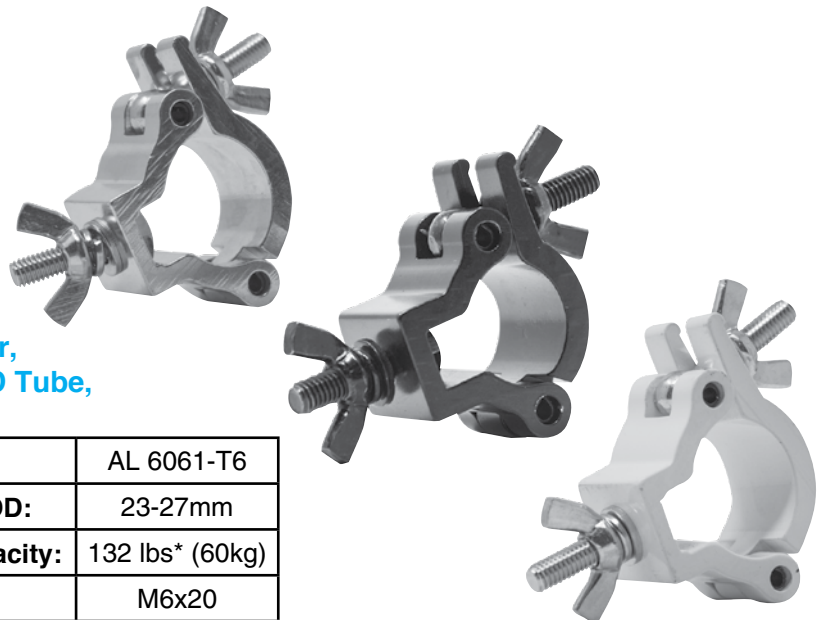
Model:
LACP50S / LACP50SB



**Pro Half Coupler with Square
Neck Countersunk Bolt,
Fits 2" Tube, 1100 lb Load**

Material:	AL 6061-T6
Fits Tubes OD:	38-52mm
Max Load Capacity:	1102 lbs* (500kg)
Bolt	M10x35

Model:
**LAC25S
LAC25SB
LAC25SW**



**1" Half Coupler,
Fits 0.75-1" OD Tube,
132 lb Load**

Material:	AL 6061-T6
Fits Tubes OD:	23-27mm
Max Load Capacity:	132 lbs* (60kg)
Bolt	M6x20

CLAMPS and COUPLERS

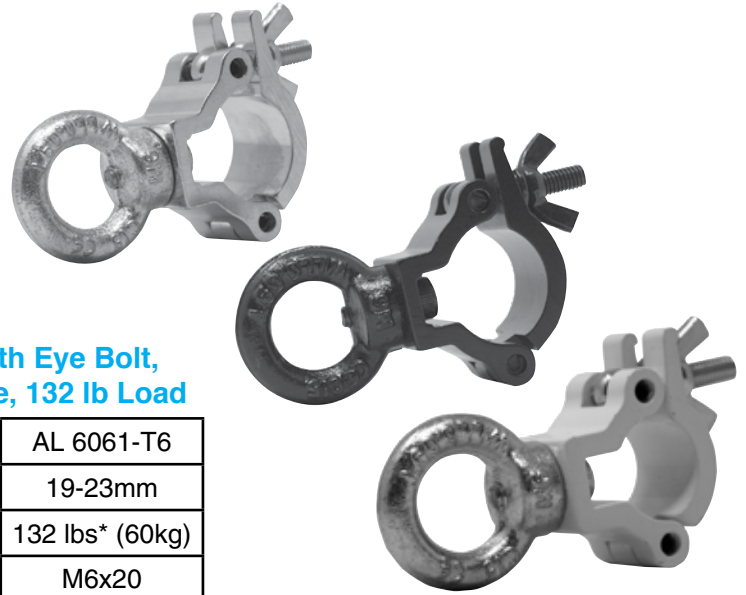
Model:
LACP50L



Pro Half Coupler with Large Wing Nut, Fits 2" Tube, 1100 lb Load, Silver

Material:	AL 6061-T6
Fits Tubes OD:	38-52mm
Max Load Capacity:	1102 lbs* (500kg)
Bolt	M10x35

Model:
LACE25S
LACE25SB
LACE25SW



3/4" Half Coupler with Eye Bolt, Fits 0.75-1" OD Tube, 132 lb Load

Material:	AL 6061-T6
Fits Tubes OD:	19-23mm
Max Load Capacity:	132 lbs* (60kg)
Bolt	M6x20

Model:
LACPE50 / LACPE50B



Pro Half Coupler with Eye Bolt, Fits 2" Tube, 1100 lb Load

Material:	AL 6061-T6
Fits Tubes OD:	38-52mm
Max Load Capacity:	1102 lbs* (500kg)
Bolt	M12

Model:
LACP30R / LACP30RB



Pro Half Coupler with Round Neck Countersunk Bolt, Fits 2" Tube, 660 lb Load

Material:	AL 6061-T6
Fits Tubes OD:	38-52mm
Max Load Capacity:	661 lbs* (300kg)
Bolt	M10x35

Model:
LACP30S / LACP30SB



Pro Half Coupler with Square Neck Countersunk Bolt, Fits 2" Tube, 660 lb Load

Material:	AL 6061-T6
Fits Tubes OD:	38-52mm
Max Load Capacity:	661 lbs* (300kg)
Bolt	M10x35

Model:
LACPE30 / LACPE30B



Pro Half Coupler with Eye Bolt, Fits 2" Tube, 660 lb Load

Material:	AL 6061-T6
Fits Tubes OD:	38-52mm
Max Load Capacity:	661 lbs* (300kg)
Bolt	M12

Model:
LACMS30 / LACMS30B



Medium-Duty Coupler with Standard Wing Nut, Fits 1.9-2" OD Tube, 165 lb Load

Material:	AL 6061-T6
Fits Tubes OD:	48-52mm
Max Load Capacity:	165 lbs* (75kg)
Bolt	M10x30

Model:
LACML30 / LACML30B



Medium-Duty Coupler with Large Wing Nut, Fits 1.9-2" OD Tube, 165 lb Load

Material:	AL 6061-T6
Fits Tubes OD:	48-52mm
Max Load Capacity:	165 lbs* (75kg)
Bolt	M10x30

CLAMPS and COUPLERS

Model:

CSC120050 / CSC120050B

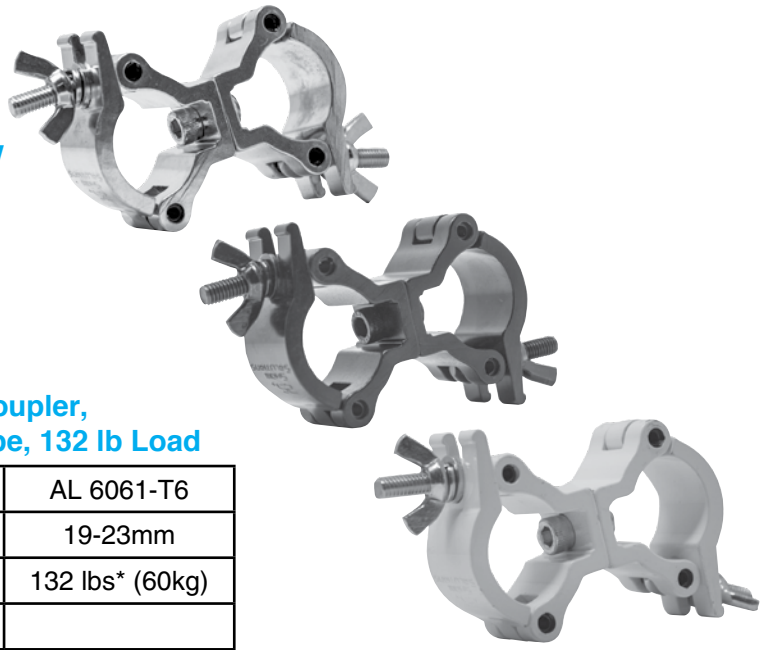


**2" Wide Coupler, Fits 2" Tube,
1650 lb Load Capacity**

Material:	AL 6061-T6
Fits Tubes OD:	48-52mm
Max Load Capacity:	1650 lbs* (750kg)
Bolt	M12x40

Model:

**LACSD25XS
LACSD25XSB
LACSD25XSW**

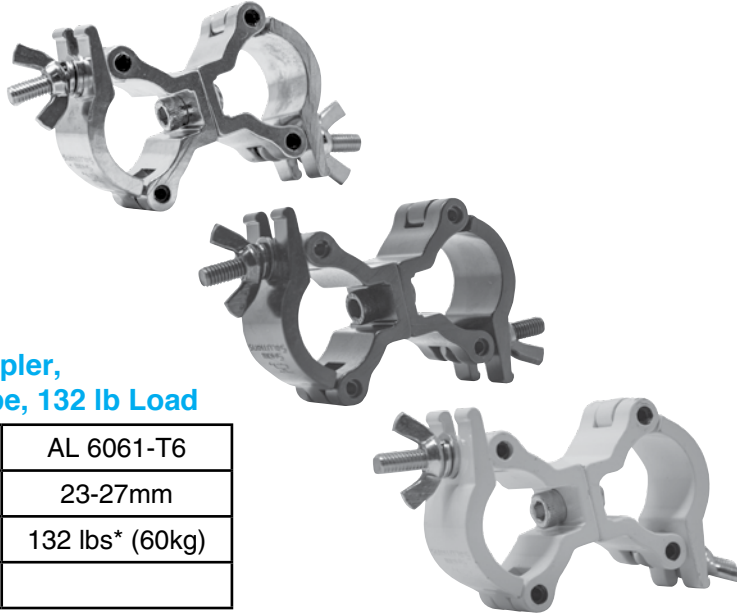


**3/4" Swivel Dual Coupler,
Fits 0.75-1" OD Tube, 132 lb Load**

Material:	AL 6061-T6
Fits Tubes OD:	19-23mm
Max Load Capacity:	132 lbs* (60kg)
Bolt	

Model:

**LACSD25S
LACSD25SB
LACSD25SW**



**1" Swivel Dual Coupler,
Fits 0.75-1" OD Tube, 132 lb Load**

Material:	AL 6061-T6
Fits Tubes OD:	23-27mm
Max Load Capacity:	132 lbs* (60kg)
Bolt	

Model:

LACSDP50 / LACSDP50B



**Pro Swivel Dual Coupler,
Fits 2" Tube, 1100 lb Load**

Material:	AL 6061-T6
Fits Tubes OD:	38-52mm
Max Load Capacity:	1102 lbs* (500kg)
Bolt	

Model:

LACSDP30 / LACSDP30B



**Pro Swivel Dual Coupler,
Fits 2" Tube, 660 lb Load**

Material:	AL 6061-T6
Fits Tubes OD:	38-52mm
Max Load Capacity:	661 lbs* (300kg)
Bolt	

Model:

CSC122050 / CSC122050B



**Swivel Dual Half Coupler,
Fits 2" Tube, 1650 lb Load**

Material:	AL 6061-T6
Fits Tubes OD:	48-52mm
Max Load Capacity:	1653 lbs* (750kg)
Bolt	

Model:

LACQ30 / LACQ30B



**Pro Quick Rig Coupler,
Fits 2" Tube, 330 lb Load**

Material:	AL 6061-T6
Fits Tubes OD:	38-52mm
Max Load Capacity:	330 lbs* (150kg)
Bolt	M12x35

CLAMPS and COUPLERS

Model:
LACT28 / LACT28B



Pro Coupler Trigger Clamp, Fits 2" Tube, 330 lb Load

Material:	AL 6061-T6
Fits Tubes OD:	48-52mm
Max Load Capacity:	330 lbs* (150kg)
Bolt	M10x35

Model:
LACCLAMP2



Pro C-clamp, Fits 2" Tube, 330 lb Load, Black

Material:	AL 6061-T6
Fits Tubes OD:	45-52mm
Max Load Capacity:	331 lbs* (150kg)
Bolt	

Model:
**LACTENTCLAMP
LACTENTCLAMPB**



Odyssey Tent Clamp, 220 lb Load

Material:	STEEL
Max Load Capacity:	220 lbs* (100kg)

Model:
LACP NEW369



?

Material:	?
Fits Tubes OD:	?mm
Max Load Capacity:	? lbs* (?kg)
Bolt	

Model:
LACPB NEW221



?

Material:	?
Fits Tubes OD:	?mm
Max Load Capacity:	? lbs* (?kg)
Bolt	

Model:
LACP NEW223



?

Material:	?
Fits Tubes OD:	?mm
Max Load Capacity:	? lbs* (?kg)
Bolt	

Model:
LACTALON30B-1-2



Odyssey Pro Mega Claw, Fits 2" Tube, 660 lb Load Capacity, Black

Material:	AL 6061-T6
Fits Tubes OD:	45-52mm
Max Load Capacity:	660 lbs* (300kg)
Bolt	1/2-13x25 Hex

Model:
LACTALON50B



Odyssey Pro Mega Claw Clamp, Fits 2" Tube, 1102 lb Load, Black

Material:	AL 6061-T6
Fits Tubes OD:	45-52mm
Max Load Capacity:	1102 lbs* (500kg)
Bolt	1/2-13x25 Hex

Model:
LACP / LACPB



G-clamp, Fits 2" Tube, 330 lb Load

Material:	AL ADC12
Fits Tubes OD:	25-52mm
Max Load Capacity:	330 lbs* (150kg)

CLAMPS / COUPLERS / SIDE ARMS

Model:
LACT282 / LACT282B



**Odyssey Dual Pro Coupler
Trigger Clamp, Fits 1.9-2" Tube,
330 lb Load**

Material:	AL 6061-T6
Fits Tubes OD:	48-52mm
Max Load Capacity:	330 lbs* (150kg)

Model:
**269P126-SM10D/
269B126ZY-SM10D**



**35mm_compact_trigger_
clamps_20251113154320**

Material:	AL 6061-T6
Fits Tubes OD:	35-52mm
Max Load Capacity:	100kg

Model:
**240P130-DM10D /
240B130ZY-DM10D**



**35mm_ultra_compact_
clamps_20251113154437**

Material:	AL 6061-T6
Fits Tubes OD:	35-40mm
Max Load Capacity:	75kg

Model:
**235P130-DM10D /
235B130ZY-DM10D**



**35mmOD_trigger_
clamps_20251113154229**

Material:	AL 6061-T6
Fits Tubes OD:	35-40mm
Max Load Capacity:	150kg



**10" center to center aluminum tube couplers
designed for suspending tubes or trussing**

Material:	Al-6061-T6
Fits Tubes OD:	1 1/2" schedule 40 pipe or 2" OD tubing

BOLTS

BOLTS

Choose from our selection of Zinc Yellow Grade 8 bolts from 2" to 6".
In stock and ready to rock!



SKU	Length	Thread Size/ Coarse	Head Size	Package Qty:
ABZY85820PK	2"	5/8" - 11	15/16"	4
ABZY85830PK	3"	5/8" - 11	15/16"	4
ABZY85835PK	3.5"	5/8" - 11	15/16"	4
ABZY85840PK	4"	5/8" - 11	15/16"	4
ABZY85845PK	4.5"	5/8" - 11	15/16"	4
ABZY85850PK	5"	5/8" - 11	15/16"	4
ABZY85855PK	5.5"	5/8" - 11	15/16"	4

TRUSS STACKERS



Truss Stackers

SKU	QTY:	DESCRIPTION
TS12X2	8	Truss Stackers for 2 x 12" truss

SPEAKER TRUSS MOUNT

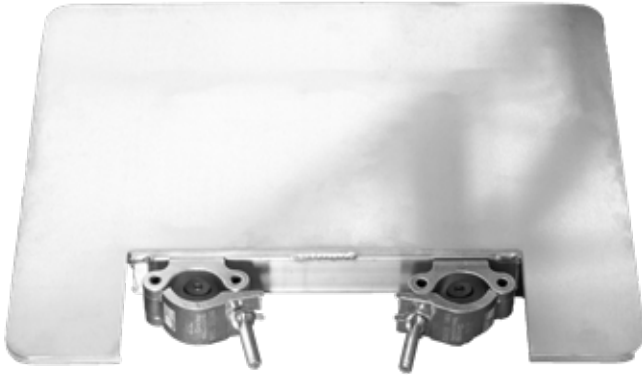


Speaker Truss Mount

SKU	Description
	Fixed Speaker Mount

TRUSS SHELVES

Truss Shelves



SKU	FOR TRUSS SIZE	SHELF SIZE
trusshelf122113	12" x 12"	21 1/2" x 13"
trusshelf203123	20" x 20"	34 1/4" x 24 1/2"

U-FORM™

VERTICAL U-FORM™ GRID

CONICLE TRUSSING, DESIGNED
TO BE HUNG OR MOUNTED IN
VERTICAL FASHION



SIDE ARMS

Model:
SIDEARM15020



**19.5" (500 mm) Long SWL 150 lbs
Single Clamp Side Arm**

Material:	Al-6061-T6
Fits Tubes OD:	38-52mm (1.5" - 2")
Max Load Capacity:	176 lbs (80 kg)

Model:
SIDEARM23020



**19.5" (500 mm) Long SWL 250 lbs
2x Quick Clamps Side Arm**

Material:	Al-6061-T6
Fits Tubes OD:	38-52mm (1.5" - 2")
Max Load Capacity:	250 lbs (113 kg)

Model:
SIDEARM25026



?

Material:	Al-6061-T6
Fits Tubes OD:	1.5" - 2.4"
Max Load Capacity:	?

ANGLE BLOCKS

Curved Angle Blocks



SKU	DESCRIPTION	Fits
AB12-030	30 Degree Angle Block	12" x 12" Truss
AB12-030-B	30 Degree Angle Block Black	12" x 12" Truss
AB12-045	45 Degree Angle Block	12" x 12" Truss
AB12-045-B	45 Degree Angle Block Black	12" x 12" Truss

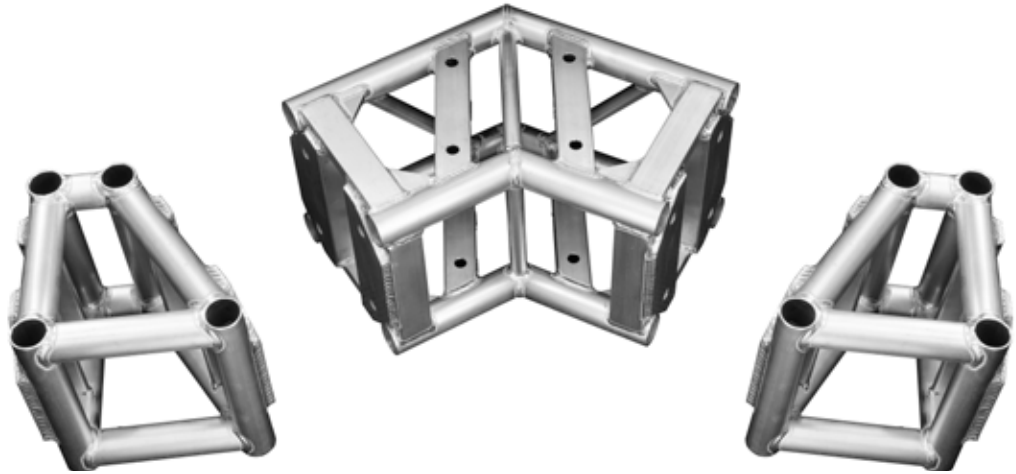
TRUSS DOLLIES

24"x48" STEEL AND ALUMINUM TRUSS DOLLIES



PITCHED ROOF SYSTEM

Pitched Roof System



Show Solutions, Inc 809 W. Santa Anita St. San Gabriel, CA 91776 | Tel: 626.588.2527 | Fax: 626.588.2525 | www.ShowSolutions.com

TRUSS PICKS

**12" Truss Pick with
Threaded Rod**



TRUSSPICK12THRD

TRUSSPICK12THRDB